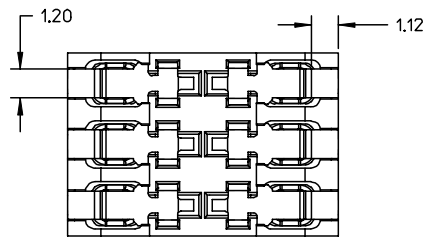
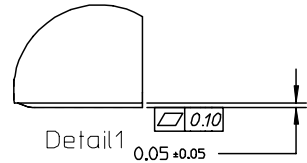
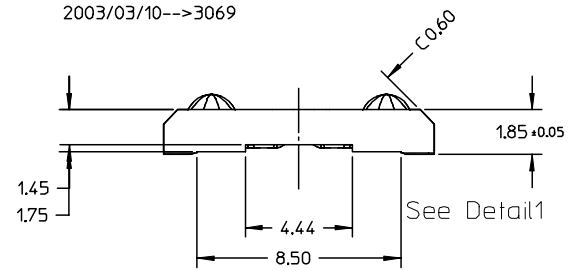
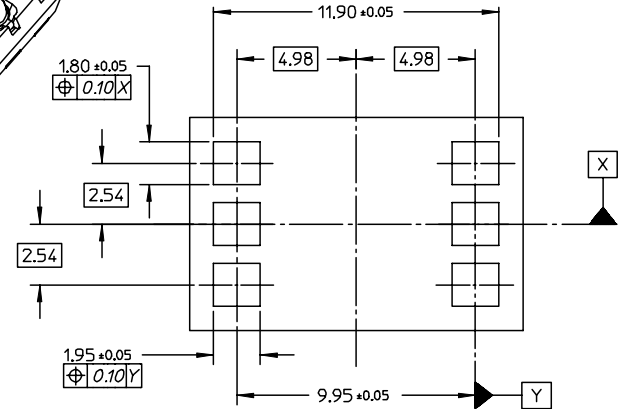
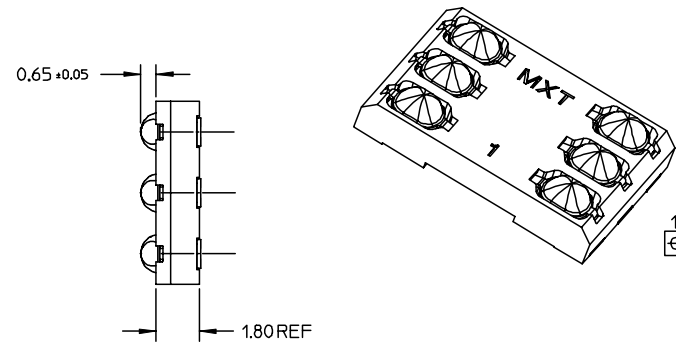
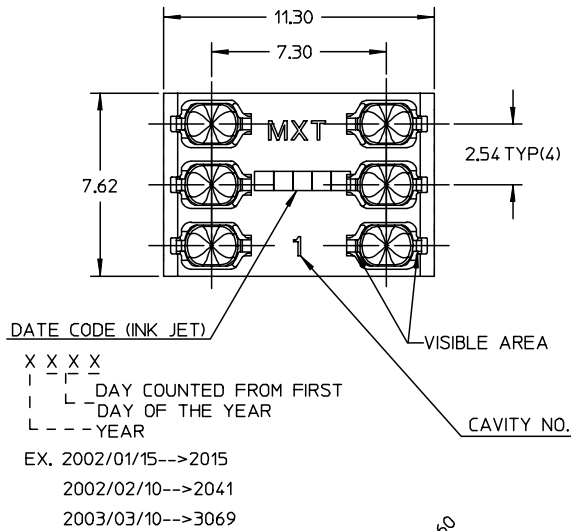


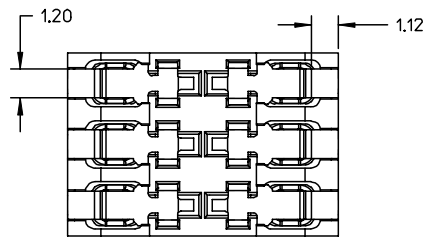
- NOTES:
- MATERIAL:  
HOUSING: HIGH TEMPERATURE PLASTIC, GLASS FILLED,UL94V-0  
TERMINAL:COPPER ALLOY
  - PLATING:  
SIM CARD CONTACT AREA PLATING: 30u" MIN GOLD OVER 50u"MIN NICKEL PLATING  
PCB SOLDERING AREA PLATING:120u" MIN TIN-LEAD OVER 50u"MIN NICKEL PLATING  
VISIBLE AREA PLATING: GOLD FLASH OVER 50u" MIN NICKEL PLATING
  - PACKAGING:TAPE REEL
  - PRODUCT SPECIFICATION:PS-67687-001



EC NO: SH2004-0006 DRWN: SSUN 2003/07/29 CHK: CHIK APPR: SHUANG 2003/07/29	QUALITY SYMBOLS ▽ - 0 ∇ - 0	GENERAL TOLERANCES (UNLESS SPECIFIED)		SCALE 5:1	DESIGN UNITS METRIC	THIRD ANGLE PROJECTION	REVISE ON CAD ONLY	
		mm	INCH	DIMENSION STYLE MM ONLY		TITLE SIM CARD CONNECTOR SALES DRAWING		
		4 PLACES ± ---	± ---	DRAWN BY SSUN	DATE 2002/07/30	MOLEX INCORPORATED		
		3 PLACES ± ---	± ---	CHECKED BY LZHAO	DATE 2002/07/30	MATERIAL NO. 676871801	DOCUMENT NO. SD-67687-301	SHEET NO. 1 OF 1
		2 PLACES ± 0.2	± ---	APPROVED BY SAMHUANG	DATE 2002/07/30	THIS DRAWING CONTAINS INFORMATION THAT IS PROPRIETARY TO MOLEX INCORPORATED AND SHOULD NOT BE USED WITHOUT WRITTEN PERMISSION		
		1 PLACE ± 0.25	± ---					
		ANGULAR ± 3 °						
		DRAFT WHERE APPLICABLE MUST REMAIN WITHIN DIMENSIONS						



- NOTES:
- MATERIAL:  
HOUSING: HIGH TEMPERATURE PLASTIC, GLASS FILLED,UL94V-0  
TERMINAL:COPPER ALLOY
  - PLATING:  
SIM CARD CONTACT AREA PLATING: 30u" MIN GOLD OVER 50u"MIN NICKEL PLATING  
PCB SOLDERING AREA PLATING:120u" MIN TIN-LEAD OVER 50u"MIN NICKEL PLATING  
VISIBLE AREA PLATING: GOLD FLASH OVER 50u" MIN NICKEL PLATING
  - PACKAGING:TAPE REEL
  - PRODUCT SPECIFICATION:PS-67687-001



EC NO: SH2004-0006 DRWN: SSUN 2003/07/29 CHK: CHIK APPR: SHUANG 2003/07/29	QUALITY SYMBOLS ▽ - 0 ∇ - 0	GENERAL TOLERANCES (UNLESS SPECIFIED)		SCALE 5:1	DESIGN UNITS METRIC	THIRD ANGLE PROJECTION	REVISE ON CAD ONLY	
		mm	INCH	DIMENSION STYLE MM ONLY		TITLE SIM CARD CONNECTOR SALES DRAWING		
		4 PLACES ± ---	± ---	DRAWN BY SSUN	DATE 2002/07/30	MOLEX INCORPORATED MATERIAL NO. 676871801 DOCUMENT NO. SD-67687-301 SHEET NO. 1 OF 1		
		3 PLACES ± ---	± ---	CHECKED BY LZHAO	DATE 2002/07/30			
2 PLACES ± 0.2	± ---	APPROVED BY SAMHUANG	DATE 2002/07/30	THIS DRAWING CONTAINS INFORMATION THAT IS PROPRIETARY TO MOLEX INCORPORATED AND SHOULD NOT BE USED WITHOUT WRITTEN PERMISSION				
1 PLACE ± 0.25	± ---	DRAFT WHERE APPLICABLE MUST REMAIN WITHIN DIMENSIONS						