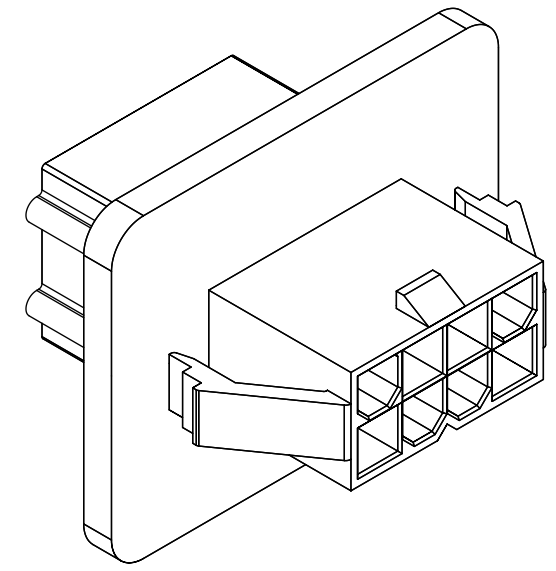
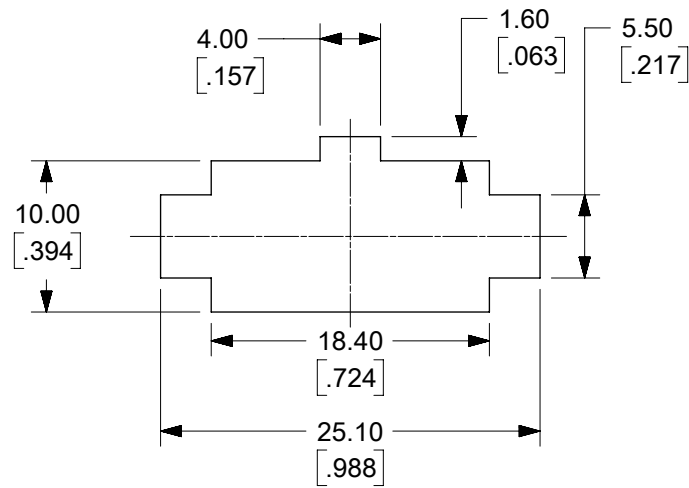
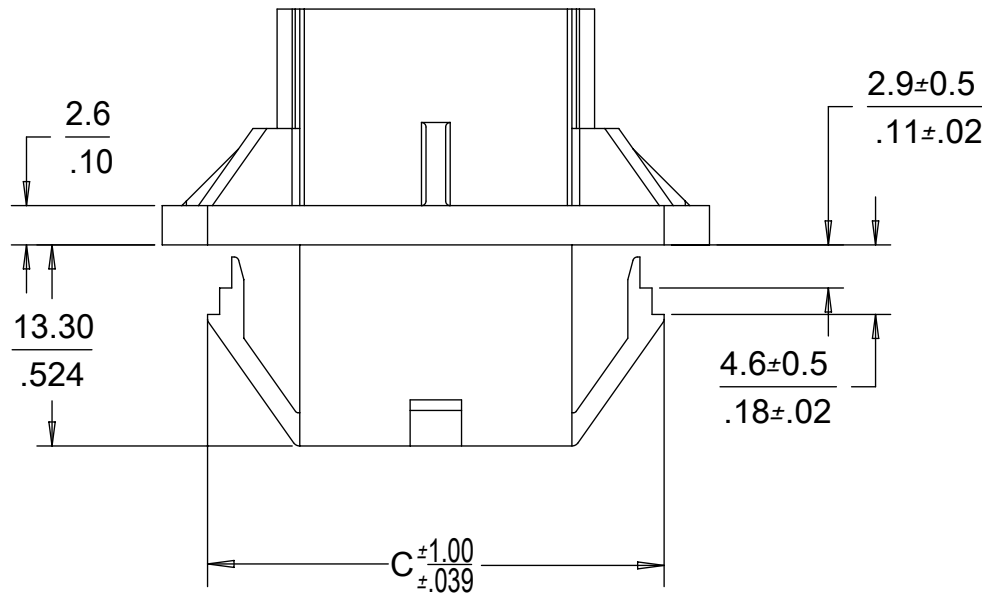
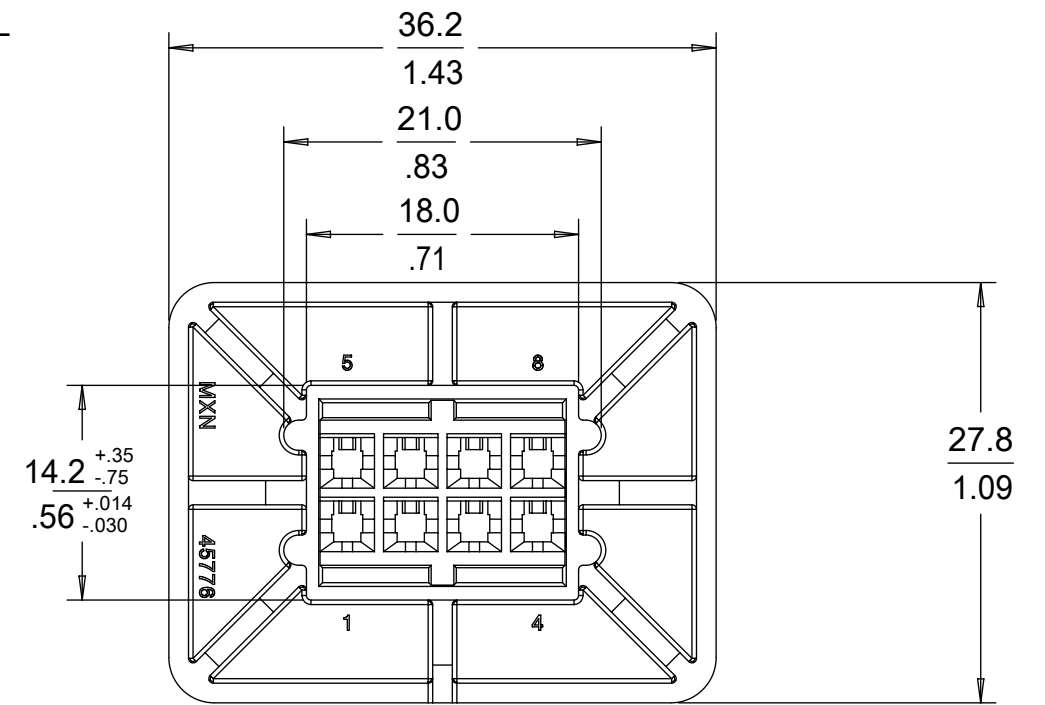
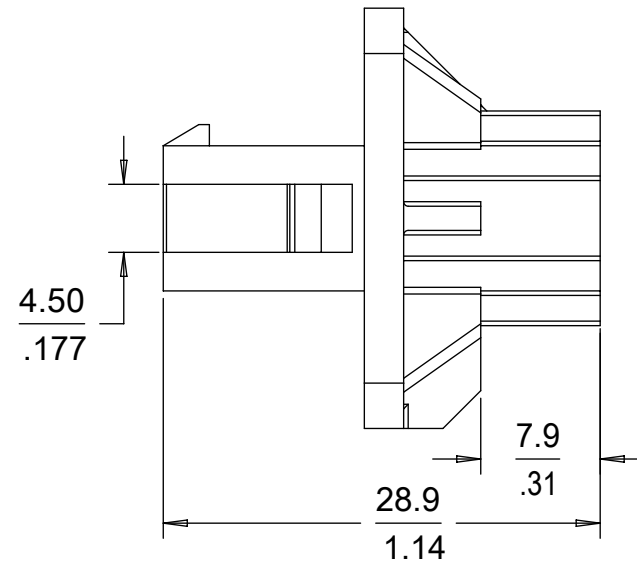
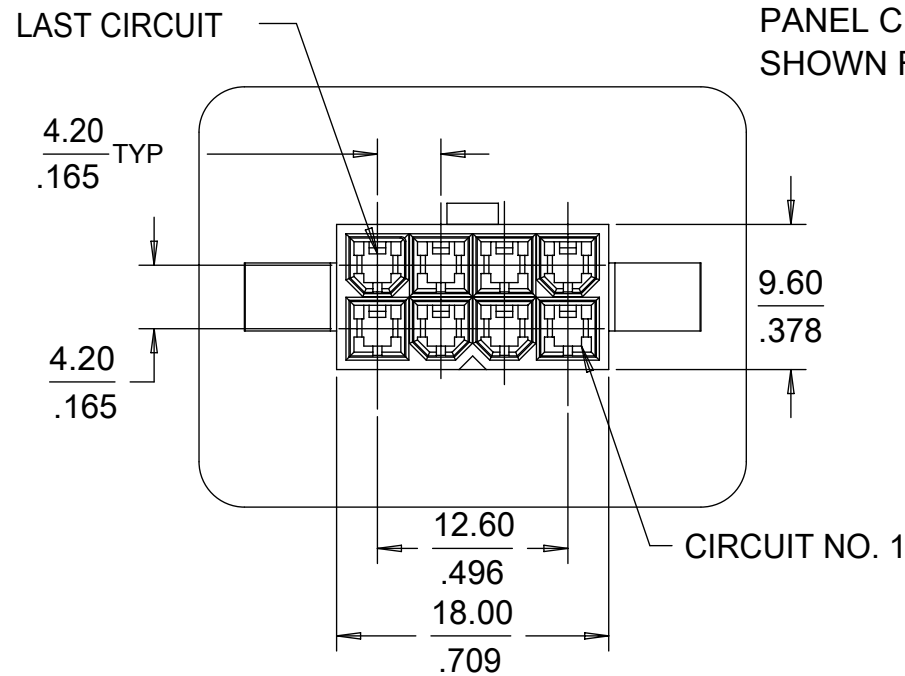


8 CIRCUIT PART SHOWN



RECOMMENDED PANEL CUT-OUTS FOR $\frac{0.89/3.00}{.035/.118}$ THICK PANEL

PANEL CUTOUT TOLERANCES $\pm 0.10/\pm .004$
SHOWN FROM MATING SIDE

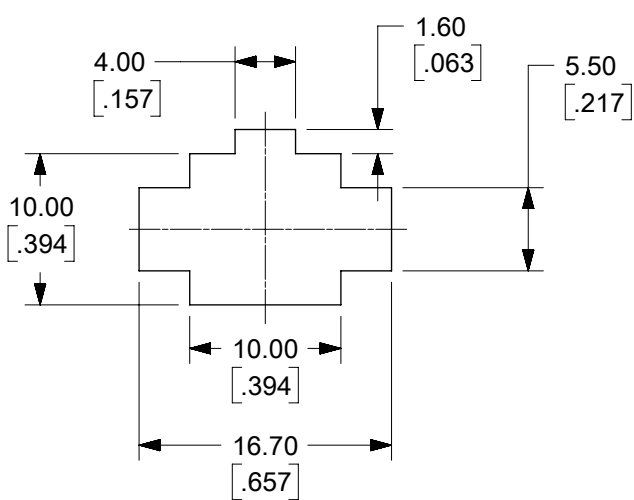
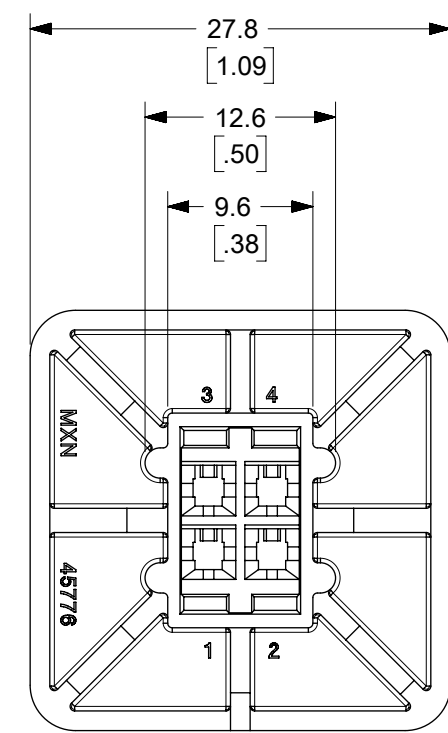
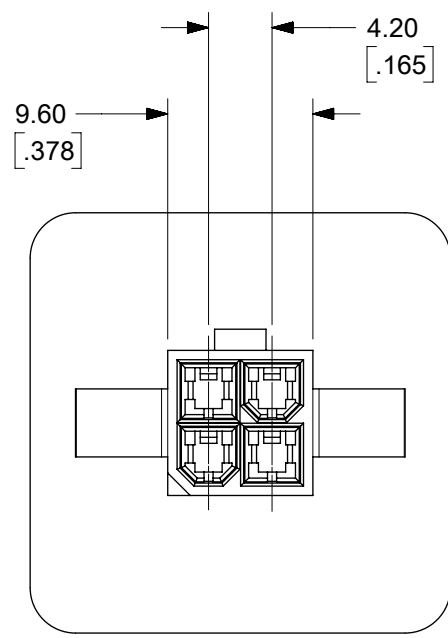


NOTES:

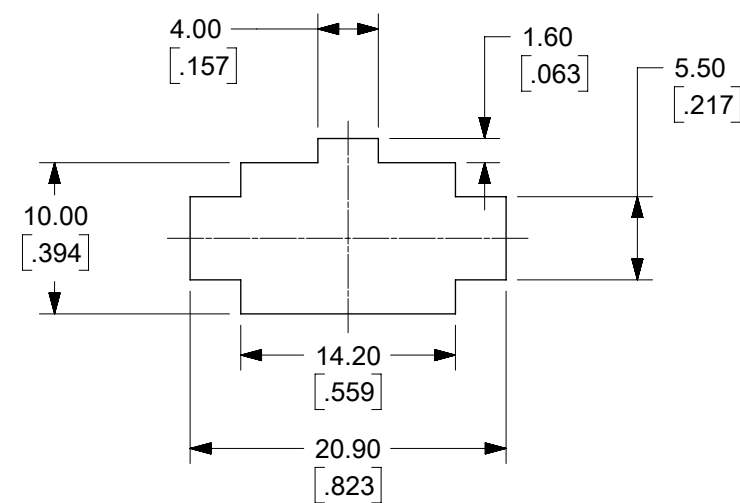
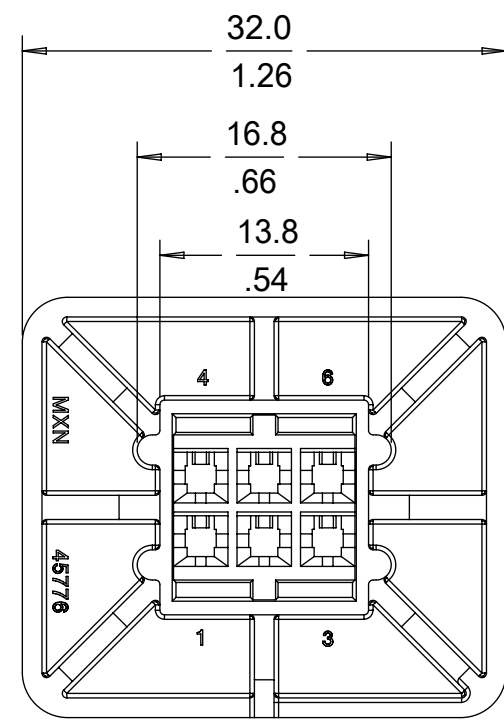
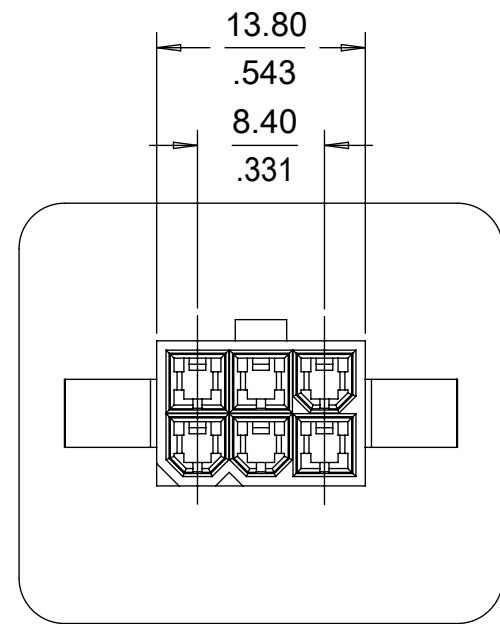
- MATERIAL:
GW V-2 = NYLON, UL94V-2, COLOR: NATURAL, IEC 60335-1
5th EDITION GLOW WIRE CAPABLE
V-0 = NYLON, UL94V-0, COLOR: SEE CHART
- FINISH: N/A
- PRODUCT SPECIFICATION: PS-5556-001
- PACKAGING: BULK PACKAGED PER PK-45776-001
- THIS PART IS DESIGNED TO USE MINI-FIT MALE CRIMP TERMINALS #5558.
- THIS PART MATES WITH RECEPTACLE #5557 AND #46992.
- WIRES TO BE DRESSED IN SUCH A MANNER TO ALLOW TERMINALS TO FLOAT FREELY IN THE POCKET.
- CONNECTORS ARE NOT TO BE MATED OR UNMATED WHILE CIRCUITS ARE LIVE.
- PART CONFORMS TO CLASS "B" REQUIREMENTS OF COSMETIC SPECIFICATION PS-45499-002.
- TEXT ON PART IS FOR REFERENCE ONLY. TEXT AND TEXT LOCATION MAY VARY DEPENDING ON PART NUMBER AND/OR TOOL.

THIS DRAWING CONTAINS INFORMATION THAT IS PROPRIETARY TO MOLEX ELECTRONIC TECHNOLOGIES, LLC AND SHOULD NOT BE USED WITHOUT WRITTEN PERMISSION										
QUALITY SYMBOLS	ADD 4016, & 4018 EC NO: 115507 DRWN: CSLAFTER CHK'D: JBELL REV APPR: FSMITH	GENERAL TOLERANCES (UNLESS SPECIFIED)		DIMENSION UNITS	SCALE					
		MM	INCH	MM/IN	2:1					
∇ = 0 ∇ = 0 ∇ = 0 \blacktriangledown = 0 ∇ = 0 \boxtimes = 0 \blacksquare = 0 ∇ = 0		4 PLACES	\pm	\pm	DRWN BY	DATE	FOAM-IN-PLACE MINI-FIT-PLUG HOUSING			
		3 PLACES	\pm	± 0.01	JBELL	2010/03/02				
		2 PLACES	± 0.25	± 0.14	CHK'D BY	DATE	PRODUCT CUSTOMER DRAWING			
		1 PLACES	± 0.35	\pm	JBELL	2010/03/03				
		0 PLACES	\pm	\pm	APP'R BY	DATE	SERIES: 45776 MATERIAL NUMBER: SEE CHART CUSTOMER: GENERAL MARKET			
		ANGULAR TOL ± 0.5			FSMITH	2010/10/25				
		DRAFT WHERE APPLICABLE MUST REMAIN WITHIN DIMENSIONS		DRAWING SIZE	THIRD ANGLE PROJECTION		DOCUMENT NUMBER: SD-45776-001 DOC TYPE: PSD DOC PART: 000 SHEET NUMBER: 1 OF 3			
				B						

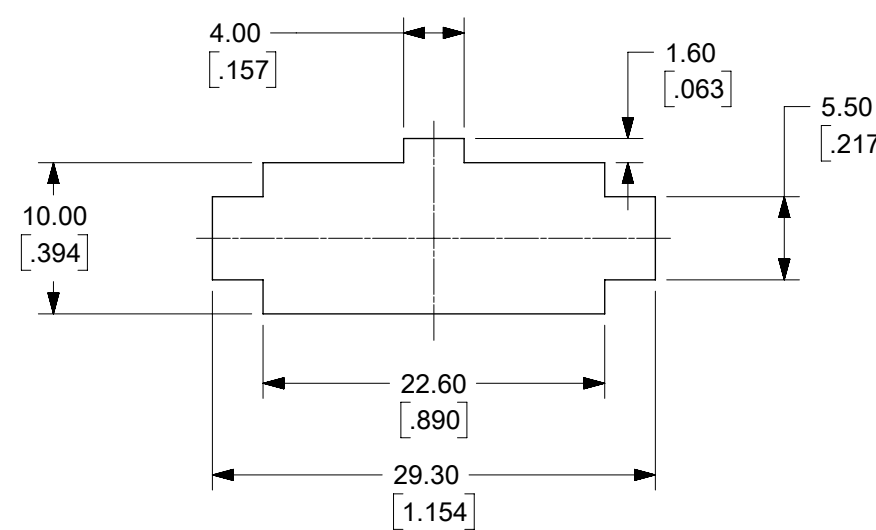
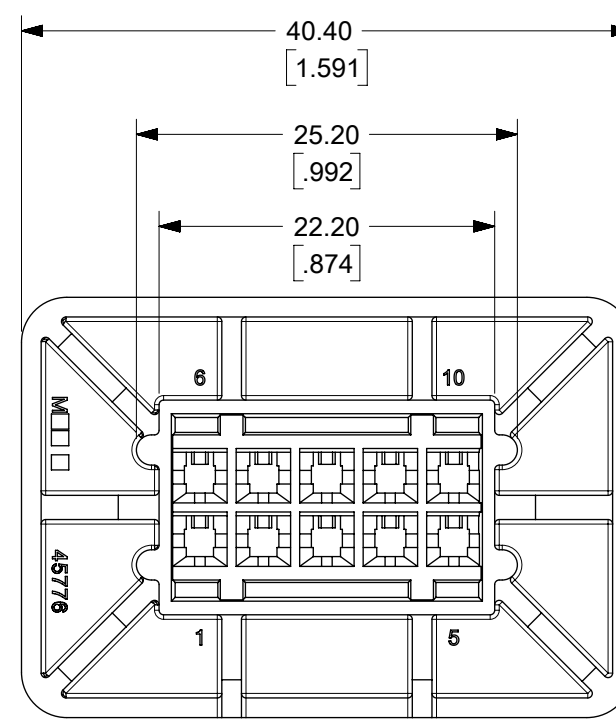
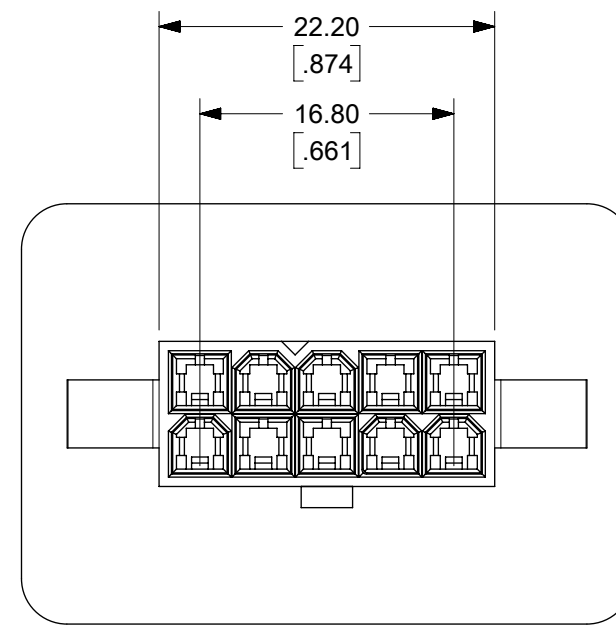
4 CIRCUIT



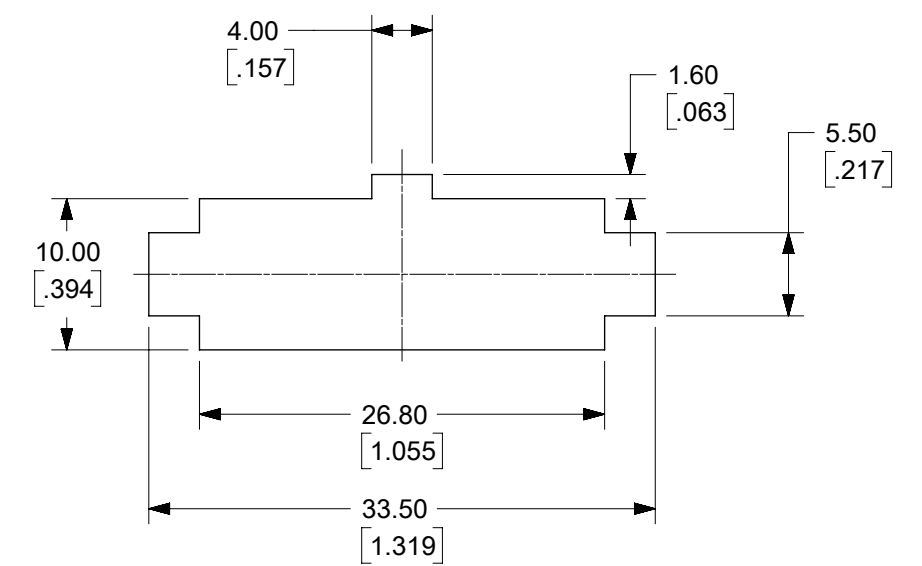
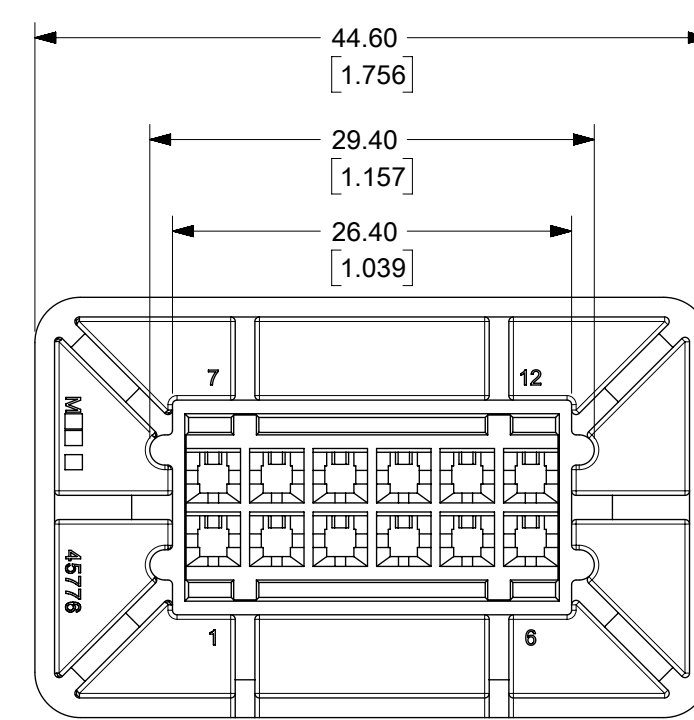
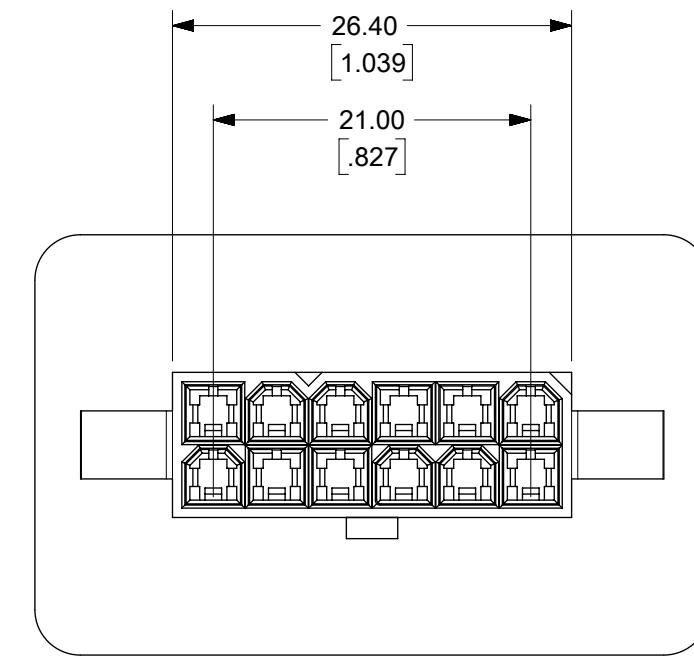
6 CIRCUIT



10 CIRCUIT



12 CIRCUIT



RECOMMENDED PANEL CUT-OUTS FOR 0.89/3.00 THICK PANEL
0.035/.118

PANEL CUTOUT TOLERANCES ±0.10/±.004
SHOWN FROM MATING SIDE

NOTES
1. DIMENSIONS SHOWN ONLY APPLY TO CIRCUIT SIZE SHOWN, SEE SHEET 1 FOR ALL OTHER APPLICABLE DIMENSIONS.

QUALITY SYMBOLS	THIS DRAWING CONTAINS INFORMATION THAT IS PROPRIETARY TO MOLEX ELECTRONIC TECHNOLOGIES, LLC AND SHOULD NOT BE USED WITHOUT WRITTEN PERMISSION			
	GENERAL TOLERANCES (UNLESS SPECIFIED)		DIMENSION UNITS	SCALE
▽ = 0	MM INCH		MM/IN	2:1
▽ = 0	4 PLACES ± .010 ± .010		DRWN BY	DATE
▽ = 0	3 PLACES ± .010 ± .010		JBELL	2010/03/02
▽ = 0	2 PLACES ± 0.25 ± .014		CHK'D BY	DATE
▽ = 0	1 PLACES ± 0.35 ±		JBELL	2010/03/03
▽ = 0	0 PLACES ± ±		APPR BY	DATE
▽ = 0	ANGULAR TOL = 1/2		FSMITH	2010/10/25
▽ = 0	DRAFT WHERE APPLICABLE MUST REMAIN WITHIN DIMENSIONS		DRAWING SIZE	THIRD ANGLE PROJECTION
▽ = 0	C		C	
ADD 4016, & 4018	EC NO: 115507	DRWN: CSLAFTER	CHKD: JBELL	REV: APPR: FSMITH
2017/04/07	2017/04/07	2017/04/11		
SERIES		MATERIAL NUMBER		CUSTOMER
45776		SEE CHART		GENERAL MARKET
DOCUMENT NUMBER		DOC TYPE	DOC PART	SHEET NUMBER
SD-45776-001		PSD	000	2 OF 3

