

# XMEP1K0PT130

Electronic pressure sensors, Pressure sensors XM, transmitter, XMEP, 1000 PSI, 1/4"18NPT, 0,5...4,5 V, Deutsch, set 1



## Main

|                           |  |
|---------------------------|--|
| Range of Product          | OsiSense XM  |
| Product or Component Type | Electronic pressure sensors  |
| Pressure sensor type      | Pressure transmitter   |
| Pressure sensor name      | XMEP   |
| Electrical circuit type   | Control circuit  |
| Pressure Rating           | 1000 psi (6894.76 kPa)   |
| Local display             | Without  |
| Controlled fluid          | Fresh water 32...257 °F (0...125 °C)<br>Air -40...257 °F (-40...125 °C)<br>Hydraulic oil -40...257 °F (-40...125 °C) |
| Fluid connection type     | 1/4" - 18 NPT (male)   |
| Electrical connection     | DEUTSCH connector DT04-3P 3 pins   |
| [Us] rated supply voltage | 5 V DC SELV 4.5...5.5 V)   |
| Current Consumption       | < 7 mA   |
| Type of output signal     | Analogue   |
| Analogue output function  | 0.5...4.5 V, 3-wire  |
| Quantity per Set          | Set of 1   |
| Type of Packing           | Individual   |

## Complementary

|   |   |
|---|---|
| Pressure setting range                  | 0...1000 psi (0.00...6894.76 kPa)   |
| Maximum permissible accidental pressure | 2200 psi (15168.47 kPa)   |
| Destruction pressure                    | 4400 psi (30336.93 kPa)   |
| Materials in contact with fluid         | Stainless steel AISI 316L   |
| Operating position                      | Any position  |
| Protection Type                         | Reverse polarity<br>Load short-circuit  |
| Electromagnetic compatibility           | Electrostatic discharge immunity test ISO 10605 criteria A 15 kV air, 15 kV contact<br>Susceptibility to electromagnetic fields ISO 11452-2 criteria A 100 V/m 200...2000 MHz<br>Susceptibility to electromagnetic fields ISO 11452-4 criteria A 100 mA 20...400 MHz<br>Susceptibility to conducted disturbances EN/IEC 61000-4-6 criteria A 30 V 0.15...80 MHz<br>Electrical fast transient/burst immunity test EN/IEC 61000-4-4 criteria A 4 kV<br>Susceptibility to conducted transient disturbances ISO 7637-2 criteria B level 3 |
| [Uimp] rated impulse withstand voltage  | 0.5 kV  |
| Response time on output                 | <= 2 ms 10...90 % of full scale   |
| Measurement accuracy                    | +/- 0.5 % of the measuring range  |
| Resolution                              | 0.1 % of the measuring range  |
| Drift of the sensitivity                | +/- 0.02 % of measuring range/°K  |
| Drift of the zero point                 | +/- 0.02 % of measuring range/°K  |
| Long term stability                     | +/- 0.5 % of the measuring range  |
| Mechanical durability                   | 10000000 cycles   |
| Net Weight                              | 0.22 lb(US) (0.098 kg)  |

The information provided in this documentation contains general descriptions and/or technical characteristics of the performance of the products contained herein. This documentation is not intended as a substitute for and is not to be used for determining suitability or reliability of these products for specific user applications. It is the duty of any such user or integrator to perform the appropriate and complete risk analysis, evaluation and testing of the products with respect to the relevant specific application or use thereof. Neither Schneider Electric Industries SAS nor any of its affiliates or subsidiaries shall be responsible or liable for misuse of the information contained herein.

|          |                   |
|----------|-------------------|
| Diameter | 1.02 in (26 mm)   |
| Length   | 2.50 in (63.4 mm) |

## Environment

|                                       |  |
|---------------------------------------|--|
| Standards                             | UL 61010-1<br>EN/IEC 61326-2-3<br>ISO 14982<br>EN 13309<br>ISO 13766<br>ECE 10R-5                      |
| Product Certifications                | E2<br>CULus<br>CE  |
| Ambient Air Temperature for Operation | -40...212 °F (-40...100 °C)  |
| Ambient Air Temperature for Storage   | -58...212 °F (-50...100 °C)  |
| Vibration resistance                  | 12 gn sinus 20...520 Hz) test 4 ISO 16750-3<br>18 gn random 10...2000 Hz) test 4 ISO 16750-3           |
| Shock resistance                      | 50 gn 11 ms EN/IEC 60068-2-27  |
| IP degree of protection               | IP65 conforming to EN/IEC 60529<br>IP67 conforming to EN/IEC 60529<br>IP69K conforming to EN/IEC 60529 |

## Ordering and shipping details

|                       |  |
|-----------------------|--|
| Category              | 22419-PRESSURE SWITCH IEC (HIGH,LOW,GEN) |
| Discount Schedule     | DS2                                      |
| GTIN                  | 3389119636957                            |
| Nbr. of units in pkg. | 1  |
| Package weight(Lbs)   | 3.46 oz (98.0 g)                         |
| Returnability         | No                                       |
| Country of origin     | CH                                       |

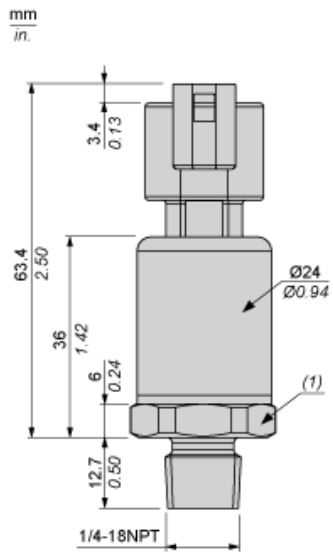
## Packing Units

|                        |                  |
|------------------------|------------------|
| Unit Type of Package 1 | PCE              |
| Package 1 Height       | 1.61 in (4.1 cm) |
| Package 1 width        | 1.77 in (4.5 cm) |
| Package 1 Length       | 3.35 in (8.5 cm) |

## Offer Sustainability

|                            |   |
|----------------------------|---|
| Sustainable offer status   | Green Premium product   |
| California proposition 65  | WARNING: This product can expose you to chemicals including: Diisononyl phthalate (DINP), which is known to the State of California to cause cancer, and Di-isodecyl phthalate (DIDP), which is known to the State of California to cause birth defects or other reproductive harm. For more information go to <a href="http://www.P65Warnings.ca.gov">www.P65Warnings.ca.gov</a> |
| REACH Regulation           | <a href="#">REACH Declaration</a>   |
| EU RoHS Directive          | Pro-active compliance (Product out of EU RoHS legal scope) <a href="#">EU RoHS Declaration</a>  |
| Mercury free               | Yes   |
| RoHS exemption information | <a href="#">Yes</a>   |
| Environmental Disclosure   | <a href="#">Product Environmental Profile</a>   |

Dimensions



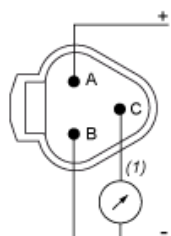
(1) SW24, tightening torque □ 24 N-m / 212 lb-in

---

## Connections and Schema

---

### Connector Wiring



(1) V out

---

Performance Curves

---

Curves

