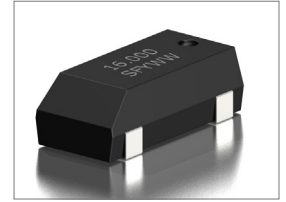
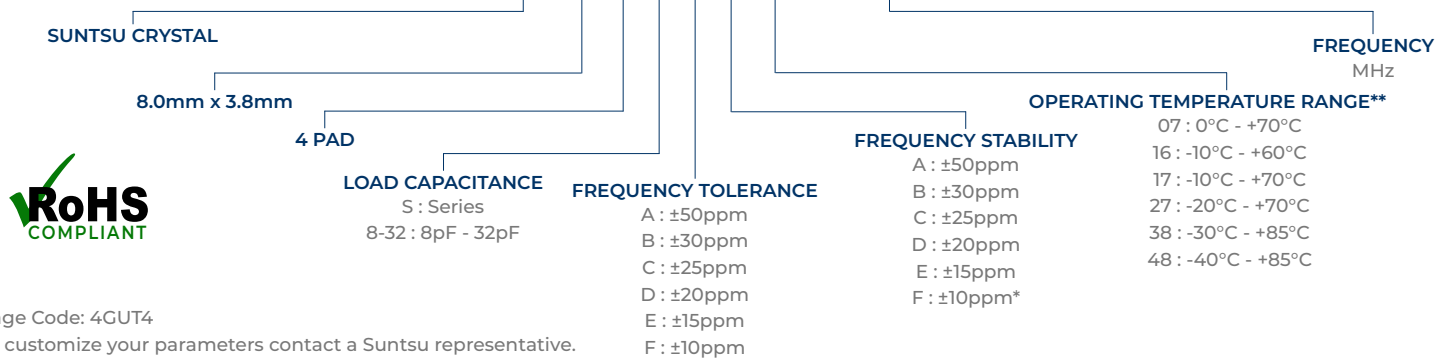


Features
<ul style="list-style-type: none"> ±10ppm (Tolerance) Available Plastic SMD Type Tape and Reel

Applications
<ul style="list-style-type: none"> Measurement Instruments Wireless Applications


Part Numbering Guide
SXT 83 4 18 A A 48 - 16.000M


Cage Code: 4GUT4

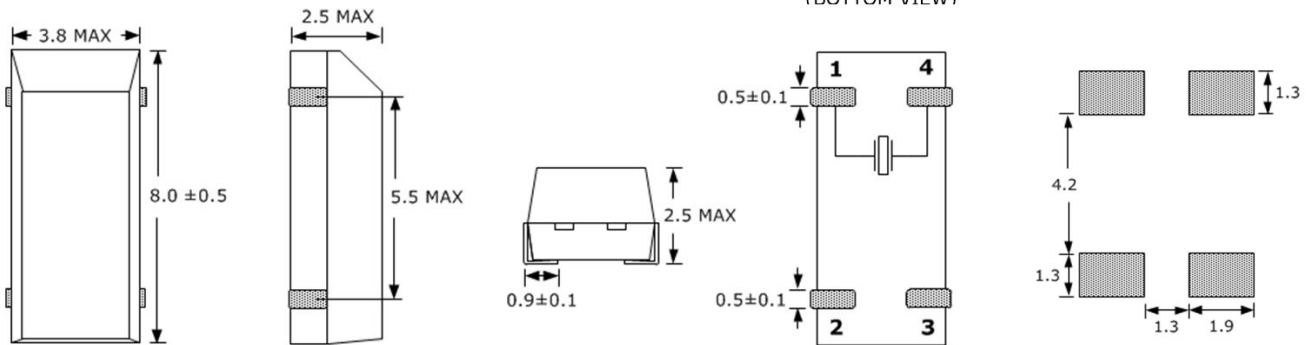
To customize your parameters contact a Suntsu representative.

* For frequency stability option F contact a Suntsu representative. ** For operating temperatures of -55-125°C a Suntsu representative.

Electrical Parameters	Units	Minimum	Typical	Maximum	Remarks
Frequency Range	MHz	8.000		54.000	
Frequency Tolerance at +25°C	ppm	-10		10	See part numbering guide for options.
Frequency Stability vs. Op Temp	ppm	-10		10	See part numbering guide for options.
Frequency Stability vs. Aging	ppm	-5		5	First year @ +25°C.
Operating Temperature	°C	-40		85	See part numbering guide for options.
Storage Temperature	°C	-55		+125	
Load Capacitance	pF	8		32	See part numbering guide for options.
Shunt Capacitance	pF			5	
Drive Level	µW		100	200	
Insulation Resistance	MΩ	500			@ 100VDC ± 15V.
8.000MHz - 9.999MHz	Ω			200	AT-Cut Fundamental
10.000MHz - 11.999MHz	Ω			150	AT-Cut Fundamental
ESR - 12.000MHz - 15.999MHz	Ω			100	AT-Cut Fundamental
16.000MHz - 19.999MHz	Ω			80	AT-Cut Fundamental
20.000MHz - 29.999MHz	Ω			60	AT-Cut Fundamental
30.000MHz - 54.000MHz	Ω			40	AT-Cut Fundamental

Outline Drawing & Recommended Land Pattern

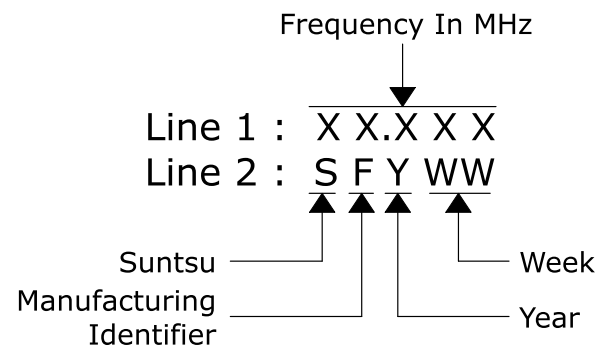
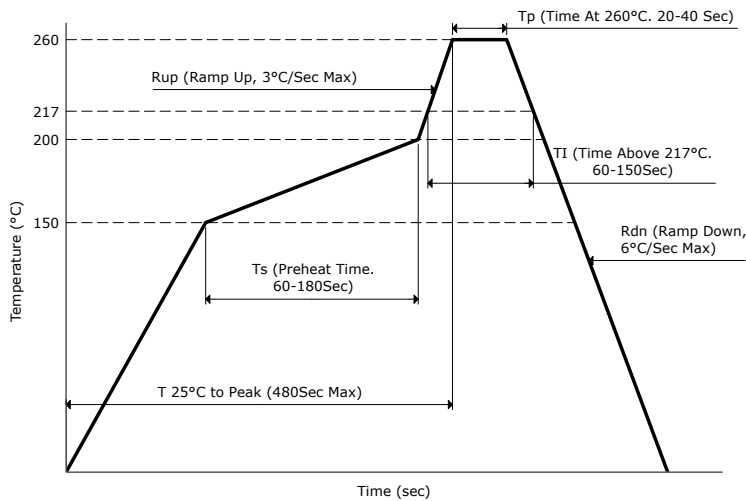
All dimensions are in millimeters (mm) unless otherwise noted. Drawings are not to scale.


Environmental Specifications

Temperature Cycling	MIL-STD-883, Method 1010, Condition B
Fine Leak Test	MIL-STD-883, Method 1014, Condition A
Gross Leak Test	MIL-STD-883, Method 1014, Condition C
Moisture Resistance	MIL-STD-883, Method 1004
Moisture Sensitivity	J-STD-020, MSL 1

Mechanical Specifications

Mechanical Shock	MIL-STD-202, Method 213, Condition B
Vibration	MIL-STD-883, Method 2007, Condition A
Resistance to Soldering Heat	MIL-STD-202, Method 210, Condition B
Resistance to Solvents	MIL-STD-202, Method 215
Solderability	MIL-STD-883, Method 2003

Reflow Profile & Part Marking


Tape And Reel Dimensions

All dimensions are in millimeters (mm) unless otherwise noted. Drawings are not to scale.

3,000pcs / Reel

