



SM-35

**Multirange 2V, 20V & 200V DC
Easily-Scaled 5V DC Powered
3 1/2 Digit Panel Meter**



0.56" LED Display

General Features

The SM-Series meters have LCD or LED displays and offer many unique features designed to simplify installation, calibration and scaling. All SM-35 and SM-35X meters are pin-compatible, which enables LED and LCD meters to be interchanged within the same panel without necessitating wiring or panel cutout changes.

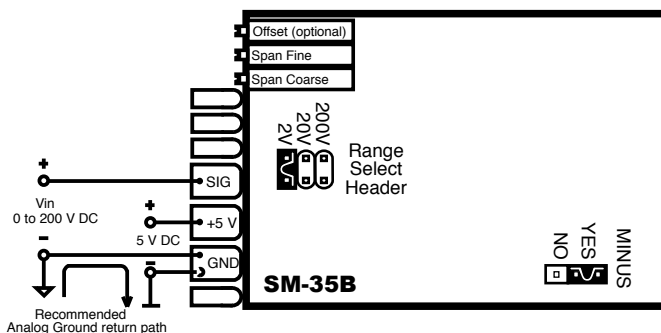
All SM-Series meters are powered with bipolar single-ended inputs. The meters feature Display Hold, Display Test and Auto-Polarity indication. The polarity indication may be disabled or reversed by repositioning jumper clips on internal header pins. The SM-series of meters are designed to be user scalable to almost any engineering unit of readout. On-site scaling and recalibration is facilitated by multi-turn potentiometers that provide continuous fine and coarse adjustment within each of the three header-programmable full scale ranges.

The three ranges provided with the SM-35 (LED display) and SM-35X (LCD display) are 2V, 20V and 200V full scale and both of these meters can be ordered with an optional zero-offset adjustment potentiometer.

The SM-35MV (LED display) and SM-35XMV (LCD display) are specially designed for low voltage inputs and provide three header-programmable input ranges of 20mV, 200mV and 2V full scale. Both the SM-35MV and SM-35XMV have zero-offset adjustment potentiometers as a standard feature and a unique constant current power supply that eliminates any ground loop noise.

Typical Application Connections

DC VOLTMETER



Specifications

- Input Configuration:**Single-ended, with optional provision to offset the zero of the reading displayed
- Input Impedance:**1MΩ minimum
- Full Scale Ranges:**±2VDC (Meters shipped with 2V range selected) ±20VDC ±200VDC All ranges are header programmable
- A/D Converter:**12 Bit Dual Slope
- Accuracy:**±(0.05% of reading + 2 digits)
- Temperature Coefficient:** 100ppm/°C typical
- Warmup Time:**One minute to specified accuracy
- Conversion Rate:**.....3 readings per second
- Display:**.....0.56" High efficiency LED's "Display Hold" feature
- Decimal Selection:**User programmable to 3 positions
- Over-range Indication:** ...When input exceeds full scale on any range being used, most significant "1" digit and polarity symbol are displayed with all other digits blank
- Power Supply:**+4.5 to +5.5V DC at 200mA
- Operating Temperature:**... 0°C to +60°C
- Storage Temperature:**-20° to +70°C
- Relative Humidity:**95% (non-condensing)
- Case Dimensions:** Bezel 2.76" x 1.17" (69.75 x 29.7mm)
Depth behind Bezel 3.32"(84mm) plus 0.68" (17.27mm) for connector.
- Weight:** 88 gms (3.1 oz)
143 gms (5 oz) when packed

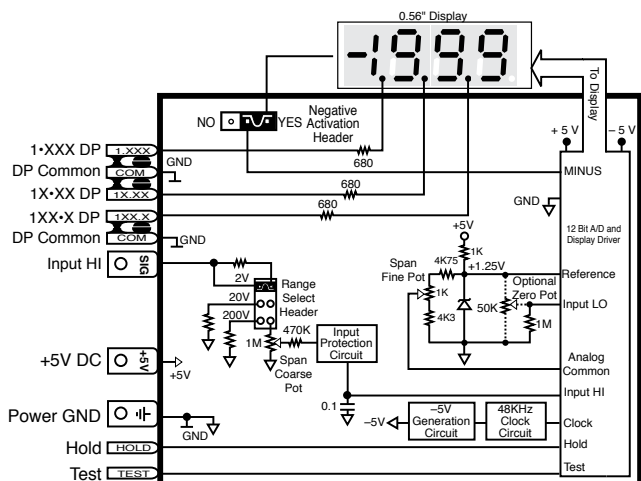
SM-Series LED Displays

- SM-35**.....3.5 digit Red LED, 2/20/200VDC, 5VDC Pwr
- SM-35MV**.....3.5 digit Red LED, 0.02/0.2/2VDC, 5VDC Pwr

SM-Series LCD Displays

- SM-35X**.....3.5 digit LCD, 2/20/200VDC, 5VDC Pwr

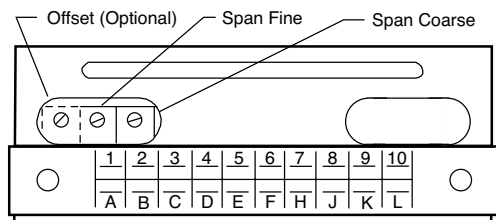
Functional Diagram



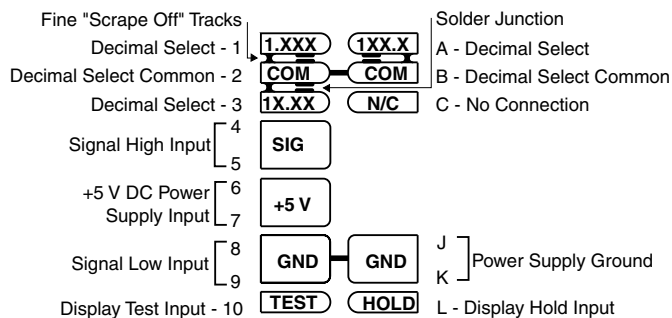
Connector Pinouts

For most applications where it is not necessary to activate Display Hold, Display Test, or remotely change the selected decimal point, the three screw terminal blocks supplied with the meter can be used to connect Signal Low Input & Power Supply Ground (joined on the one terminal), Signal High Input and +5VDC Power Input. For other applications, the Texmate SM-35 interconnects by means of a standard PC board edge connector having two rows of 10 pins each, spaced on 0.156" centers. Connectors are available from Texmate, or from almost any connector manufacturer.

CAUTION: This meter employs high impedance CMOS inputs. Although internal protection has been provided for several hundred volt overloads, the meter will be destroyed if subjected to the high kilovolts of static discharge that can be produced in low humidity environments. Always handle the meter with ground protection.



REAR OF METER WITH PCB EDGE CONNECTOR MOUNTED (For mounting of screw terminal blocks see rear page)



Pins A, 1 and 3 - Decimal Select: Decimal points may be blanked as required by carefully scraping off the fine tracks linking these pins to Decimal Select Common using a pair of pliers or a small screwdriver blade. Re-connect either by linking the appropriate pins on the connector or by solder-bridging the junctions located on the PC board edge fingers.

Pins B and 2 - Decimal Select Common: Common return pins for decimal point selection.

Pins J and K - Power Supply Ground: Power supply ground return (Note: Separate connections to Pins J & K and Pins 8 & 9 are recommended when using edge connectors with the meter, to minimize ground loop effects.).

Pin L - Display Hold Input (CMOS compatible): If Pin L is left

open, the meter will operate in a free-running mode. Whilst Pin L is connected to Common Pins 2 & B, the meter will latch up; A/D conversions will continue but the display will not be updated until Pin L is released.

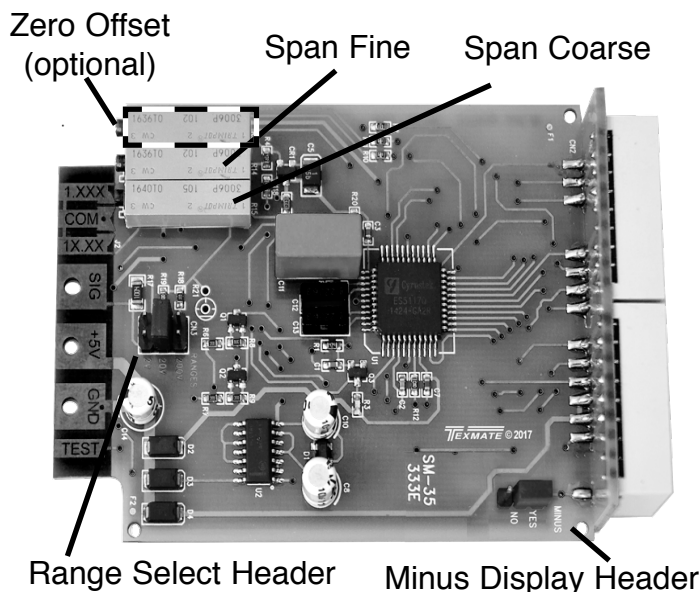
Pins 4 and 5 - Signal High Input: Signal inputs for all voltage ranges are applied to these pins. Maximum overvoltage protection is $\pm 400V$ DC or 280V AC.

Pins 6 and 7 - +5V DC System Power Input: The meter requires a regulated low-ripple 5V DC power supply applied to these pins.

Pins 8 and 9 - Signal Low Input: Signal low input of the analog to digital converter circuits (Note: When measuring input signals (on the 2V range) that are not isolated from the +5V DC supply used to power the meter, a ground loop can be created that will cause the least significant digit to exhibit errors and instability. To avoid this problem, the ground return path of the analog signal should be connected to the power supply ground only at the Signal Low Input Pins 8 & 9 of the meter.).

Pin 10 - Display Test Input: All numeric display segments will operate when Pin 10 is connected to Common Pins 2 & B. **CAUTION:** The Display Test function is only intended for momentary operation. Continuous application of Display Test will, in time, damage the display.

Component Layout



Signal Conditioning Components

ZERO **ZERO Potentiometer (Pot) Optional**
To the Left Front
Turn Clockwise to Increase Reading
The Optional ZERO pot when installed is to the left of the SPAN pots (as viewed from the back of the meter). Typically it enables the displayed reading to be offset ± 1000 counts.

SPAN **SPAN Fine Potentiometer (Pot)**
To the Right Front
Turn Clockwise to Increase Reading
The 15 turn SPAN Fine pot is the middle pot (as viewed from the back of the meter). Typical adjustment is 10% of the input signal range.

SPAN **SPAN Coarse Potentiometer (Pot)**
To the Right Front
Turn Clockwise to Increase Reading
The 15 turn SPAN Coarse pot is on the right side (as viewed from the back of the meter). Typical adjustment is 100% of the input signal range.

RANGE SELECT Header

Range values are marked on the PCB. Three positions are provided. After selecting a new range with the single jumper clip, recalibration is required.

Minus Sign Header

NO  YES

Activates Minus sign on display

Minus Sign Header

This header allows the Minus Sign to work normally.

NO  YES

Disable Minus sign on display*

*Note: Removing the header disables Minus Sign

Calibration Procedure

- 1) Select the F.S. input voltage range by re-positioning the jumper clip on the range select header as indicated by the voltages marked on the PCB.
 - 2) Short Signal High Input Pins 4 & 5 to Signal Low Input Pins 8 and 9.
 - 3) Adjust **Zero Offset** until the display reads zero.
 - 4) Apply F.S. voltage.
 - 5) Adjust **Span Coarse & Span Fine** controls; clockwise increases the displayed reading.
 - 6) Adjust **Zero Offset** to offset the zero reading as required.
- (Re-calibration must be performed after changing ranges)**



CAUTION - ELECTRICAL SHOCK HAZARD All internal parts of the meter may be at the same electrical potential as the input signal and power supply. Do not reposition the signal conditioning components when input voltages are applied. When measuring dangerously high input voltages, extreme care must be taken to insulate the connector pins as well as all metal parts of the meter. A suitable high voltage warning notice should be affixed to those meters where there is any possibility that the meter could be removed from its case, or the internal components accessed, concurrent with the existence of a high voltage input signal.

Push-On Screw Terminals

They provide the greatest convenience and ease of use

Texmate's exclusive optional Push-On Connectors combine an edge card connector and a 10 position screw terminal block. Push-On Connectors are ordered preconfigured for each specific power supply voltage and each optional power supply available for the SM-Series.



Part Number:
CN-PUSH/SM

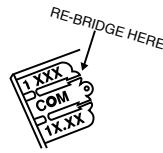
PCB Edge Connector

PCB Edge Connector

A standard 20-pin edge connector (two rows of 10 pins on 0.156" centers) is used to connect the SM-35 meter. Order part no. CN-L10.



Decimal Point Selection



The meter is shipped from the factory with all the decimal points on. To turn off unwanted decimals, use a pair of long-nosed pliers to scrape off the fine tracks connecting decimals to decimal select common (alternatively, use a scalpel or small screwdriver). Reconnect by soldering where shown.

TB-Kit Screw Connectors



*Not Included

Texmate's individual screw terminal blocks offer a convenient alternative to edge connectors for many applications, allowing complete installation, configuration and calibration without the need for soldering.

Slide each terminal block over the PCB until the hole aligns. Insert the retaining screw to secure.

Each kit includes: 3 plastic blocks with metal contacts, 4 screws with spade connectors, 1 metal contact and 3 quick disconnects.

Part Number : TB-KIT

Meters in Dashboard Case Enclosure



AM-20 20 segment LED bargraph,
5V DC power

CM-35XTL Less than 1V DC loop drop and 1 Joule energy storage

CM-35XT Economical 4-20mA loop-powered meter

PM-45X 4.5 digit 0.48" LCD DPM

PM-45XU Lower cost version of PM-45X

PM-45L 4.5 digit 0.4" LED DPM

PM-45LU Lower cost version of PM-45L

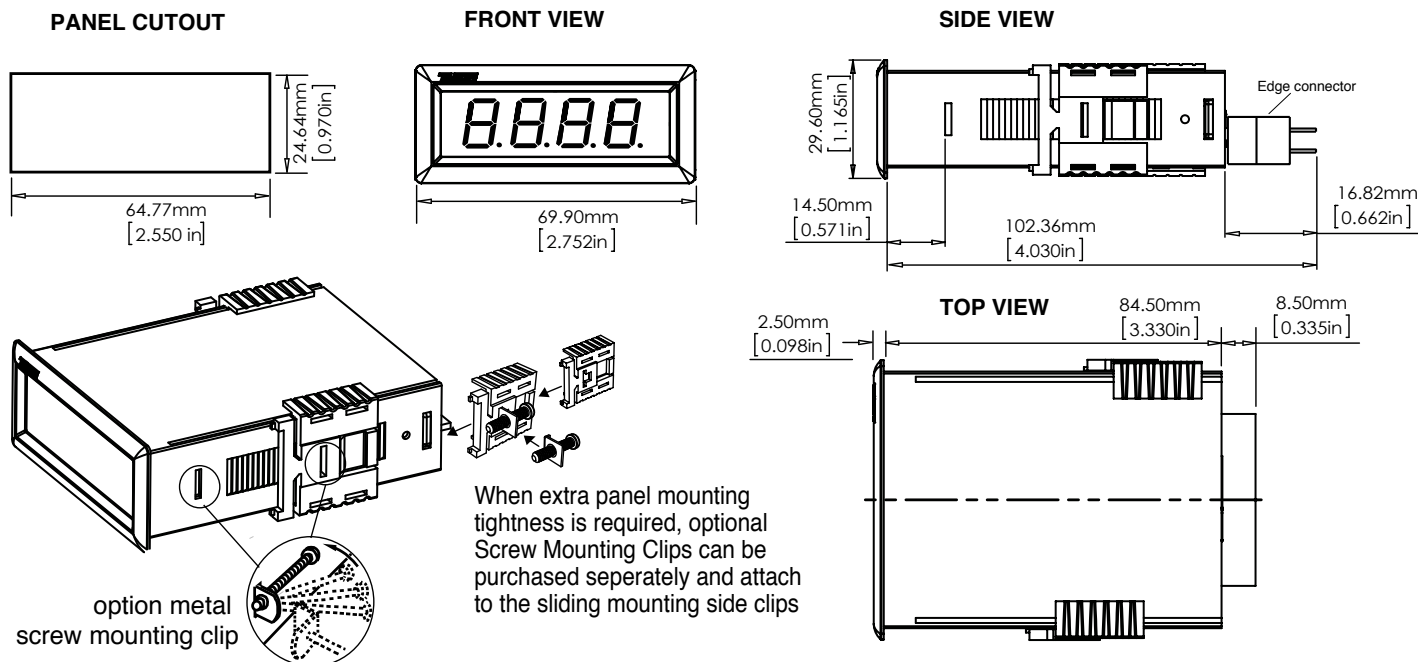
SP-35X Signal Power DC voltage measurement from 5.0V DC to 199.9V DC



PS-505 5V DC Regulated Power Supply, 0.5A Output

PS-510 5V DC Regulated Power Supply, 1A Output

SM Case Dimensions and Panel Cutouts



Ordering Information

Standard Options for this Model Number

Part Number	Description
► BASIC MODEL NUMBER	Includes plug in type screw terminals, standard display and standard power supply unless optional versions are ordered.

SM-35.....3.5 digit Red LED, 2/20/200VDC, 5VDC Pwr. . .

► DISPLAY

STANDARD	Red LED, 0.96 inch high.
SM-GREEN . . .	Green LEDs, for SM-35/35MV only
SM-BLUE	Blue LEDs, for SM-35/35MV only.

Special Options and Accessories

Part Number	Description
► SPECIAL OPTIONS (Specify Inputs & Req. Reading)	
Z50K	Zero offset 50 K Pot.
ZR	Range Change from Standard Range shown in BOLD Type. Please specify range when ordering.
ZRS-SMUM . . .	Range change 200mV/2V/20VAC & Factory Scaling

► ACCESSORIES

CN-L10	Edge Connector with Solder eyelet, 10 Pin Dual
CN-PUSH/SM. . .	Push-On Screw Terminal Block Connector
TB-KIT.	Terminal Block Connector Kit (3)
SL.CASERED. . .	Slim Bezel Case, Red Faceplate w/Mtg Hrdwre
PS-505	5V DC Regulated Power Supply, 0.5A Output . .
PS-510	5V DC Regulated Power Supply, 1A Output . . .

WARRANTY

Texmate warrants that its products are free from defects in material and workmanship under normal use and service for a period of one year from date of shipment. Texmate's obligations under this warranty are limited to replacement or repair, at its option, at its factory, of any of the products which shall, within the applicable period after shipment, be returned to Texmate's facility, transportation charges pre-paid, and which are, after examination, disclosed to the satisfaction of Texmate to be thus defective. The warranty shall not apply to any equipment which shall have been repaired or altered, except by Texmate, or which shall have been subjected to misuse, negligence, or accident. In no case shall Texmate's liability exceed the original purchase price. The aforementioned provisions do not extend the original warranty period of any product which has been either repaired or replaced by Texmate.

USER'S RESPONSIBILITY

We are pleased to offer suggestions on the use of our various products either by way of printed matter or through direct contact with our sales/application engineering staff. However, since we have no control over the use of our products once they are shipped, NO WARRANTY WHETHER OF MERCHANTABILITY, FITNESS FOR PURPOSE, OR OTHERWISE is made beyond the repair, replacement, or refund of purchase price at the sole discretion of Texmate. Users shall determine the suitability of the product for the intended application before using, and the users assume all risk and liability whatsoever in connection therewith, regardless of any of our suggestions or statements as to application or construction. In no event shall Texmate's liability, in law or otherwise, be in excess of the purchase price of the product.

Texmate cannot assume responsibility for any circuitry described. No circuit patent or software licenses are implied. Texmate reserves the right to change circuitry, operating software, specifications, and prices without notice at any time.



1934 Kellogg Ave. Carlsbad, CA 92008

Tel: 1-760-598-9899 • USA 1-800-839-6283 • That's 1-800-TEXMATE

• Email: orders@texmate.com • techsupport@texmate.com

• Web: www.texmate.com

SM-35 Technical Manual Copyright © 2020 Texmate Inc. All rights reserved. Published by: Texmate Inc. USA. Information in this Technical Manual is subject to change without notice due to correction or enhancement. The information described in this manual is proprietary to Texmate, Inc. and may not be copied, reproduced or transmitted, in whole or in part, in connection with the design, manufacture, or sale of apparatus, device or private label product without the express written consent of Texmate, Inc.

Copyright © 2020 Texmate Inc. All Right Reserved.