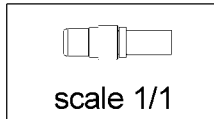
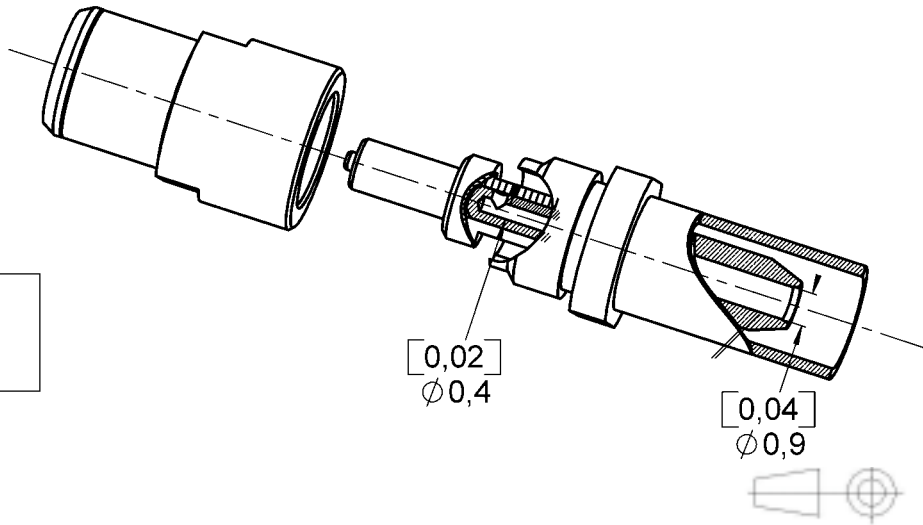
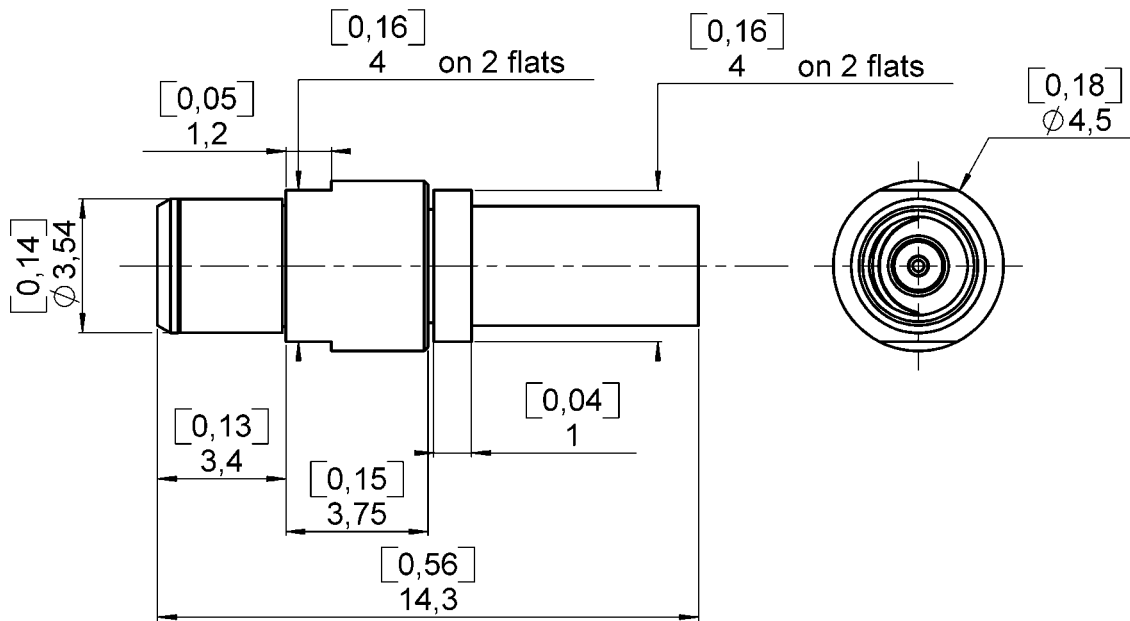


STRAIGHT PLUG CRIMP TYPE

R199.006.203

CABLE 2/50 S-PACK. 100

Series : MOEBIUS



All dimensions are in mm.

COMPONENTS	MATERIALS	PLATING (µm)
BODY	BRASS	NPGR
CENTER CONTACT	BRASS	NPGR
OUTER CONTACT	BRASS	NPGR
INSULATOR	PTFE	
GASKET	-	
OTHERS PARTS	BERYLLIUM COPPER	NPGR
-	-	-
-	-	-

Issue : 0739 A

In the effort to improve our products, we reserve the right to make changes judged to be necessary.



STRAIGHT PLUG CRIMP TYPE

R199.006.203

CABLE 2/50 S-PACK. 100

Series : MOEBIUS

PACKAGING

Standard	Unit	Other
100	'W' option	Contact us

SPECIFICATION

ELECTRICAL CHARACTERISTICS

Impedance	50	Ω
Frequency	0-6	GHz
VSWR	1.05 + 0,0500	x F(GHz) Maxi
Insertion loss		\sqrt{F} (GHz) dB Maxi
RF leakage	- (NA)	- F(GHz)) dB Maxi
Voltage rating	170	Veff Maxi
Dielectric withstanding voltage	500	Veff mini
Insulation resistance	5000	M Ω mini

CABLE ASSEMBLY

Stripping	a	b	c	d	e	f
mm	2,70	4,50	9,20	0,00	6,50	0,00

Assembly instruction : **NA**

Recommended cable(s)
RG 196
RG 178

Characteristics indicated on this data sheet are those that can be achieved with the highest performance cable. Intrinsic limitations of the cable may diminish the performance of the assembly

Cable retention

- pull off **35** N mini
- torque N.cm

MECHANICAL CHARACTERISTICS

Center contact retention		
Axial force – Mating end	10	N mini
Axial force – Opposite end	10	N mini
Torque		N.cm mini

TOOLING

Part Number	Description	Hexagon
.	.	.
R282.211.000	CRIMPING TOOL	2.67
R282.235.003	CRIMPING DIES	2.67
R282.293.000	CRIMPING TOOL M22520/5-01	

Recommended torque		
Mating		N.cm
Panel nut		N.cm
Clamp nut	30	N.cm
A/F clamp nut	4,0000	mm

Mating life	10000	Cycles mini
Weight	0,5700	g

OTHER CHARACTERISTICS

ENVIRONMENTAL

Operating temperature	-40/+110	$^{\circ}$ C
Hermetic seal		Atm.cm3/s
Panel leakage		

Issue : 0739 A

In the effort to improve our products, we reserve the right to make changes judged to be necessary.

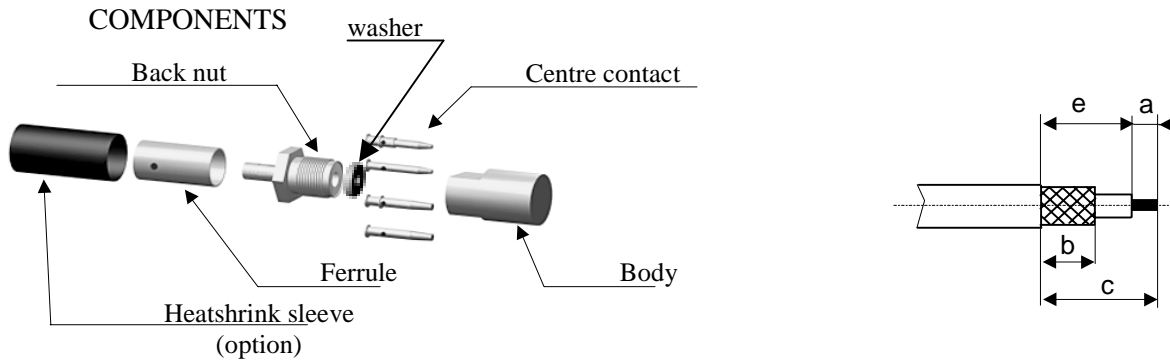


STRAIGHT PLUG CRIMP TYPE

CABLE 2/50 S-PACK. 100

R199.006.203

Series : MOEBIUS



1

Slide the heatshrink sleeve onto the cable (Option).
Slide the ferrule onto the cable.
Position the ferrule's hole at the front if soldering.
Position the ferrule's hole at the back if crimping.
Strip the cable.

4

Slide the centre contact and the washer on until it bottoms against the insulator back nut.
Solder the contact

2

Fan the braid.
Slide the cable into the back nut.

5

Screw the back nut into the connector body with the adapted wrench.
Recommended coupling torque (see connector TDS).

3

Slide the ferrule over the braid.
Crimp the ferrule with crimping tool (see connector TDS).

6

Slide the sleeve over the ferrule and heatshrink it in place (Option).

Issue : 0739 A

In the effort to improve our products, we reserve the right to make changes judged to be necessary.

