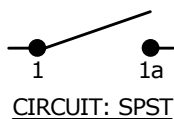


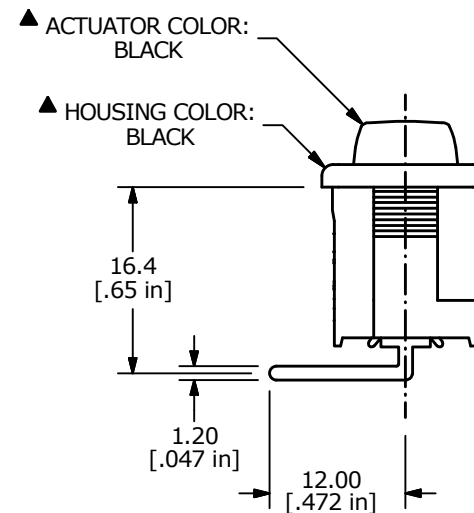
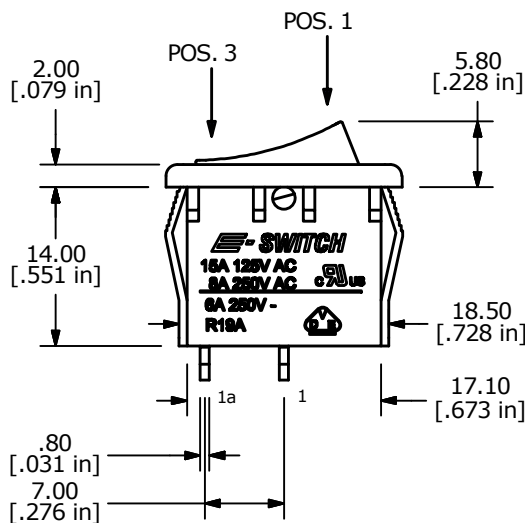
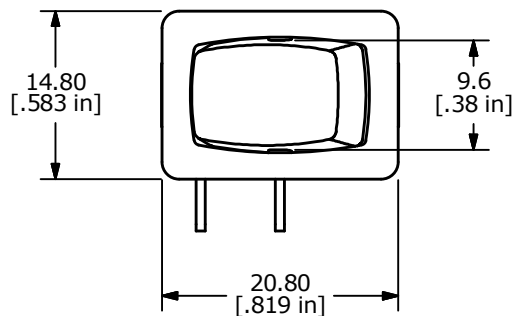
RECOMMENDED PANEL MOUNTING

PANEL THICKNESS	X
0.75-1.25	19.20-19.30
1.25-2.00	19.30-19.40
2.00-3.00	19.50-19.60

SWITCH FUNCTION		
POS. 1	POS. 2	POS. 3
ON	NONE	OFF
1a-1	N/A	OPEN



CIRCUIT: SPST



▲ ACTUATOR COLOR: BLACK

▲ HOUSING COLOR: BLACK

NOTES:

1. ALL DIMENSIONS IN MM [INCH]
2. GENERAL TOLERANCE: X.X=±0.4  
X.XX=±0.25
3. TERM. NOS. FOR REF. ONLY
4. RATING: 15A @125VAC [cURus]  
8A @250VAC [cURus]  
6A @250VAC [VDE]
- ▲ 5. LAMP VOLTAGE: NO LAMP
6. MATERIAL:  
CONTACT SURFACE: SILVER ALLOY  
TERMINAL: COPPER ALLOY w/SILVER PLATE
7. ELECTRICAL LIFE: 10,000 CYCLES
8. CONTACT RESISTANCE: <20 MILLI-OHMS INITIAL
9. DIELECTRIC STRENGTH: >1,500V AC 1 MIN
10. ▲ DENOTES CRITICAL PARAMETER.
11. 2011/65/EU (ROHS) COMPLIANT.



F	23216	UPDATED RATINGS AND DIM. TO 16.4	2/12/18	MJR
E	23057	UPDATED LAYOUT AND DIMENSIONS	10/23/17	MJR
REV	PCR NO	DESCRIPTION	DATE	BY

TITLE R1966ABLKBLKER				
SCALE 3:2	DATE 6/20/1995	DR MM	DWG M301202	REV F

THE INFORMATION CONTAINED IN THIS DOCUMENT IS PROPRIETARY TO E-SWITCH AND IS NOT TO BE COPIED OR TRANSFERRED