

12G SDI 75 Ohm BNC Female Connector Solder Attachment Thru Hole PCB

RF Connectors Technical Data Sheet

PE40010

Configuration

- BNC Female Connector
- 75 Ohms
- Straight Body Geometry
- Connector Interface Types: Thru Hole

Features

- Max. Operating Frequency 12 GHz
- Gold Plated Brass Contact
- 10 µin minimum contact plating
- Meets SMPTE ST 2082-1
- Backwards Compatible with 2081-1
- 12Gb/s Transmission
- Cost Effective

Applications

- General Purpose Test
- PCB Applications
- CATV
- 12G-SDI, Video, and Broadband UHDTV
- Broadband Internet Delivery
- Broadcast A/V
- 4K/8K Video Equipment
- Medical Equipment Requiring High Speed Video
- HD Cameras

Description

Pasternack's PE40010 75 ohm BNC female connector with solder attachment for Thru Hole PCB is part of our full line of RF components available for same-day shipping. Our BNC female connector operates up to a maximum frequency of 12 GHz. Pasternack's 12G-SDI BNC connector PE40010 utilizes 12Gb/s data transfer rates to enable high resolution uncompressed video signal transmission. These products offer 4K and Ultra-HD quality signals that meet SMPTE Standard 2082-1. These 75 Ohm connectors are available in PCB edge-mount, straight, or right angle configurations, as well as coaxial connectors to be used in industry standard cable assemblies.

Our 75 ohm BNC female connector PE40010 datasheet specifications and drawing with dimensions are shown below in this PDF. Pasternack's broad catalog of RF, microwave and millimeter wave connectors allows designers to configure and customize their signal connections however they like. Whether the need is to provide an I/O for a board design, or simply create a custom cable assembly configuration, Pasternack has the right connector for the job. Pasternack can also expertly build your custom cable assemblies for you and ship same-day.

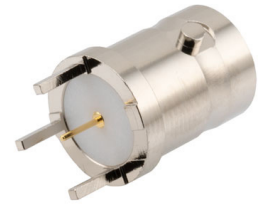
Electrical Specifications

Description	Minimum	Typical	Maximum	Units
Frequency Range	DC		12	GHz

Mechanical Specifications

Size	
Length	0.709 in [18.01 mm]
Width/Dia.	0.433 in [11.00 mm]
Height	0.433 in [11 mm]
Weight	0.05 lbs [22.68 g]

Click the following link (or enter part number in "SEARCH" on website) to obtain additional part information including price, inventory and certifications: [12G SDI 75 Ohm BNC Female Connector Solder Attachment Thru Hole PCB PE40010](#)



12G SDI 75 Ohm BNC Female Connector
Solder Attachment Thru Hole PCB

RF Connectors
Technical Data Sheet

PE40010

Material Specifications

Description	Material	Plating
Contact	Brass	Gold 10 µin minimum
Insulation	PTFE	
Outer Conductor	Brass	Nickel 100 µin minimum
Body	Brass	Nickel 100 µin minimum

Environmental Specifications

Compliance Certifications (see [product page](#) for current document)

Plotted and Other Data

Notes:

12G SDI 75 Ohm BNC Female Connector Solder Attachment Thru Hole PCB from Pasternack Enterprises has same day shipment for domestic and International orders. Our RF, microwave and millimeter wave products maintain a 99.4% availability and are part of the broadest selection in the industry.

Click the following link (or enter part number in "SEARCH" on website) to obtain additional part information including price, inventory and certifications: [12G SDI 75 Ohm BNC Female Connector Solder Attachment Thru Hole PCB PE40010](#)

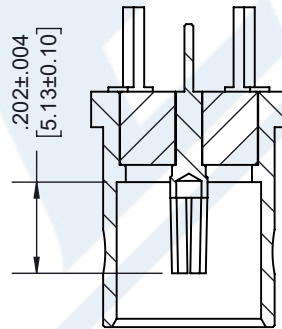
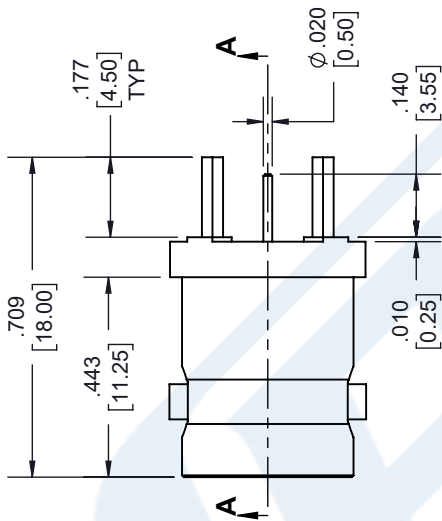
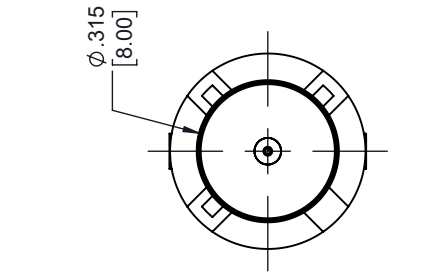
URL: <https://www.pasternack.com/bnc-female-pcb-connector-pe40010-p.aspx>

The information contained in this document is accurate to the best of our knowledge and representative of the part described herein. It may be necessary to make modifications to the part and/or the documentation of the part, in order to implement improvements. Pasternack reserves the right to make such changes as required. Unless otherwise stated, all specifications are nominal. Pasternack does not make any representation or warranty regarding the suitability of the part described herein for any particular purpose, and Pasternack does not assume any liability arising out of the use of any part or documentation.

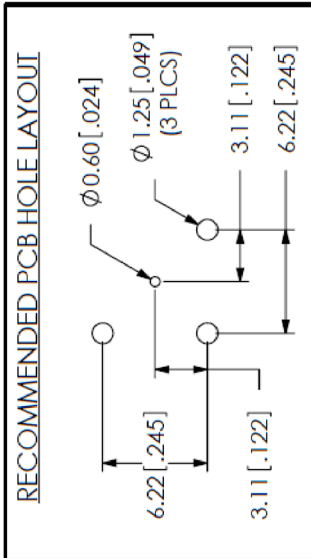
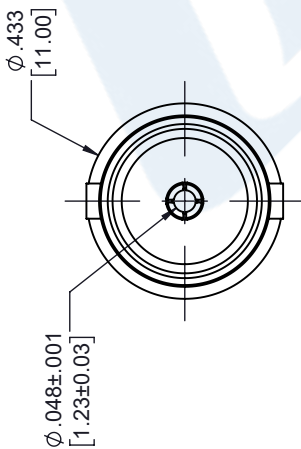
PE40010 CAD Drawing

12G SDI 75 Ohm BNC Female Connector Solder Attachment Thru Hole PCB

REVISIONS			
REV.	DESCRIPTION	DATE	APPROVED
A	INITIAL RELEASE	12/10/2021	A. GANWANI



SECTION A-A



UNLESS OTHERWISE SPECIFIED LEADING DIMENSIONS ARE INCHES DIMENSIONS IN [] ARE MILLIMETERS

TOLERANCES:

.X = ±.2 [5.08] FRACTIONS ±.1/32
 .XX = ±.02 [51] ±.1/32
 .XXX = ±.005 [13] ANGLES ± 1°

CABLE LENGTH (L), TOLERANCES:
 L ≤ 12 [305] = +1 [25] / -0
 12 [305] < L ≤ 60 [1524] = +2 [51] / -0
 60 [1524] < L ≤ 120 [3048] = +4 [102] / -0
 120 [3048] < L ≤ 300 [7620] = +6 [152] / -0
 300 [7620] < L = +5% / -0

ALL DIMENSIONS SHOWN ARE FOR REFERENCE ONLY.

THIRD-ANGLE PROJECTION

THE INFORMATION AND DESIGN IN THIS DOCUMENT IS THE PROPERTY OF PASTERNAK CORPORATION ALL RIGHTS RESERVED.

SHEET 1 OF 1

SCALE N/A

PE PASTERNAK
 an INFINITE brand

Pasternack Enterprises, Inc.
 P. O. Box 16759, Irvine, CA 92623.
 Phone: 1.949.261.1920 | 1.866.727.8376
 Fax: 1.949.261.7451
 Website: www.pasternack.com
 E-mail: sales@pasternack.com

SIZE A CAGE CODE 53919 DRAWN BY K.DANG ITEM NO. PE40010 REV A

THESE COMMODITIES, TECHNOLOGY OR SOFTWARE WERE EXPORTED FROM THE UNITED STATES IN ACCORDANCE WITH THE EXPORT ADMINISTRATION REGULATIONS. DIVERSION CONTRARY TO U.S. LAW PROHIBITED.