

THIS DRAWING IS UNPUBLISHED. RELEASED FOR PUBLICATION  
 © COPYRIGHT - TE Connectivity Ltd. ALL RIGHTS RESERVED.

REVISIONS					
P	LTR	DESCRIPTION	DATE	DWN	APVD
	A	INITIAL RELEASE	17AUG2020	VR	MB

**RUGGED**

- Hermetically sealed
- Corrosion protected metal can
- All welded construction. No solder sealing

**SPACE AND WEIGHT SAVING**

- 1.5 inch cube enclosure
- 0.452 lbs

**CAPABLE**

- Excellent for switching harsh inductive, motor, and lamp loads
- -70°C to +125°C temperature range
- 80,000 feet altitude rating

**VERSATILE**

- 28 Vdc or 115 Vac coils
- Solder hook or terminal block configurations

**MECHANICAL/ENVIRONMENTAL**

- **Temperature Range:** -70°C to +125°C
- **Altitude:** 80,000 feet
- **Sinusoidal Vibration:** 10 g/5 to 1000 Hz
- **Shock:** 50 g/11 ms

**ELECTRICAL**

- **Dielectric Strength at Sea Level:**  
 Coil to Case: 1250 V<sub>rms</sub>  
 All Other Points: 1500 V<sub>rms</sub>
- **Dielectric Strength at 80,000 ft (25,000 m):** 500 V<sub>rms</sub> (all points)
- **Insulation Resistance at 500 Vdc:**  
 Initial: 100 MΩ min.  
 After Life or Environmental Test: 50 MΩ min.
- **Contact Voltage Drop at Nominal Current:**  
 Initial Value: 150 mV max.  
 After Life: 175 mV max.

**OPERATIONAL**

- **Operate Time at Nominal Voltage:**  
 AC: 25 ms max.  
 DC: 20 ms max.
- **Release Time at Nominal Voltage:**  
 AC: 50 ms max.  
 DC: 10 ms max.
- **Bounce Time at Nominal Voltage:** 2 ms max.

**APPLICATIONS**

- Launch Systems
- Power Distribution
- Fuel Pumps
- Guidance and Navigation Systems
- Aircraft Galley/Cabin Equipment
- Weapons Systems
- Ground Support Equipment

**Coil Characteristics**


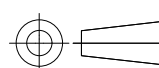
	AC Coil	DC Coil
Nominal Operating Voltage	115 Vac	28 Vdc
Maximum Operating Voltage	122 Vac	32 Vdc
Maximum Pick-Up Voltage at +125° C	95 Vac	18 Vdc
Maximum Pick-Up Voltage at +125° C (Continuous Current test)	108 Vac	22.5 Vdc
Drop-Out Voltage at +125° C (Amps Max)	5.0 Vac	1.5 Vdc
Coil Current at +25° C	.06 A @ 50/60 Hz 0.055 A @ 400 Hz	—
DC Coil Resistance (±10%)	—	160 Ω
Back EMF Suppresses to (Vdc) (Suppressed Versions)	—	42 Vdc

**Contact Characteristics**

Load Type	Life Cycles	Current Rating (A)				
		28 Vdc	115 Vac, 1 Phase Power		115/200 Vac, 3 Phase Power	
			400 Hz	50/60 Hz	400 Hz	50/60 Hz
Resistive	50,000	25	25	25	25	25
Inductive	10,000	15	25	25	25	25
Motor	50,000	20	20	12	20	12
Lamp	50,000	10	10	10	10	10
Mechanical Life, Reduced Current	200,000	6.3	6.3	6.3	6.3	6.3

**Part Numbers (With 2A 28VDC SPDT Auxiliary Contact)**

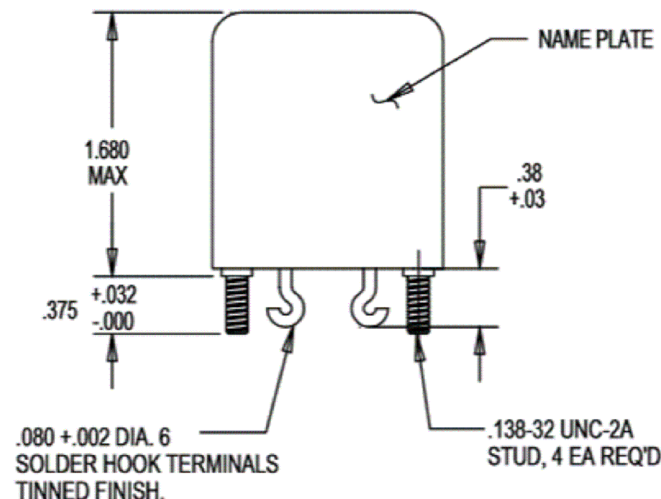
Coil	Terminal	Mounting	Comm1 Part No.
28 Vdc	Solder Hook	Stud	FCC-325-CW3
28 Vdc (Suppressed)	Solder Hook	Stud	FCC-325-CW4
115 Vac, 50/60 Hz	Solder Hook	Stud	FCC-325-CW9
115 Vac, 400 Hz	Solder Hook	Stud	FCC-325-CW8

THIS DRAWING IS A CONTROLLED DOCUMENT.		DWN VR 17AUG2020	 TE Connectivity		
DIMENSIONS: INCHES		CHK RS 17AUG2020			
		APVD MB 17AUG2020	NAME FCC-325-SERIES		
TOLERANCES UNLESS OTHERWISE SPECIFIED:		PRODUCT SPEC	-		
0 PLC ± -		APPLICATION SPEC	-		
1 PLC ± -		WEIGHT	-		
2 PLC ± -		SIZE	A3	CAGE CODE	-
3 PLC ± -		DRAWING NO	G-FCC-325-SERIES		
4 PLC ± -		RESTRICTED TO	-		
ANGLES ± -		CUSTOMER DRAWING	SCALE	NTS	SHEET 1 OF 2
MATERIAL -		FINISH -	REV A		

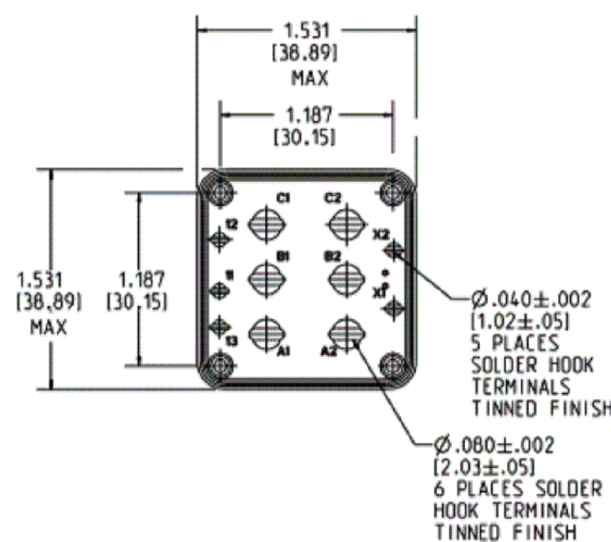
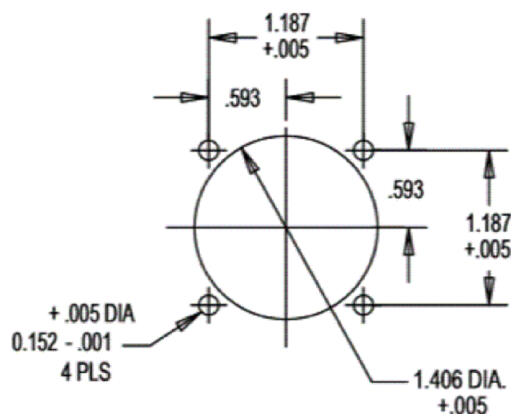
REVISIONS

P	LTR	DESCRIPTION	DATE	DWN	APVD
-	-	SEE SHEET 1	-	-	-

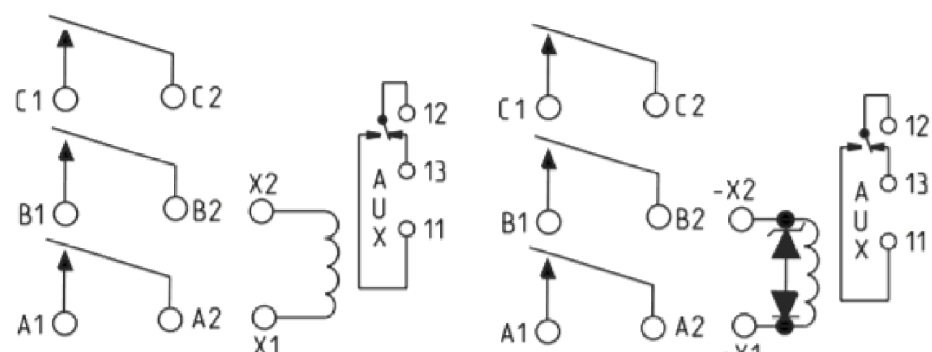
### Dimensions Solder Hook Terminals (Shown with Mounting Studs)



### Mounting Layout



### Circuit Diagram



Circuit Diagram C  
(DC Nonsuppressed and AC Coils  
with Aux)

Circuit Diagram D  
(DC Suppressed Coils  
with Aux)

ALL DIMENSIONS ARE IN INCHES

THIS DRAWING IS A CONTROLLED DOCUMENT.		DWN VR	17AUG2020	TE Connectivity	
		CHK RS	17AUG2020		
		APVD MB	17AUG2020		
DIMENSIONS: INCHES		TOLERANCES UNLESS OTHERWISE SPECIFIED:		NAME FCC-325-SERIES	
		0 PLC	± -	PRODUCT SPEC	
		1 PLC	± -	-	
		2 PLC	± -	APPLICATION SPEC	
		3 PLC	± -	-	
MATERIAL		FINISH		SIZE	RESTRICTED TO
-		-		A3	-
				CAGE CODE	DRAWING NO
				-	©-FCC-325-SERIES
				WEIGHT	SCALE
				-	NTS
				SHEET 2 OF 2	
				REV A	
				CUSTOMER DRAWING	