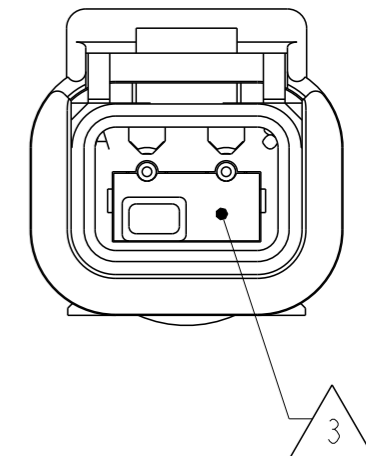
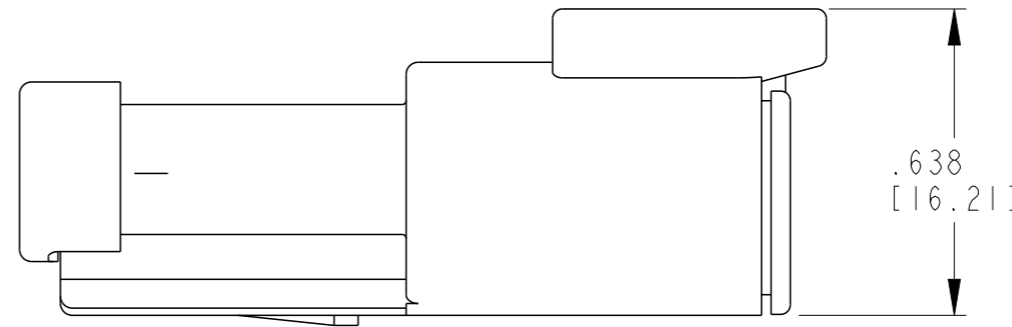
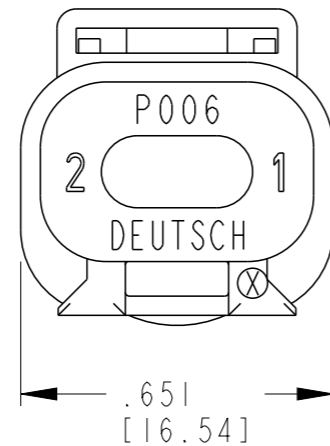
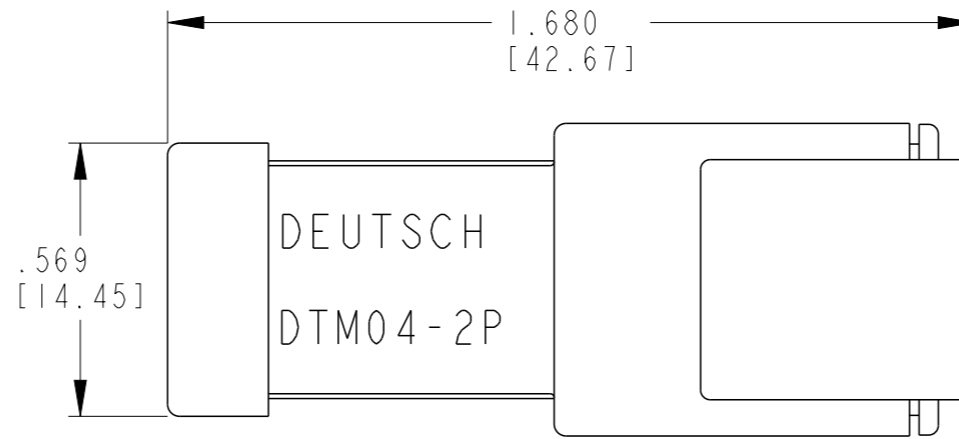
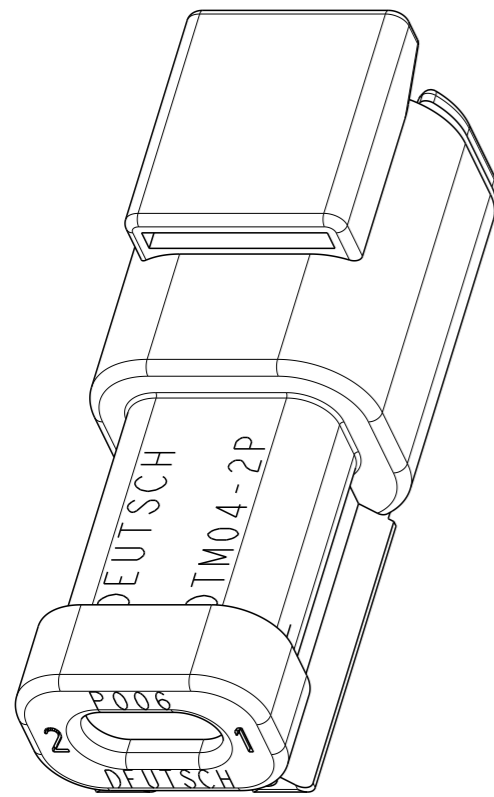


P	LTR	DESCRIPTION	DATE	DWN	APVD
	NC	NEW RELEASE PER E.O. P15942	3-12-99	RDR	RDR
	A	REVISED PER E.O. P17776	3/24/02	RDR	RDR
	B	REVISED PER E.O. P20078	11-20-08	RDR	RDR
	B1	REVISED PER PCN-22-138488	09MAY2022	MR	IG



7. MATERIAL - HOUSING: PA66 GF15 (GRAY); GROMMET/SEAL: VMQ (RED/ORANGE)

6. CONTACT FACTORY FOR SAE J1939-15 CONNECTOR USAGE.

5. THIS RECEPTACLE MATES WITH DTM06-2S-\*\*\*\* PLUG.  
(\*\*\*\* = ALL MODIFICATIONS)

4. INTERNAL RESISTOR: 110Ω MIN., 120Ω NOM., 130Ω MAX., .4 WATTS MIN..

3. SECONDARY WEDGE LOCK IS INCLUDED WITH RECEPTACLE.

2. DELETED.

1. DELETED.

NOTES: UNLESS OTHERWISE SPECIFIED

THIS DRAWING IS A CONTROLLED DOCUMENT.		DWN J. APOSTAL 05FEB2001				
		CHK V. TOMSA 13FEB2001				
		APVD R. REED 15FEB2001	NAME RECEPTACLE, A KEY 2 CONTACTS W/ RESISTOR COLOR: GREY DTM SERIES			
DIMENSIONS: INCHES [mm]		PRODUCT SPEC 108-151010	SIZE A3	CAGE CODE 00779	DRAWING NO G=DTM04-2P-P006	RESTRICTED TO -
TOLERANCES UNLESS OTHERWISE SPECIFIED: 0 PLC ± 1 PLC ± 2 PLC ± 3 PLC ±.025 [0.64] 4 PLC ± ANGLES ±		APPLICATION SPEC 114-151010	SCALE 2:1		SHEET 1 OF 1	REV B1
MATERIAL 7		WEIGHT -	CUSTOMER DRAWING			