

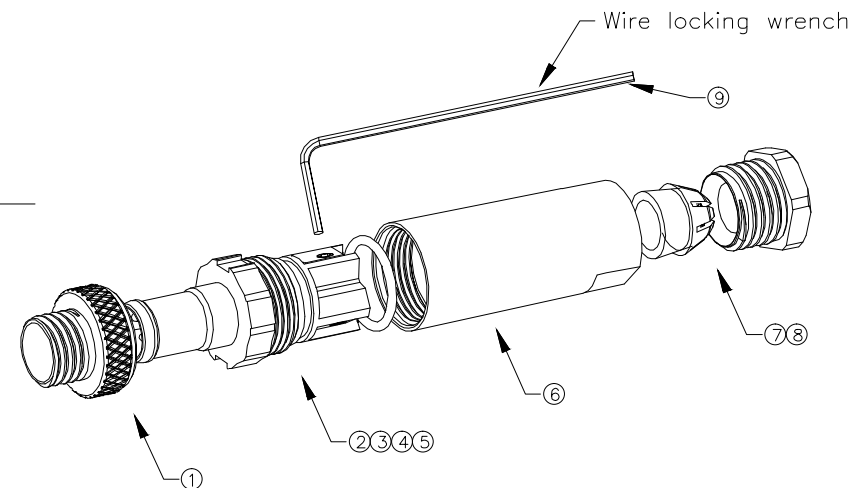
TERMINATION: SCREW

③ Detailed Product Description:
 Waterproof connector rating is IP67
 They can not be used permanently under water
 Per ISO-20653,IEC60529

Mechanical characteristics: mating / cycle >100cycle
 Operating temperature: -25°C ~ +85°C

Electrical character ③

Part Number	Contacts	Rated voltage		Rated current	Contact Resistance	Cable OD (mm)
		A/C	D/C			
A-M08-03-MGPA-GEB1		60V	60V	3A	10mΩ	3~4.5
A-M08-04-MGPA-GEB1		30V	30V	3A	10mΩ	3~4.5



③			
⑨	M8 ASSEMBLY HEXAGON WRENCH LRON	1	PCS
⑧	TAIL PLASTIC SCREW PA66	1	PCS
⑦	M8 WATERPROOF PARTS PA66, NBR	1	SET
⑥	M8 PLASTIC ASSEMBLING SHELL L=27.3mm PA66	1	PCS
⑤	BLACK SILICONE O-RING SILICON	1	PCS
④	M2*0.4 HEXAGON SOCKET SCREW LRON	3	PCS
③	M8 MALE TERMINAL BRASS GOLD 1u"	3	PCS
②	M8 A/M 3P HOUSING PA66	1	PCS
①	M8 ASSEMBLED MALE NUT BRASS NICKEL 100u"	1	PCS
ITEM	SPECIFICATION	Q'TY	UNI

RoHS compliant
Unit: mm

Scale	Free				Date	Name	Customer-No.
TOLERANCE					Drawn	30.10.2018	Segal
.X	±0.5						
.XX	±0.20	③	Update	29.12.2021	Luca	Approved	29.12.2021
		②	Remove "resistance many oils and chemical" from notes	06.09.2019	Amy		
DIM	TOL	①	Update the notes	27.04.2019	Segal		
X.	±2.0°						
.X	±1.0°	①	Drawn	30.10.2018	Segal		
Angle	TOL	Id.	Modification	Date	Name		

ASSMANN WSW-No. A-M08-xx-MGPA-GEB1	
Drawing-No. ASS 8257 CO	rev03
Replace	Sheet