

**Contact Information**

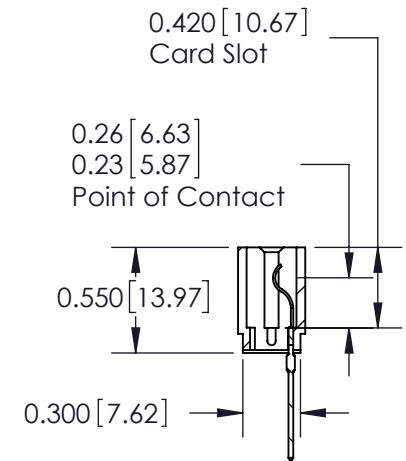
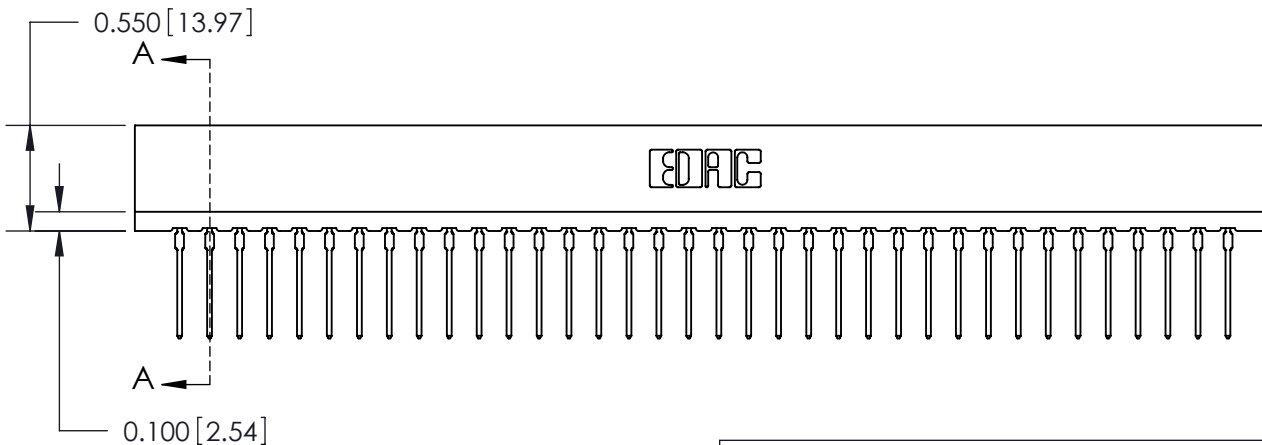
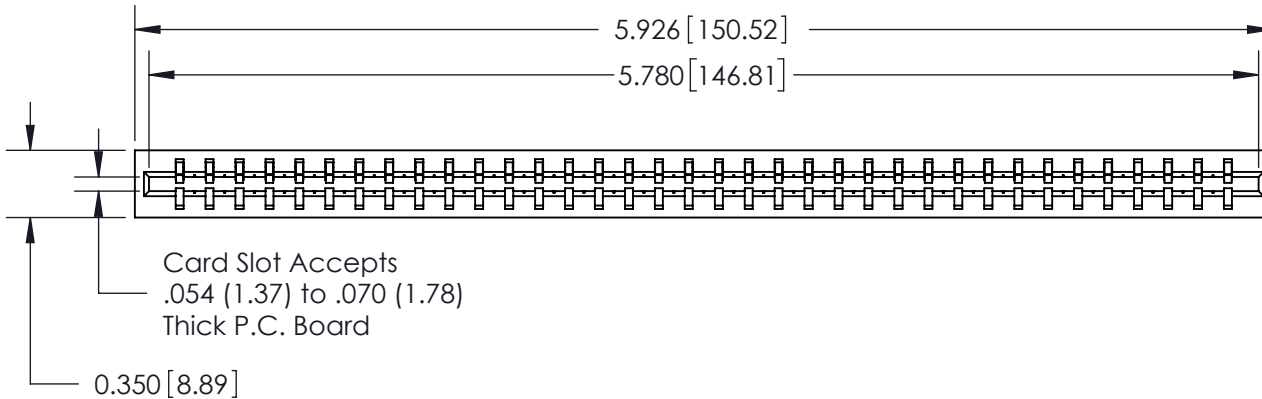
**540-Wire Wrap, Regular Point - Tail LG.=.560(14.22)  
 .156" (3.96mm) Contact Spacing x .200" (5.08mm) Row Spacing**

THIS IS A C.A.D. GENERATED DRAWING  
 DO NOT MAKE MANUAL REVISIONS TO MASTER.



ISSUE NUMBER

ORIGINAL ①



SECTION A-A

**Note:**  
**MBB switching contacts assembled in specified positions are available on request.**

717 Series Ultra-Mate Card Edge Connector - Press Fit

Part Number: 717-036-540-101



YOUR CONNECTION TO QUALITY & SERVICE

EDAC INC  
 TORONTO, ONTARIO  
 CANADA

THESE DRAWINGS AND SPECIFICATIONS ARE THE PROPERTY OF EDAC INC. AND SHALL NOT BE REPRODUCED, OR COPIED OR USED AS THE BASIS FOR THE MANUFACTURE OR SALE OF APPARATUS WITHOUT WRITTEN PERMISSION.

|                    |                |                 |
|--------------------|----------------|-----------------|
| ACAD REFERENCE NO. | 717-ENG MASTER |                 |
| DRAWN:             | J.LEE          | DATE: AUG.28/09 |
| CHECKED:           | DATE:          |                 |
| SCALE:             | SHEET 1 OF 1   |                 |
| DRAWING NUMBER     | 717-ENG MASTER | ISSUE           |
|                    |                | 1               |