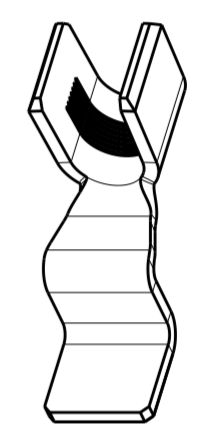
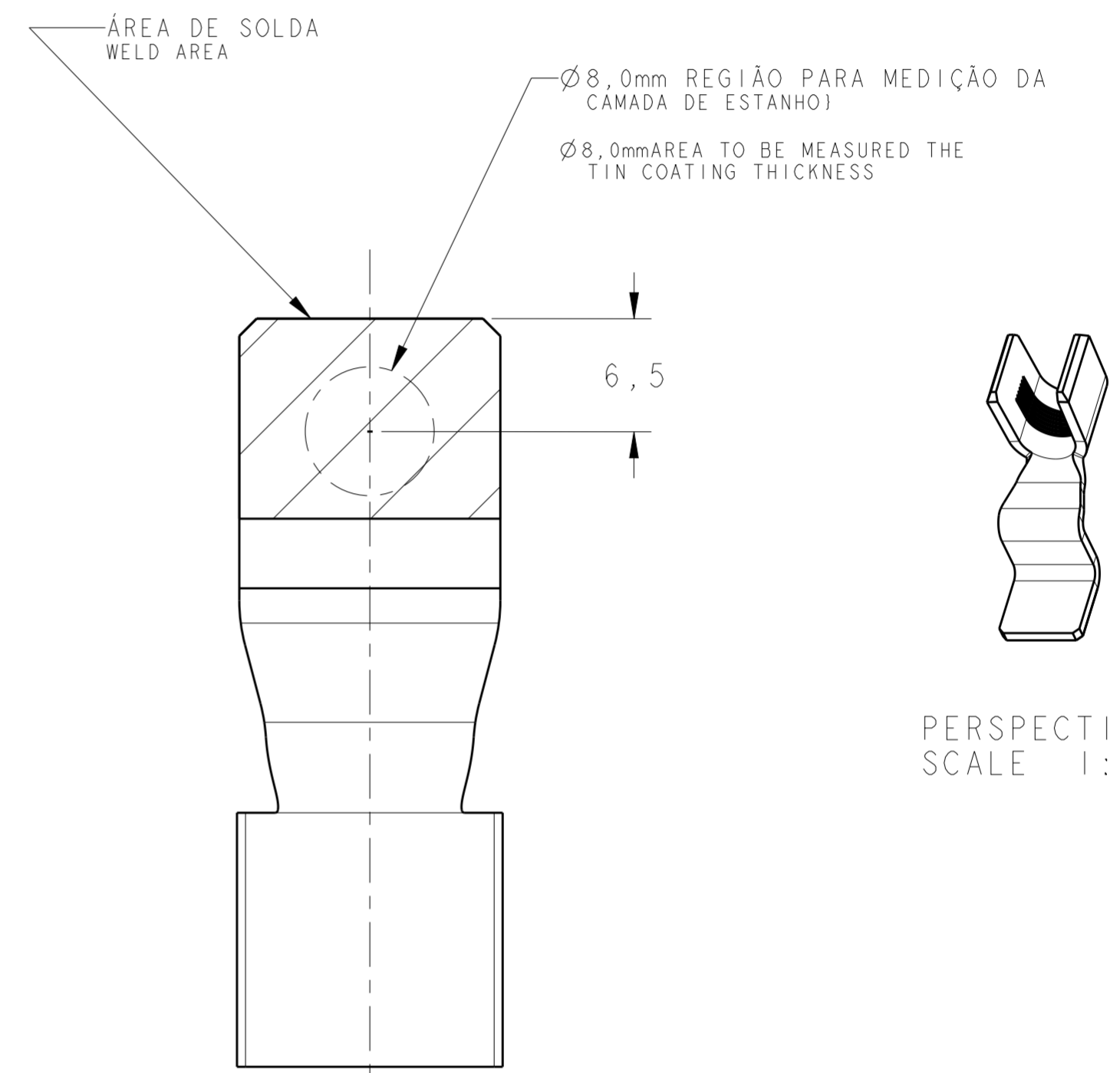
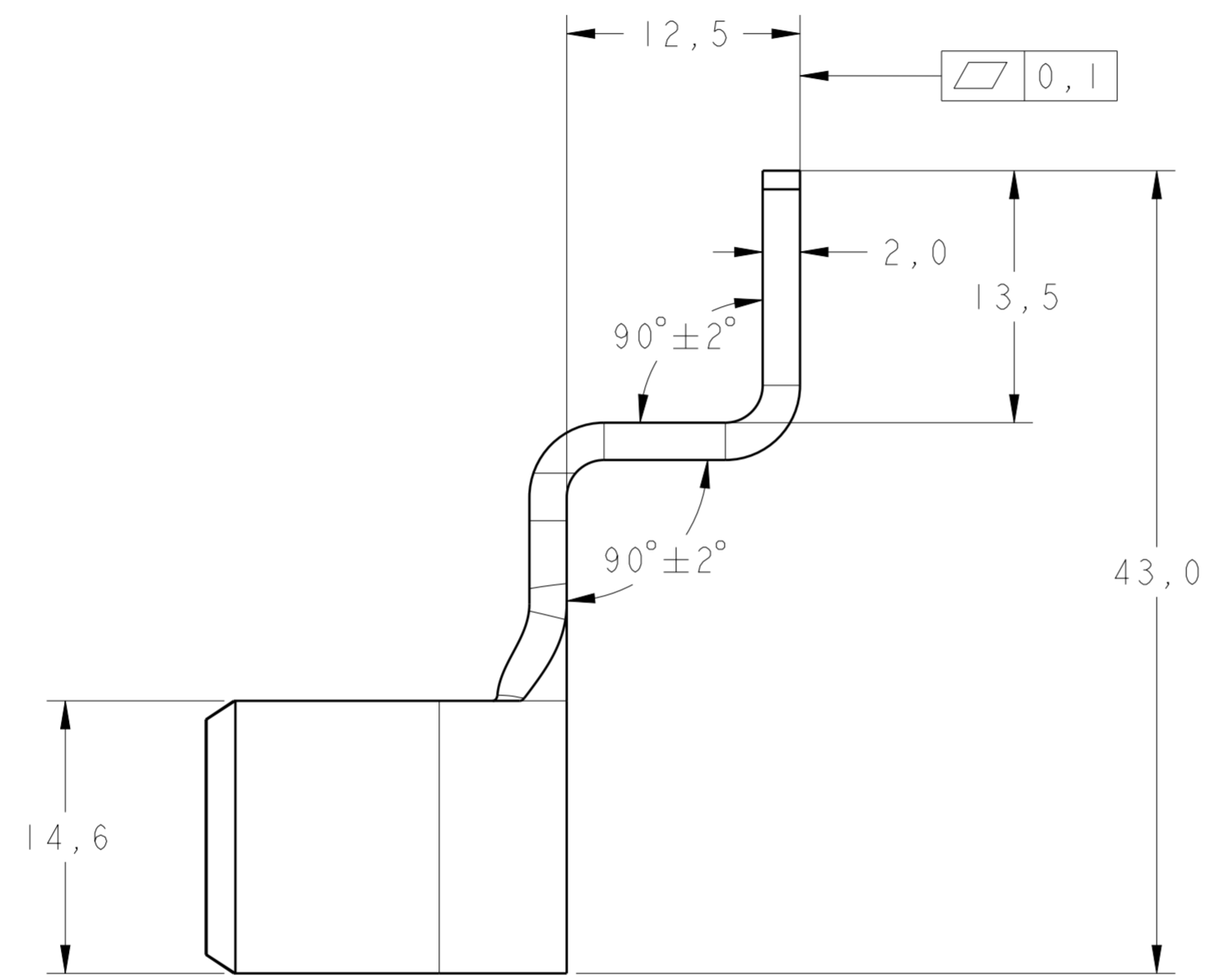
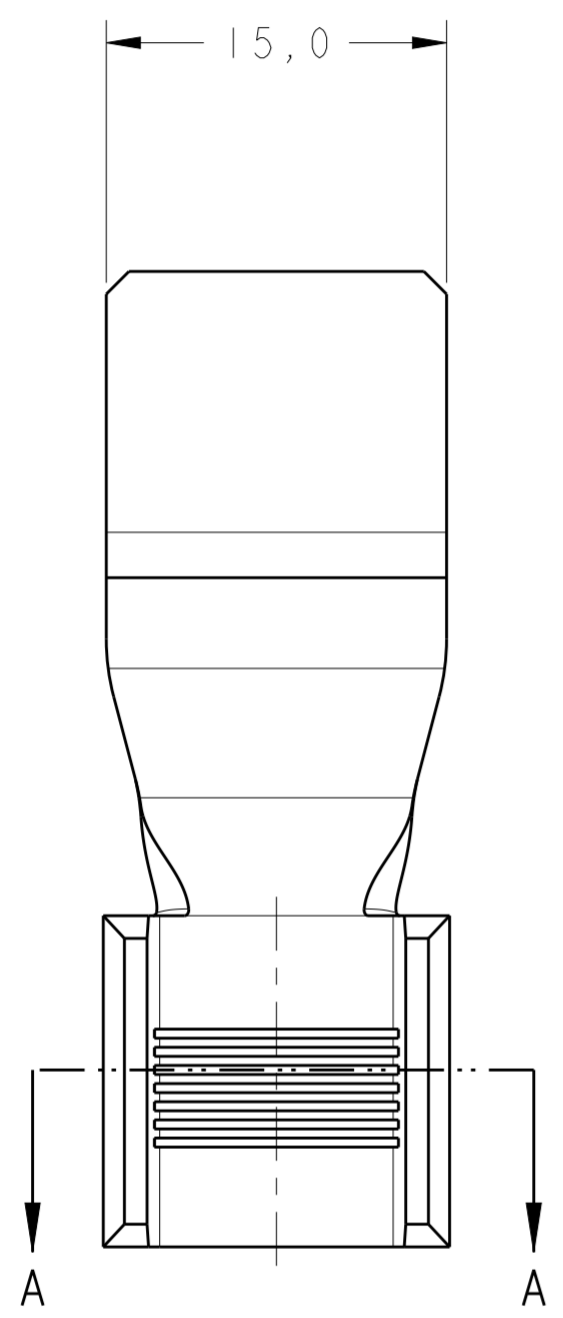
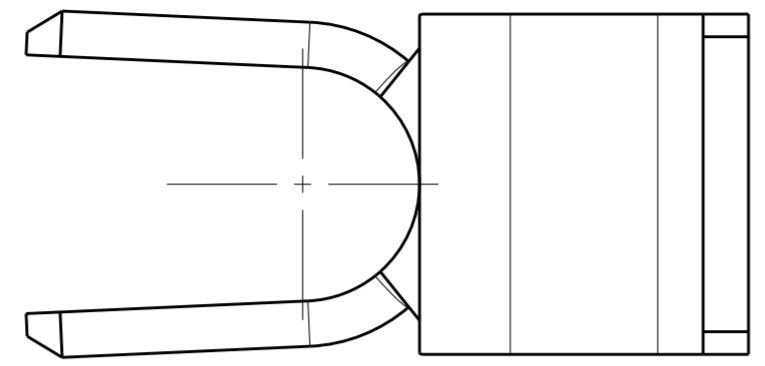


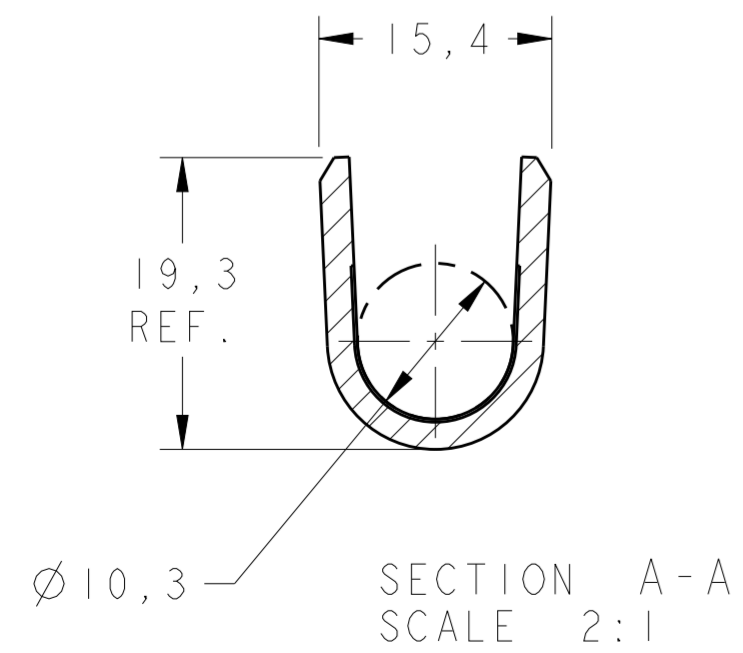
THIS DRAWING IS UNPUBLISHED. RELEASED FOR PUBLICATION 20
 © COPYRIGHT 20 BY - ALL RIGHTS RESERVED.

LOC		DIST		REVISIONS			
P	LTR	DESCRIPTION	DATE	DWN	APVD		
AP	-	A	REVISED BY RSA20177-01	09JUN2020	PSB	DAO	



PERSPECTIVE VIEW
SCALE 1:1

△ - ESTANHADO 6 ~ 16µm SEM NIQUEL, ESPECIF. TEC 112-16-3
 - TINNED 6 ~ 16µm WITHOUT NICKEL, SPEC. TEC 112-16-3



50 mm2	—	LATÃO / BRASS	2133250-3
50 mm2	ESTANHADO/TINNED △	LATÃO / BRASS	2133250-2
50 mm2	ESTANHADO/TINNED △	LATÃO / BRASS	2133250-1
WIRE RANGE	FINISH	MATERIAL	PART NUMBER
THIS DRAWING IS A CONTROLLED DOCUMENT.		DWN F. CHAPELA 11FEB2011 CHK J. R. GOLDSCHMIDT 11FEB2011 APVD M. I. OGAWA 11FEB2011	
DIMENSIONS: mm TOLERANCES UNLESS OTHERWISE SPECIFIED: 0 PLC ± 1 PLC ±0,3 2 PLC ± 3 PLC ± 4 PLC ± ANGLES ±° FINISH		NAME BMS BATTERY CLAMP SIZE A2 CAGE CODE - DRAWING NO. C-2133250 RESTRICTED TO - SCALE 1:1 SHEET OF REV A	
MATERIAL	SEE TABLE	FINISH	SEE TABLE
CUSTOMER DRAWING			

