

THIS DRAWING IS UNPUBLISHED.

RELEASED FOR PUBLICATION

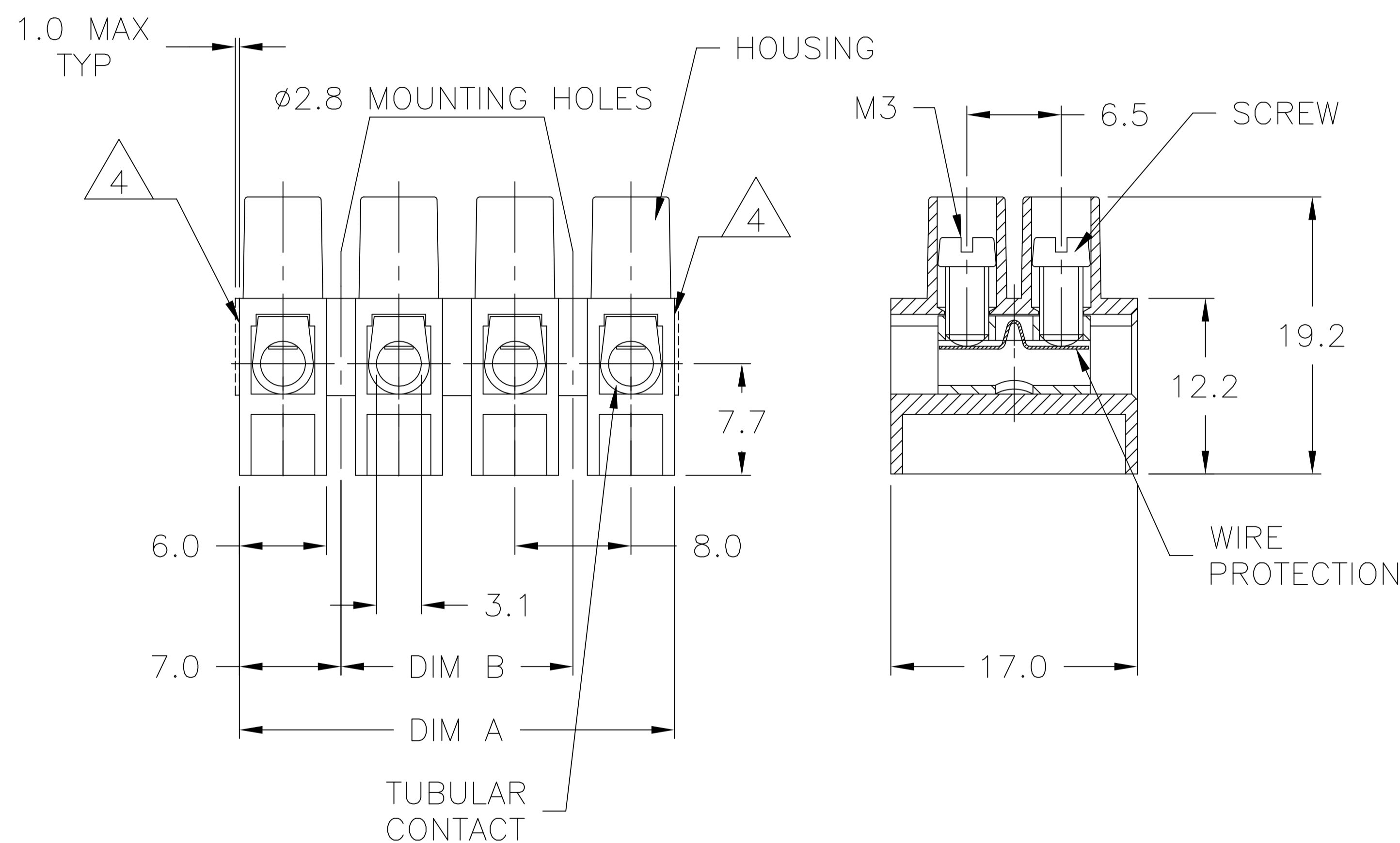
© COPYRIGHT - TE Connectivity Ltd.

ALL RIGHTS RESERVED.

REVISIONS

P	LTR	DESCRIPTION	DATE	DWN	APVD
P		CUTTING BURR DETAILS ADDED	20NOV2018	RK	PS

- MATERIAL:
HOUSING: POLYAMIDE 6, UL94V-2.
COLOR: NATURAL (OFF WHITE)
TUBULAR CONTACT: BRASS TIN, PLATED.
SCREWS: M3, STEEL, ZINC PLATED W/ NON-HEXAVALENT CHROMATE (CHROME III).
WIRE PROTECTOR: STAINLESS STEEL.
 - ELECTRICAL:
CURRENT RATING: 30A.
OPERATING VOLTAGE: 250V.
WIRE RANGE: 16-26 AWG.
 - CONTINUOUS OPERATING TEMP.: 100°C MAX.
- △ CUTTING PROJECTION CAN BE ON BOTH SIDES DEPENDING ON CUTTING LOCATION.
5. CUTTING BURR MAX. 1mm ALLOWED.



1776322-4 AS SHOWN

80.0	94.0	12	TSB23012DSDM	1-1776322-2
72.0	86.0	11	TSB23011DSDM	1-1776322-1
64.0	78.0	10	TSB23010DSDM	1-1776322-0
56.0	70.0	9	TSB23009DSDM	1776322-9
48.0	62.0	8	TSB23008DSDM	1776322-8
40.0	54.0	7	TSB23007DSDM	1776322-7
32.0	46.0	6	TSB23006DSDM	1776322-6
24.0	38.0	5	TSB23005DSDM	1776322-5
16.0	30.0	4	TSB23004DSDM	1776322-4
8.0	22.0	3	TSB23003DSDM	1776322-3
-	14.0	2	TSB23002DSDM	1776322-2
-	6.0	1	TSB23001DSDM	1776322-1
DIM B	DIM A	NO. OF POS.	CATALOG NUMBER	TE PART NUMBER

THIS DRAWING IS A CONTROLLED DOCUMENT.		DWN S SCHLEGEL 3/21/05	STE TE Connectivity Ltd.	
DIMENSIONS: mm		CHK C RICHARD 3/21/05		
TOLERANCES UNLESS OTHERWISE SPECIFIED:		APVD C RICHARD 3/21/05	NAME 8mm PITCH, TERMINAL BLOCK - HIGH CURRENT W/ WIRE PROTECTOR	
0 PLC ± - 1 PLC ± 0.3 2 PLC ± 0.25 3 PLC ± - 4 PLC ± - ANGLES ± 2'		PRODUCT SPEC -	APPLICATION SPEC -	
MATERIAL SEE NOTES	FINISH SEE NOTES	WEIGHT -	SIZE A3	CAGE CODE 00779
		DRAWING NO C=1776322		RESTRICTED TO -
		CUSTOMER DRAWING		SCALE NTS
		SHEET 1 OF 1		REV P