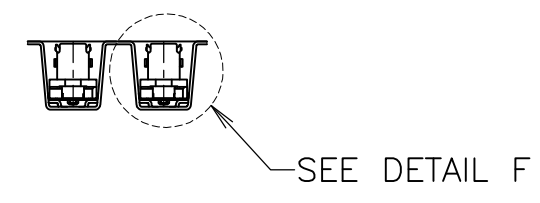
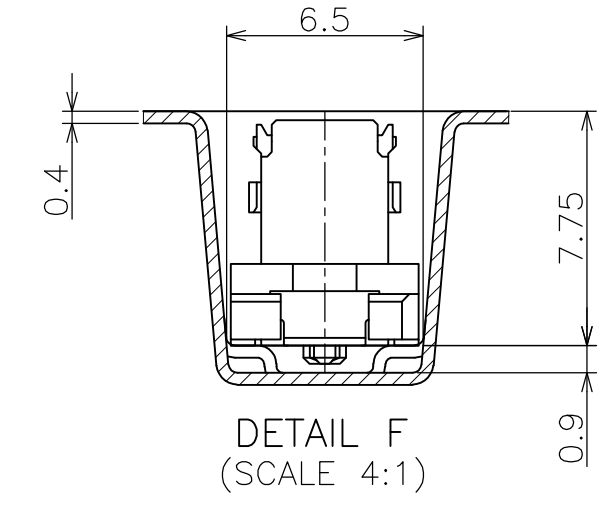
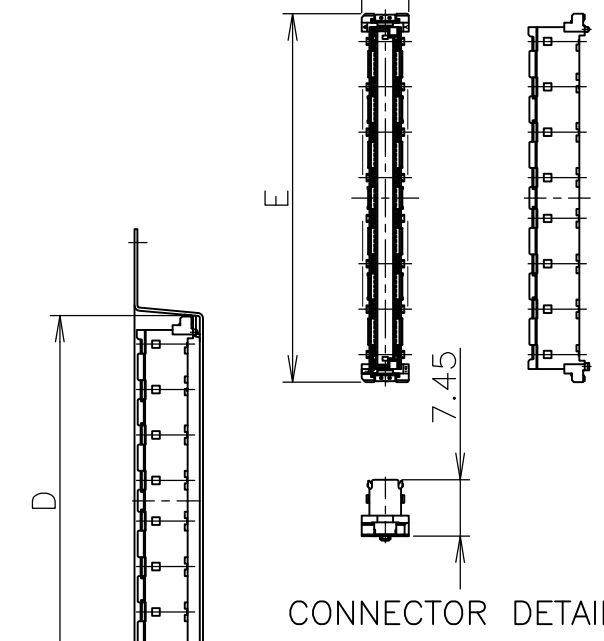
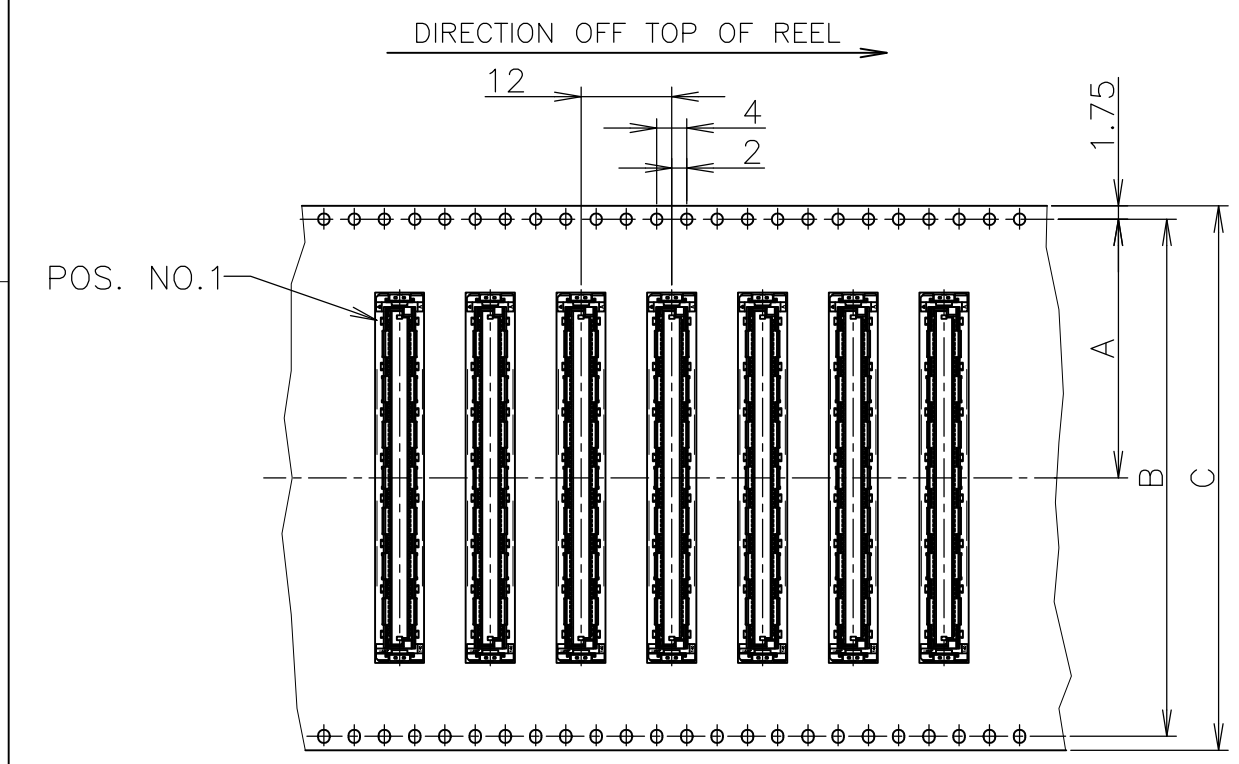
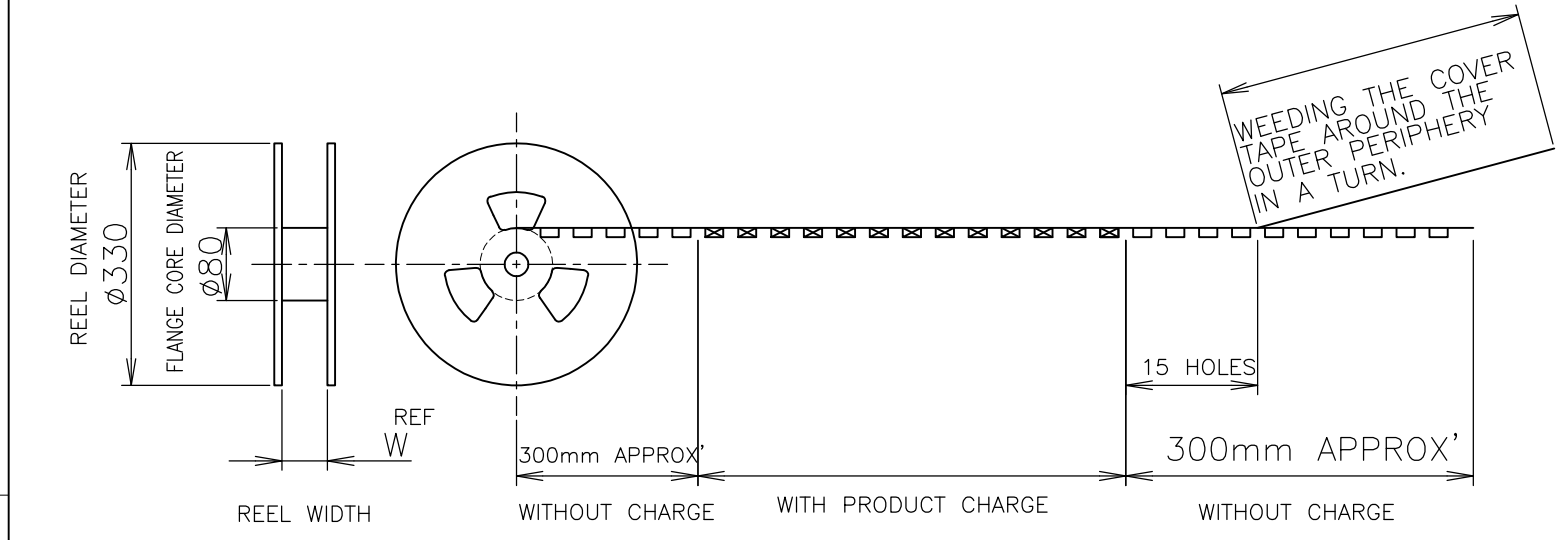


THIS DRAWING IS UNPUBLISHED. RELEASED FOR PUBLICATION JUN , 1996.  
 © COPYRIGHT 1996 By - ALL RIGHTS RESERVED.

LOC	DIST	REVISIONS					
J		P	LTR	DESCRIPTION	DATE	DWN	APVD
			A1	REVISED ECR-15-005119	02APR2015	I.T	W.H
			B	REVISED PER ECO-17-002393	27MAY17	B.J	S.Y



SEALANT	TOOLING STATUS	QTY.	W	E	D	C	B	A	POS.	PART NO.
NOT AVAILABLE		600	77.5	54.7	55	72	68.4	34.2	160	6-5353187-1
AVAILABLE		↑	77.5	48.7	49	72	68.4	34.2	140	6- - -0
NOT AVAILABLE			61.5	42.7	43	56	52.4	26.2	120	5- - -9
↑			61.5	36.7	37	56	52.4	26.2	100	5- - -8
↑			61.5	33.7	34	56	52.4	26.2	90	5- - -7
NOT AVAILABLE			49.5	30.7	31	44	40.4	20.2	80	5- - -6
NOT AVAILABLE			49.5	27.7	28	44	40.4	20.2	70	5- - -5
NOT AVAILABLE			49.5	24.7	25	44	40.4	20.2	60	5- - -4
↑			37.5	21.7	22	32	28.4	14.2	50	5- - -3
↑			37.5	18.7	19	32	28.4	14.2	40	5- - -2
NOT AVAILABLE		600	29.5	15.7	16	24	-	11.5	30	5-5353187-1
↑		600	77.5	54.7	55	72	68.4	34.2	160	1-5353187-1
↑		↑	77.5	48.7	49	72	68.4	34.2	140	1- - -0
NOT AVAILABLE			61.5	42.7	43	56	52.4	26.2	120	- - -9
↑			61.5	36.7	37	56	52.4	26.2	100	- - -8
↑			61.5	33.7	34	56	52.4	26.2	90	- - -7
↑			49.5	30.7	31	44	40.4	20.2	80	- - -6
↑			49.5	27.7	28	44	40.4	20.2	70	- - -5
↑			49.5	24.7	25	44	40.4	20.2	60	- - -4
↑			37.5	21.7	22	32	28.4	14.2	50	- - -3
↑			37.5	18.7	19	32	28.4	14.2	40	- - -2
NOT AVAILABLE		600	29.5	15.7	16	24	-	11.5	30	5353187-1



WEEDING THE COVER TAPE AROUND THE OUTER PERIPHERY IN A TURN.

3 THIS PRODUCT WAS COATED BY FLUX-PENETRATION -INHIBITING AGENT.

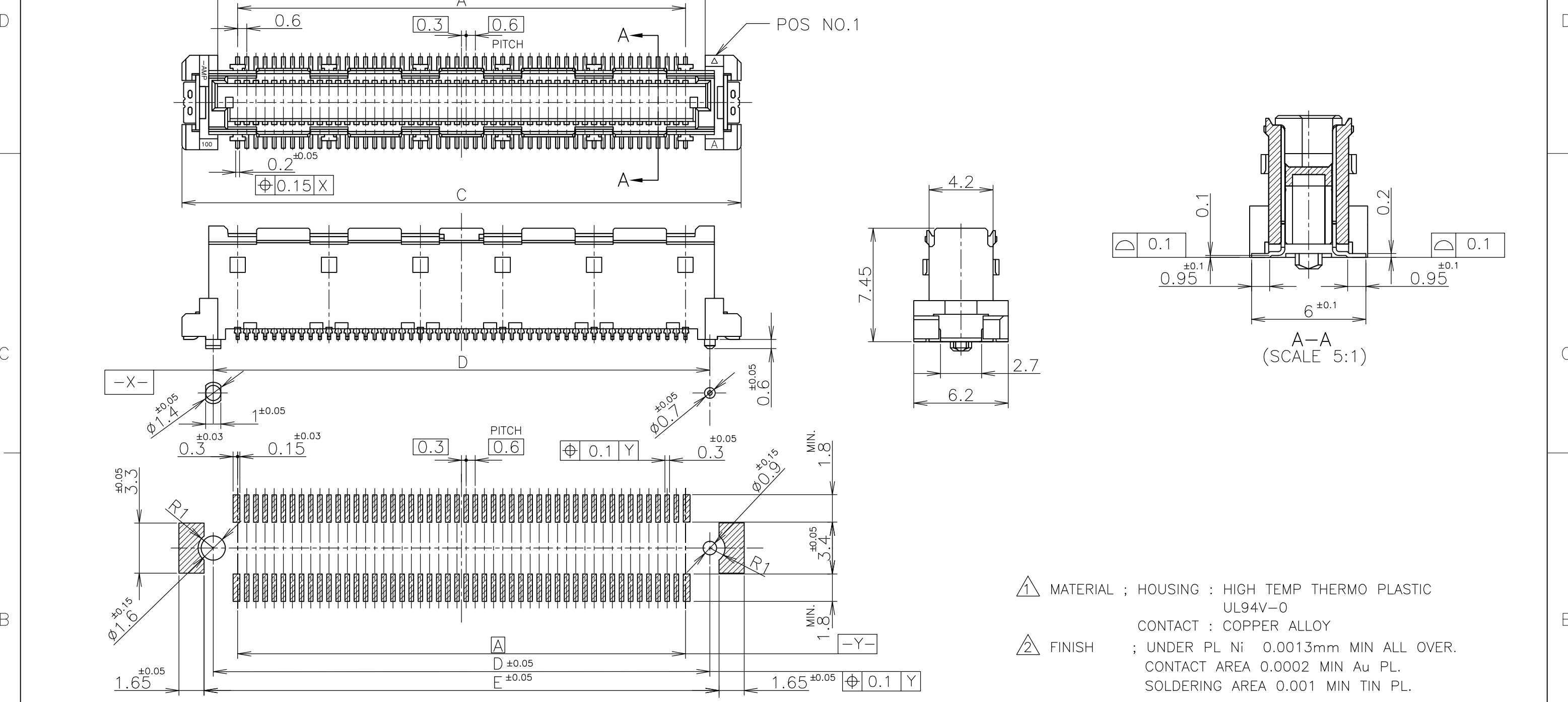
THIS DRAWING IS A CONTROLLED DOCUMENT.

DIMENSIONS: 单位: 耗 mm	TOLERANCES UNLESS OTHERWISE SPECIFIED: 一般公差	DWN HAWKING HE 20DEC04	 TE Connectivity	EMBOSS ASSY FH 0.6BTB CONNECTOR PLUG 8H STD TYPE	
	0 PLC ± 0.2	CHK STEVEN YAO 20DEC04			NAME 名称
	1 PLC ± 0.2	APVD I.ENOMOTO 20DEC04			PRODUCT SPEC
	2 PLC ± 0.2				製品規格
	3 PLC ± 0.2		APPLICATION SPEC	SIZE	
	4 PLC ± 0.2		取付適用規格	CAGE CODE	
	ANGLES ± 5'		WEIGHT	DRAWING NO	
MATERIAL 材料	FINISH 仕上			番号	
				RESTRICTED TO	

CUSTOMER DRAWING SCALE 1:1 SHEET 1 OF 2 REV B

THIS DRAWING IS UNPUBLISHED. RELEASED FOR PUBLICATION JUN , 1996.  
 © COPYRIGHT 1996 By - ALL RIGHTS RESERVED.

LOC	DIST	REVISIONS					
		P	LTR	DESCRIPTION	DATE	DWN	APVD
J		-		SEE SHEET 1	-	-	-



1 MATERIAL ; HOUSING : HIGH TEMP THERMO PLASTIC  
 UL94V-0  
 CONTACT : COPPER ALLOY

2 FINISH ; UNDER PL Ni 0.0013mm MIN ALL OVER.  
 CONTACT AREA 0.0002 MIN Au PL.  
 SOLDERING AREA 0.001 MIN TIN PL.

REFERENCE P.C.BOARD LAYOUT  
 (VIEW FROM CONN. MOUNTING SIDE)

AVAILABLE	51.8	50.6	54.7	50	47.4	160
AVAILABLE	45.8	44.6	48.7	44	41.4	140
NOT AVAILABLE	39.8	38.6	42.7	38	35.4	120
AVAILABLE	33.8	32.6	36.7	32	29.4	100
NOT AVAILABLE	30.8	29.6	33.7	29	26.4	90
NOT AVAILABLE	27.8	26.6	30.7	26	23.4	80
AVAILABLE	24.8	23.6	27.7	23	20.4	70
NOT AVAILABLE	21.8	20.6	24.7	20	17.4	60
↑	19.8	17.6	21.7	17	14.4	50
↑	15.8	14.6	18.7	14	11.4	40
NOT AVAILABLE	12.8	11.6	15.7	11	8.4	30
TOOLING STATUS	E	D	C	B	A	POS

GENERAL TOLERANCE  
 一般公差

10 ≥ ±0.2  
 30 ≥ >10: ±0.25  
 100 ≥ >30: ±0.3  
 ANGLES: ±3°

THIS DRAWING IS A CONTROLLED DOCUMENT.

DIMENSIONS: 単位: 耗 mm	TOLERANCES UNLESS OTHERWISE SPECIFIED: 一般公差	DWN	STE TE Connectivity	
	0 PLC ± -	CHK	NAME 名称	
	1 PLC ± -	APVD		
	2 PLC ± -	PRODUCT SPEC 製品規格	EMBOSS ASSY FH 0.6BTB CONNECTOR PLUG 8H STD TYPE	
	3 PLC ± -	APPLICATION SPEC 取付適用規格		
	4 PLC ± -	WEIGHT	SIZE	CAGE CODE
	ANGLES ± -	FINISH 仕上	A3	00779
MATERIAL 材料	1	CUSTOMER DRAWING	DRAWING NO 番号	G-5353187
	2	SCALE 尺度	4:1	SHEET 2 OF 2
				REV B