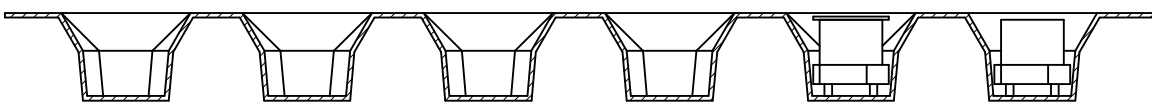
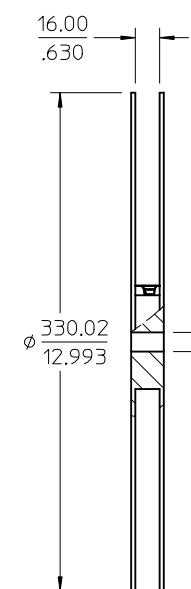


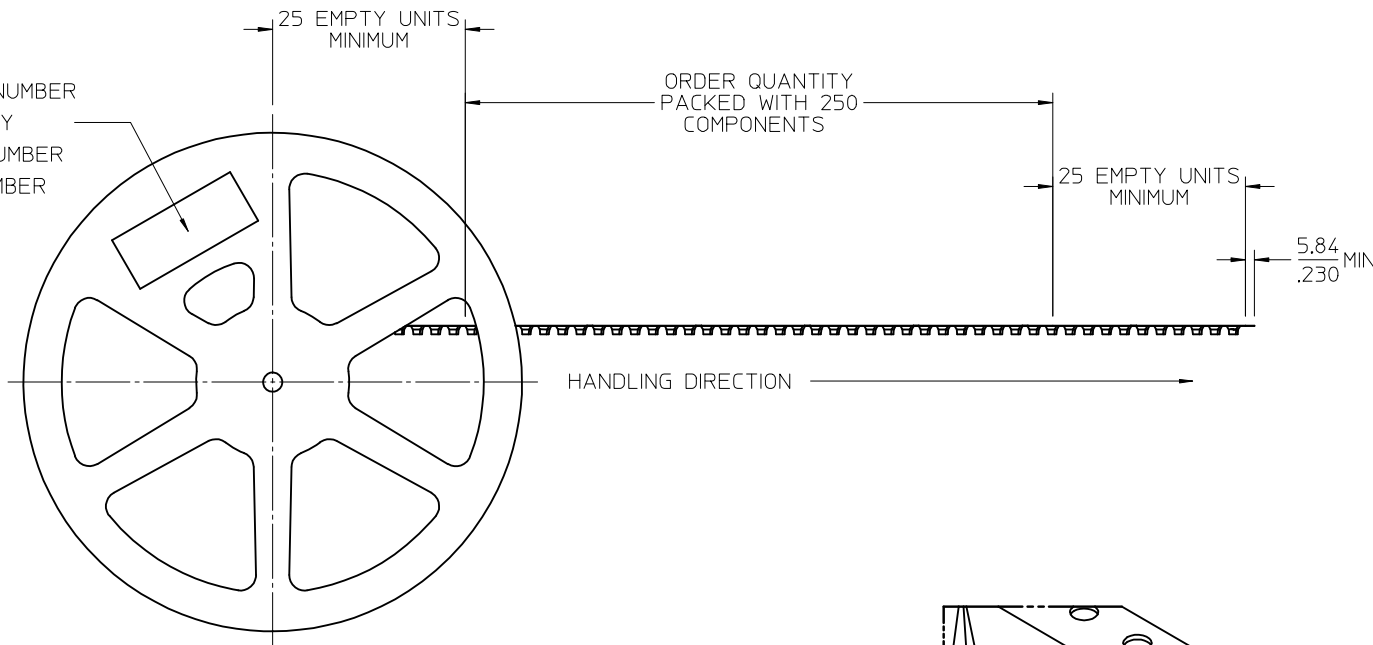
FOR -0232 & -0233



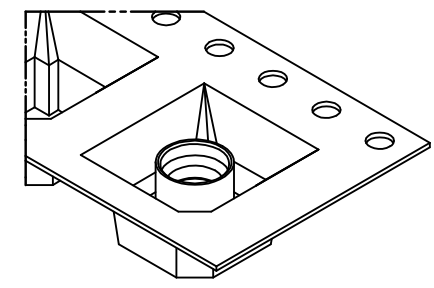
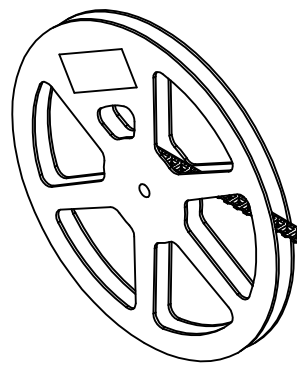
CHG:SEE SHEET 1 EC NO: URF2017-0003 DRW:RYEH CHKD: APPR:YCHENG 2016/07/04 2016/07/07	QUALITY SYMBOLS $\nabla = 0$ $\nabla = 0$ $\nabla = 0$	GENERAL TOLERANCES (UNLESS SPECIFIED)		DIMENSION STYLE MM/IN		SCALE	DESIGN UNITS METRIC	THIRD ANGLE PROJECTION	
		4 PLACES \pm --- \pm ---	3 PLACES \pm --- \pm ---	DRAWN BY RYEH	DATE 2012/04/24	TITLE SMP PLUG STR LD PCB TH GND SMT SIGNAL SMP-P/PCB			
		2 PLACES \pm --- \pm ---	1 PLACE \pm --- \pm ---	CHECKED BY KERRIE	DATE 2012/04/24	APPROVED BY MHUANG			
		0 PLACE \pm --- \pm ---	ANGULAR $\pm 2^\circ$	MATERIAL NO. SEE TABLE	DATE 2013/05/09	DOCUMENT NO. SD-73406-023	SHEET NO. 2 OF 4		
A3	DRAFT WHERE APPLICABLE MUST REMAIN WITHIN DIMENSIONS	SIZE C		THIS DRAWING CONTAINS INFORMATION THAT IS PROPRIETARY TO MOLEX INCORPORATED AND SHOULD NOT BE USED WITHOUT WRITTEN PERMISSION					



LABEL:
-ORDER NUMBER
-QUANTITY
-PART NUMBER
-LOT NUMBER



FOR -0232 & -0233



SEE Detail 1

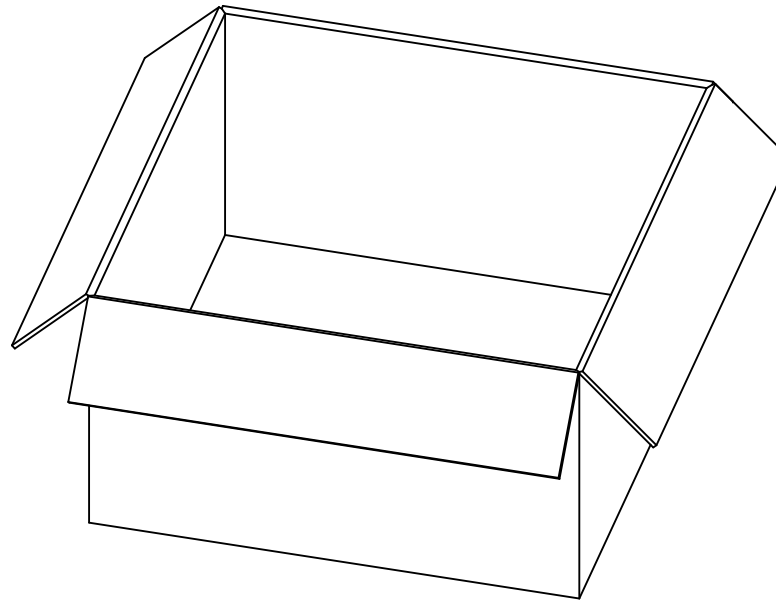
CHG:SEE SHEET 1	2016/07/04	QUALITY SYMBOLS
EC NO: URF-2017-0003	2016/07/04	▽=0
DRW:RYEH		▽=0
CHKD:		▽=0
APPR:YCHENG	2016/07/07	
DESCRIPTION		
REV		
A3		

GENERAL TOLERANCES (UNLESS SPECIFIED)	
mm	INCH
4 PLACES ± .005	± .0004
3 PLACES ± .005	± .0004
2 PLACES ± .005	± .0004
1 PLACE ± .005	± .0004
0 PLACE ± .005	± .0004
ANGULAR ± 2 °	
DRAFT WHERE APPLICABLE MUST REMAIN WITHIN DIMENSIONS	

DIMENSION STYLE	
MM/IN	
DRAWN BY	DATE
RYEH	2012/04/24
CHECKED BY	DATE
KERRIE	2012/04/24
APPROVED BY	DATE
MHUANG	2013/05/09
MATERIAL NO.	
SEE TABLE	
SIZE	
C	

SCALE	DESIGN UNITS	THIRD ANGLE PROJECTION
	METRIC	
TITLE		
SMP PLUG STR LD PCB TH GND SMT SIGNAL SMP-P/PCB		
molex		
MATERIAL NO.	DOCUMENT NO.	SHEET NO.
SEE TABLE	SD-73406-023	3 OF 4
THIS DRAWING CONTAINS INFORMATION THAT IS PROPRIETARY TO MOLEX INCORPORATED AND SHOULD NOT BE USED WITHOUT WRITTEN PERMISSION		

73406-0232: 250 PCS X 73406-0230 PER REEL OR
73406-0233: 250 PCS X 73406-0230 WITH KAPTON PER REEL
P/N: 89707-0234



7 REELS PER CARTON
P/N: 89499-9031

CHG:SEE SHEET 1 EC NO: URF2017-0003 DRAWN:RYEH 2016/07/04 CHKD: APPR:YCHENG 2016/07/07 REV A3	QUALITY SYMBOLS = 0 = 0 = 0 = 0 = 0	GENERAL TOLERANCES (UNLESS SPECIFIED) <table border="1"> <tr> <td></td> <td>mm</td> <td>INCH</td> </tr> <tr> <td>4 PLACES</td> <td>± ---</td> <td>± ---</td> </tr> <tr> <td>3 PLACES</td> <td>± ---</td> <td>± ---</td> </tr> <tr> <td>2 PLACES</td> <td>± ---</td> <td>± ---</td> </tr> <tr> <td>1 PLACE</td> <td>± ---</td> <td>± ---</td> </tr> <tr> <td>0 PLACE</td> <td>± ---</td> <td>± ---</td> </tr> </table>		mm	INCH	4 PLACES	± ---	± ---	3 PLACES	± ---	± ---	2 PLACES	± ---	± ---	1 PLACE	± ---	± ---	0 PLACE	± ---	± ---	DIMENSION STYLE MM/IN DRAWN BY DATE RYEH 2012/04/24 CHECKED BY DATE KERRIE 2012/04/24 APPROVED BY DATE MHUANG 2013/05/09	SCALE 1:2.5 DESIGN UNITS METRIC THIRD ANGLE PROJECTION	TITLE SMP PLUG STR LD PCB TH GND SMT SIGNAL SMP-P/PCB molex	MATERIAL NO. SEE TABLE SIZE 	DOCUMENT NO. SD-73406-023 SHEET NO. 4 OF 4
		mm	INCH																						
	4 PLACES	± ---	± ---																						
	3 PLACES	± ---	± ---																						
2 PLACES	± ---	± ---																							
1 PLACE	± ---	± ---																							
0 PLACE	± ---	± ---																							
ANGULAR ± 2 °		DRAFT WHERE APPLICABLE MUST REMAIN WITHIN DIMENSIONS		THIS DRAWING CONTAINS INFORMATION THAT IS PROPRIETARY TO MOLEX INCORPORATED AND SHOULD NOT BE USED WITHOUT WRITTEN PERMISSION																					