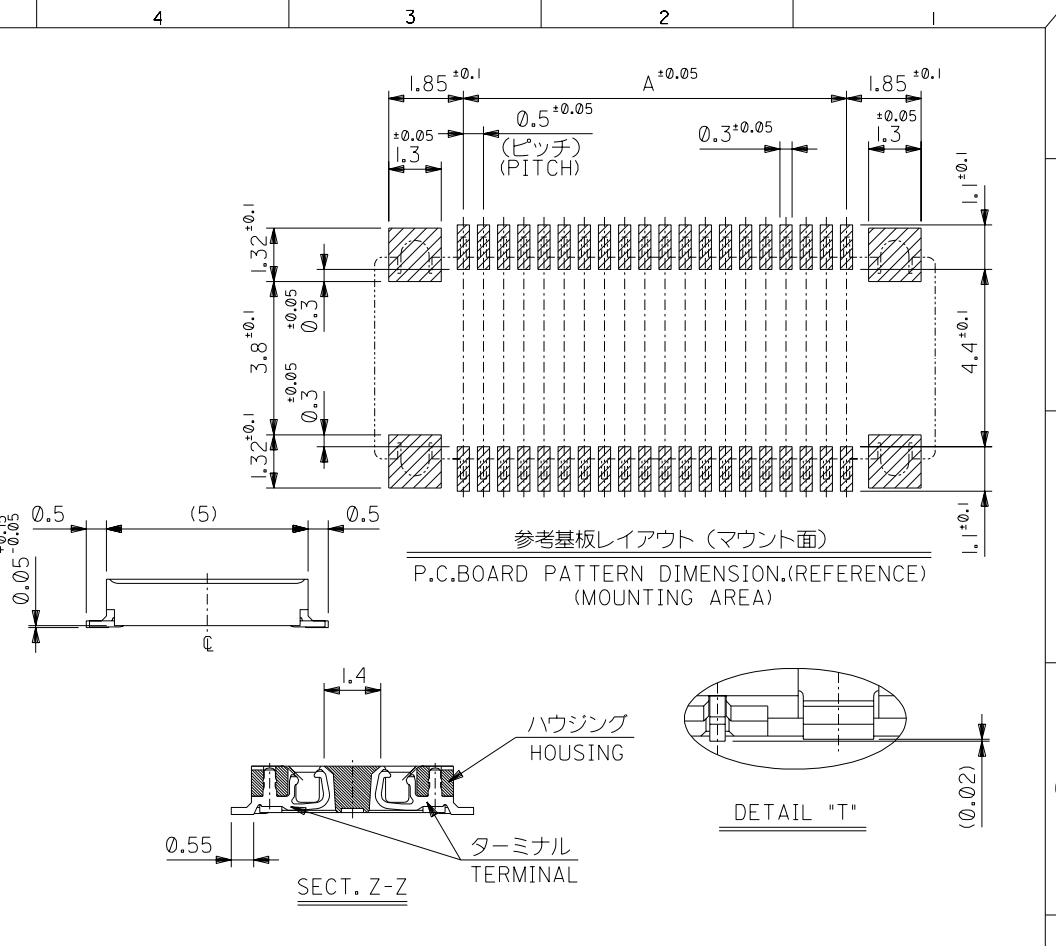
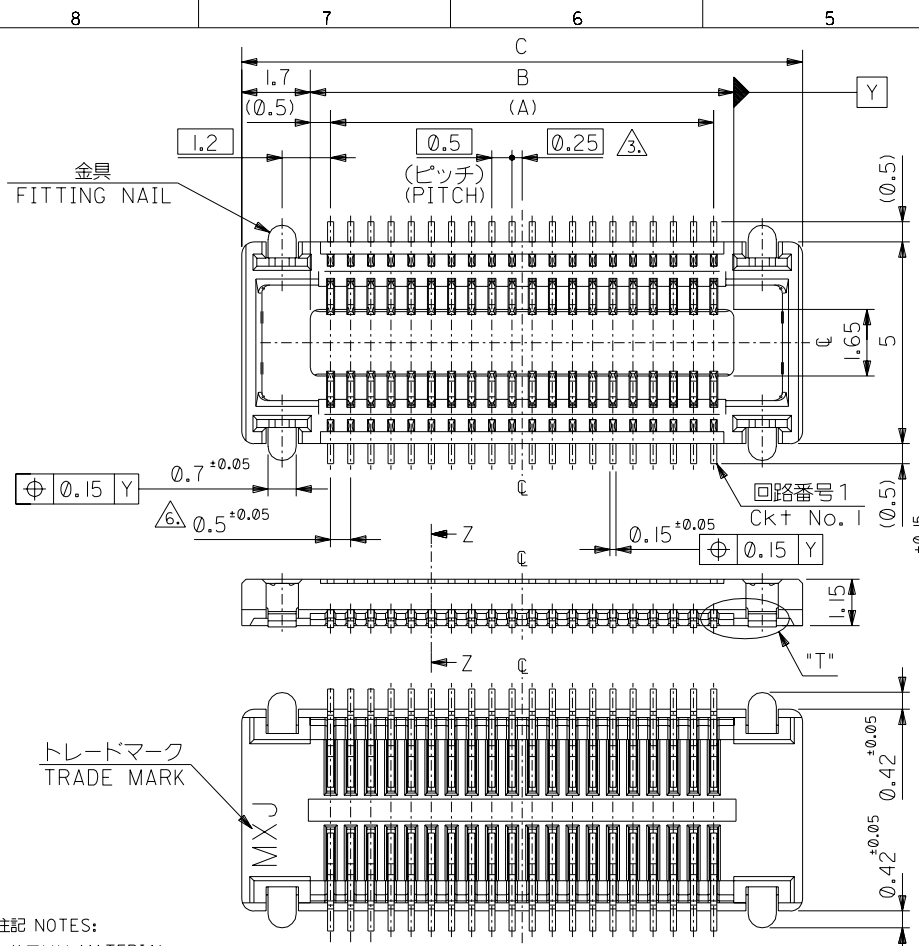


DO NOT SCALE DRAWING



注記 NOTES:

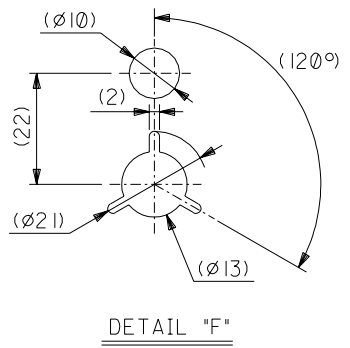
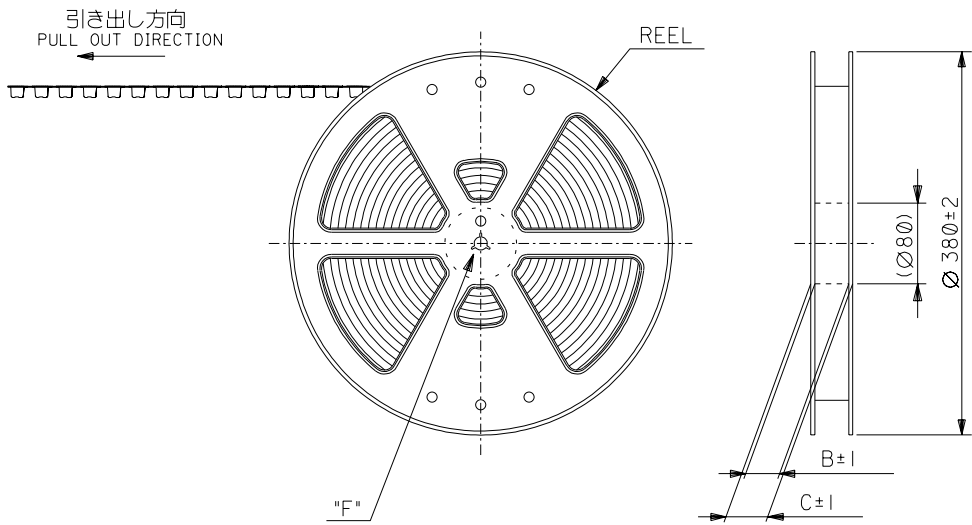
- 使用材料 MATERIAL
 ハウジング: ポリフェニレンサルファイド ガラス充填 UL94V-0 (黒)
 HOUSING: POLYPHENYLENE SULFIDE (GLASS FILLED) UL94V-0 (COLOR:BLACK)
 ターミナル: リン青銅 (t=0.15)
 TERMINAL: PHOSPHOR BRONZE (t=0.15)
 金具: リン青銅 (t=0.2)
 FITTING NAIL: PHOSPHOR BRONZE (t=0.2)
 2. メッキ仕様 PLATING
 ターミナル TERMINAL
 金メッキ 0.25 マイクロメートル以上 (コンタクト部)
 GOLD 0.25 MICROMETER MINIMUM (CONTACT AREA)
 金メッキ 0.4 マイクロメートル以下 (テール部)
 GOLD 0.4 MICROMETER MAXIMUM (TAIL AREA)
- 下地メッキ: ニッケルメッキ 1.5 マイクロメートル以上
 UNDER PLATING: NICKEL 1.5 MICROMETER MINIMUM
 金具 FITTING NAIL
 錫メッキ 1.0 マイクロメートル以上
 TIN 1.0 MICROMETER MINIMUM
 下地メッキ: ニッケルメッキ 1.0 マイクロメートル以上
 NICKEL 1.0 MICROMETER MINIMUM
 (全極数/2) = 偶数の場合に適用。
 APPLY FOR (CIRCUIT/2)=EVEN.
3. 適合相手: 53929 シリーズ
 MATE WITH: 53929 SERIES.

- テール平坦度は、0.08MAX.
 テール及び金具の平坦度は、0.08MAX.
 TAIL COPLANARITY TO BE 0.08MAX.
 TAIL AND FITTING NAIL COPLANARITY TO BE 0.1MAX.
 テール部に適用。
 APPLY TO THE TAIL AREA.
- 本製品は54137-***1の鉛フリー品である。
 THIS PRODUCT IS LEAD FREE OF 54137-***1.

28.9	25.5	24.5	54137-1009	100
26.4	23	22	54137-0909	90
23.9	20.5	19.5	54137-0809	80
21.4	18	17	54137-0709	70
C	B	A	MATERIAL NO.	極数 CIRCUIT

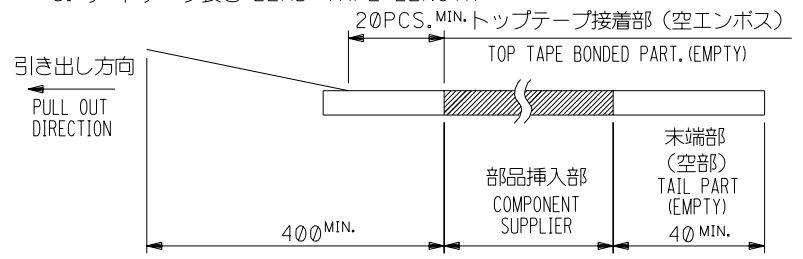
EC NO.	DRWN:	CH'K:	APPR:	EC NO.	DRWN:	CH'K:	APPR:	EC NO.	DRWN:	CH'K:	APPR:	EC NO.	DRWN:	CH'K:	APPR:
RELEASED EC NO. J2004-2630 DRWN: Y.WADA '04/02/24 CH'K: M.SASAO '04/02/24 APPR: M.SASAO '04/02/24															
注記参照 SEE NOTES															
MATERIAL 材料															
FINISH 仕上げ															
WIRE RANGE 適用電線範囲															
INS. RANGE 被覆外径															

GENERAL TOLERANCES: (UNLESS SPECIFIED) 一般公差		SCALE 1/1	MODEL NO. 54137-***9	DIMENSIONS: 2D		SHT 1	REV	
10 UNDER 未満	±0.2	DESIGN UNITS ① mm ② INCH	THIRD ANGLE PROJECTION	<input type="checkbox"/> mm <input type="checkbox"/> INCH	<input type="checkbox"/> mm ONLY			
10 OVER 以上	±0.25	DRAWN BY & DATE Y.WADA '04/02/24	TITLE: 0.5 B-To-B Conn Rec Assy (Hg+=1.5mm) WITH NAIL -LEAD FREE-					
30 OVER 以上	±0.3	CHECKED BY & DATE M.SASAO '04/02/24	MOLEX MOLEX INCORPORATED					
ANGLE 角度	±3°	APPROVED BY & DATE M.SASAO '04/02/24						
		CAD FILENAME SD-54137-001.S01	MATERIAL NO. SEE CHART	DRAWING NO. SD-54137-001		SHEET NO. 1 OF 1		
THIS DRAWING CONTAINS INFORMATION THAT IS PROPRIETARY TO MOLEX INCORPORATED AND SHOULD NOT BE USED WITHOUT WRITTEN PERMISSION.								
							SIZE B	

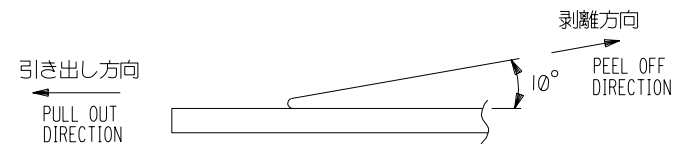


注記 NOTES.

- 製品詳細寸法については図面 SD-54137-001 を参照下さい。
RE DETAILED DIMENSION, SEE SD-54137-001
- 梱包数量：3000個/リール
NUMBER OF CONNECTORS : 3000PCS/REEL
- リードテープ長さ LEAD TAPE LENGTH



- トップテープの剥離強度：0.1N~1.3N {10gf~130gf}
(剥離方向は下図参照)
尚、本規格値は出荷時に適用。(但し、輸送時に剥離が発生しないこと。)
PEELING OFF FORCE OF TOP TAPE : 0.1N~1.3N {10gf~130gf}
(PEELING DIRECTION AS SHOWN IN FOLLOWING FIG.)
THIS REQUIREMENT SHOULD BE APPLIED AT SHIPMENT.
PEEL OFF SHOULD NOT BE ALLOWED ,DURING TRANSPORTATION.

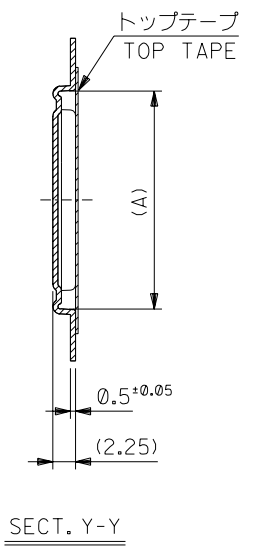


- 材料 (MATERIAL)
キャリアテープ (CARRIER TAPE) : ポリプロピレン (POLYPROPYLENE)
トップテープ (TOP TAPE) : PET , PE , PEF
リール (REEL) : ポリスチレン (PS) <リサイクル材を含む>
POLYSTYRENE(PS) <RECYCLE MATERIAL CONTAINED>
- 本製品は54137-***8の鉛フリー品である。
THIS PRODUCT IS LEAD FREE OF 54137-***8.

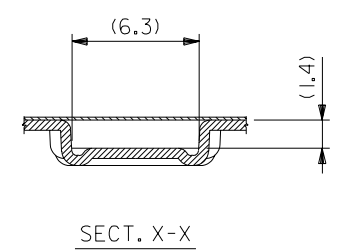
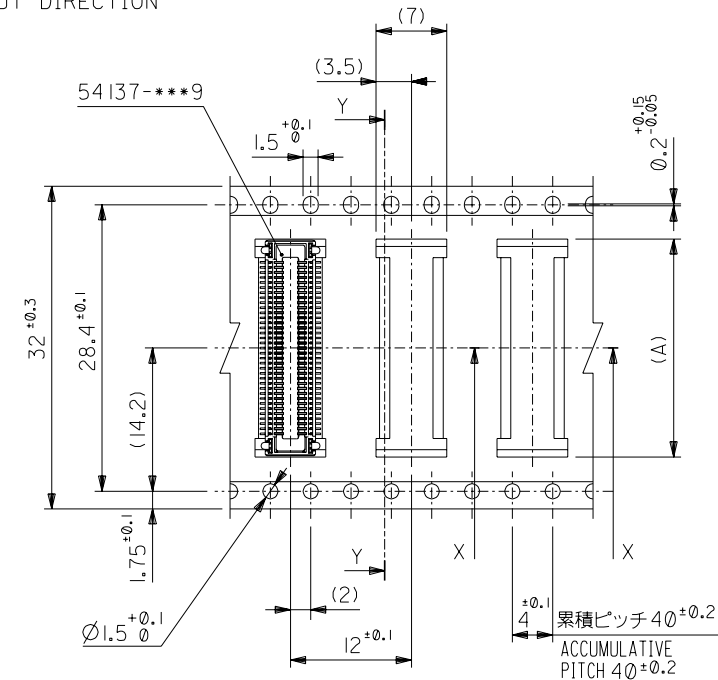
DO NOT SCALE DRAWING

EC NO. DRWN: CHK: APPR:		EC NO. DRWN: CHK: APPR:		EC NO. DRWN: CHK: APPR:		EC NO. DRWN: CHK: APPR:		RELEASD EC NO. J2004-2630 DRWN: Y.WADA '04/02/24 CHK: M.SASAO '04/02/24 APPR: M.SASAO '04/02/24	MATERIAL 材料 注記参照 SEE NOTES	GENERAL TOLERANCES: (UNLESS SPECIFIED) 一般公差	SCALE —#	MODEL NO. 54137-***8	DIMENSIONS: THIRD ANGLE PROJECTION		SHT	REV	
								DESCRIPTION	FINISH 仕上げ	10 UNDER 未満	±0.2	DESIGN UNITS <input checked="" type="checkbox"/> mm <input type="checkbox"/> INCH		TITLE: 0.5 B+B Conn Rec Assy With NailHgt=1.5 Embstp Pkg -LEAD FREE-			
								WIRE RANGE 適用電線範囲	—#	10 OVER 以上	±0.25	DRAWN BY & DATE Y.WADA '04/02/24		MATERIAL NO.			
								INS. RANGE 被覆外径	—#	30 UNDER 未満	±0.3	CHECKED BY & DATE M.SASAO '04/02/24		DRAWING NO.			
										30 OVER 以上	±0.3	APPROVED BY & DATE M.SASAO '04/02/24		SHEET NO.			
										ANGLE 角度	±3°	CAD FILENAME SD-54137-002.S01		SD-54137-002		1 OF 3	
THIS DRAWING CONTAINS INFORMATION THAT IS PROPRIETARY TO MOLEX INCORPORATED AND SHOULD NOT BE USED WITHOUT WRITTEN PERMISSION.															SIZE B		

DWG. NO. SD-54137-002



引き出し方向
PULL OUT DIRECTION



32mm幅キャリアテープ
32mm WIDTH CARRIER TAPE

DO NOT SCALE DRAWING

EC NO. DRWN: CHK: APPR:	EC NO. DRWN: CHK: APPR:	EC NO. DRWN: CHK: APPR:	EC NO. DRWN: CHK: APPR:	EC NO. DRWN: CHK: APPR:
EC NO. J2004-2630 DRWN: Y.WADA '04/02/24 CHK: M.SASAO '04/02/24 APPR: M.SASAO '04/02/24	EC NO. J2004-2630 DRWN: Y.WADA '04/02/24 CHK: M.SASAO '04/02/24 APPR: M.SASAO '04/02/24	EC NO. J2004-2630 DRWN: Y.WADA '04/02/24 CHK: M.SASAO '04/02/24 APPR: M.SASAO '04/02/24	EC NO. J2004-2630 DRWN: Y.WADA '04/02/24 CHK: M.SASAO '04/02/24 APPR: M.SASAO '04/02/24	EC NO. J2004-2630 DRWN: Y.WADA '04/02/24 CHK: M.SASAO '04/02/24 APPR: M.SASAO '04/02/24

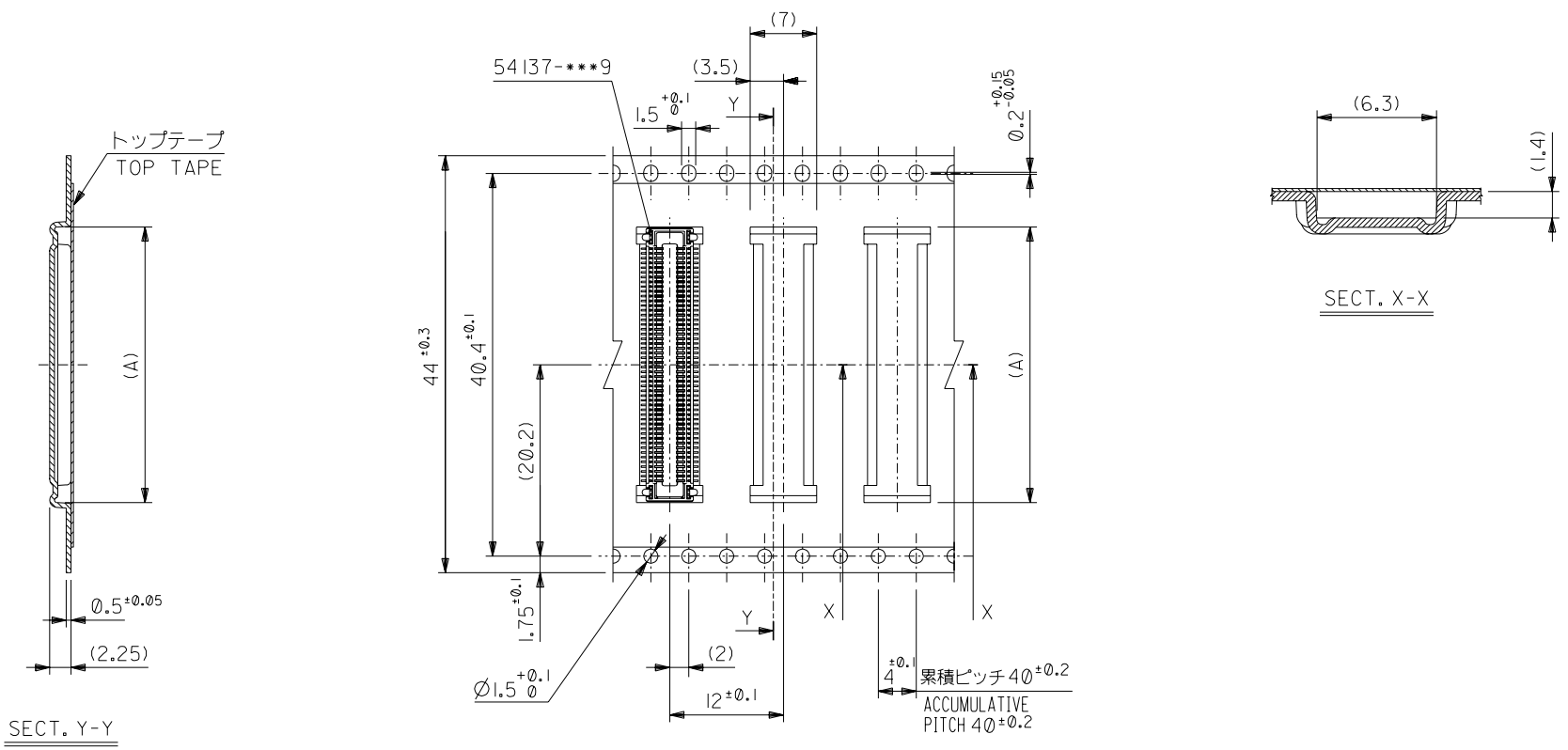
RELEASD	MATERIAL 材料	GENERAL TOLERANCES: (UNLESS SPECIFIED) 一般公差
0	注記参照 SEE SHEET 1 OF 3	10 UNDER 未満 ±0.2
0	FINISH 仕上げ	10 OVER 以上 30 UNDER 未満 ±0.25
0	WIRE RANGE 適用電線範囲	30 OVER 以上 ±0.3
0	INS. RANGE 被覆外径	ANGLE 角度 ±3°

SCALE	DESIGN UNITS	MODEL NO.
1:1	<input checked="" type="checkbox"/> mm <input type="checkbox"/> INCH	54137-***78
DRAWN BY & DATE	THIRD ANGLE PROJECTION	DIMENSIONS:
Y.WADA '04/02/24	<input type="checkbox"/> mm <input type="checkbox"/> INCH <input checked="" type="checkbox"/> mm ONLY	SHT
CHECKED BY & DATE		REV
M.SASAO '04/02/24		
APPROVED BY & DATE		
M.SASAO '04/02/24		
CAD FILENAME	MATERIAL NO.	DRAWING NO.
SD-54137-002.S02	SEE CHART	SD-54137-002
		SHEET NO.
		2 OF 3

32	37.4	33.4	21.6	54137-0778	70
キャリアテープ幅 CARRIER TAPE WIDTH	C	B	(A)	MATERIAL NO.	極数 Ck+
TITLE: 0.5 B+B Conn Rec Assy With NailHgt=1.5 Embstp Pkg -LEAD FREE-			MATERIAL NO. DRAWING NO. SHEET NO.		
MOLEX INCORPORATED			SD-54137-002 2 OF 3		
THIS DRAWING CONTAINS INFORMATION THAT IS PROPRIETARY TO MOLEX INCORPORATED AND SHOULD NOT BE USED WITHOUT WRITTEN PERMISSION.					SIZE B

DWG. NO.
SD-54137-002

引き出し方向
PULL OUT DIRECTION



44mm幅キャリアテープ
44mm WIDTH CARRIER TAPE

44	49.4	45.4	29.1	54137-1078	100
			26.6	54137-0978	90
			24.1	54137-0878	80
キャリアテープ幅 CARRIER TAPE WIDTH	C	B	(A)	MATERIAL NO.	極数 CK+

DO NOT SCALE DRAWING

EC NO. DRWN: CHK: APPR:	EC NO. DRWN: CHK: APPR:	EC NO. DRWN: CHK: APPR:	EC NO. DRWN: CHK: APPR:	EC NO. DRWN: CHK: APPR:	EC NO. J2004-2630 DRWN: Y.WADA '04/02/24 CHK: M.SASAO '04/02/24 APPR: M.SASAO '04/02/24 RELEASED	MATERIAL 材料 注記参照 SEE SHEET 1 OF 3	GENERAL TOLERANCES: (UNLESS SPECIFIED) 一般公差 10 UNDER 未満 ±0.2 10 OVER 30 UNDER 未満 ±0.25 30 OVER 以上 ±0.3 WIRE RANGE 適用電線範囲 INS. RANGE 被覆外径	SCALE # DRAWN BY & DATE Y.WADA '04/02/24 CHECKED BY & DATE M.SASAO '04/02/24 APPROVED BY & DATE M.SASAO '04/02/24 CAD FILENAME SD-54137-002.S03	MODEL NO. 54137-***78 DESIGN UNITS <input checked="" type="checkbox"/> mm <input type="checkbox"/> INCH DIMENSIONS: <input type="checkbox"/> mm <input type="checkbox"/> INCH <input type="checkbox"/> mm <input checked="" type="checkbox"/> mm ONLY SHT REV	TITLE: 0.5 B+B Conn Rec Assy With NailHgt=1.5 Embstp Pkg -LEAD FREE- MOLEX MOLEX INCORPORATED MATERIAL NO. SEE CHART DRAWING NO. SD-54137-002 SHEET NO. 3 OF 3	THIS DRAWING CONTAINS INFORMATION THAT IS PROPRIETARY TO MOLEX INCORPORATED AND SHOULD NOT BE USED WITHOUT WRITTEN PERMISSION. SIZE B
----------------------------------	----------------------------------	----------------------------------	----------------------------------	----------------------------------	--	---	---	--	--	--	---