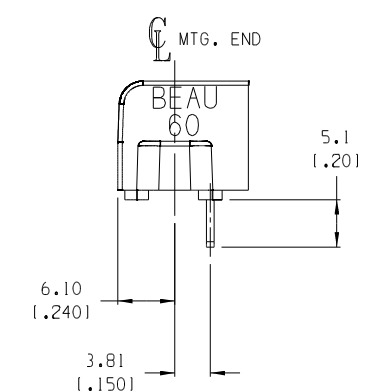
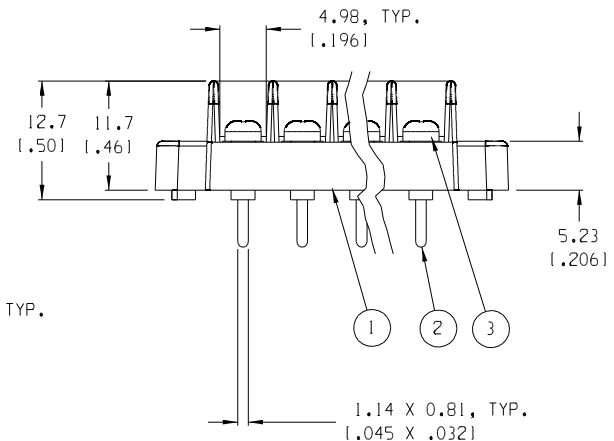
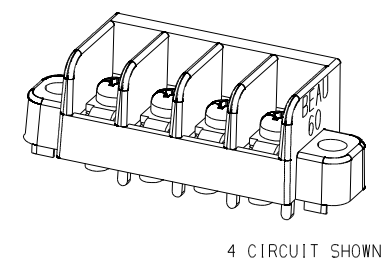
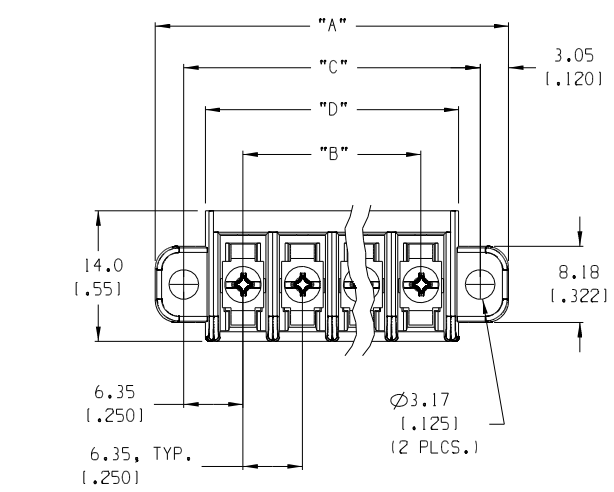
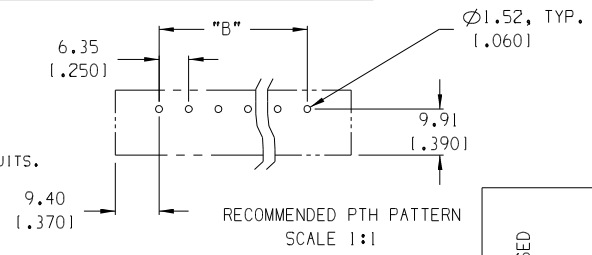


|   | 10                 | 9            |                | 8              |              | 7                     |  |  | 5 | 4 | 3 | 2 |  |
|---|--------------------|--------------|----------------|----------------|--------------|-----------------------|--|--|---|---|---|---|--|
|   | QTY. OF CIRC. "XX" | DIM. "A"     | DIM. "B"       | DIM. "C"       | DIM. "D"     | MATERIAL # (STANDARD) |  |  |   |   |   |   |  |
| F | 02                 | 25.1 (1.99)  | 6.35 (1.250)   | 19.05 (1.750)  | 14.4 (1.57)  | 38600-6402            |  |  |   |   |   |   |  |
| F | 03                 | 31.5 (1.24)  | 12.70 (1.500)  | 25.40 (1.000)  | 20.8 (1.82)  | 38600-6403            |  |  |   |   |   |   |  |
| F | 04                 | 37.8 (1.49)  | 19.05 (1.750)  | 31.75 (1.250)  | 27.1 (1.07)  | 38600-6404            |  |  |   |   |   |   |  |
| F | 05                 | 44.2 (1.74)  | 25.40 (1.000)  | 38.10 (1.500)  | 33.5 (1.32)  | 38600-6405            |  |  |   |   |   |   |  |
| F | 06                 | 50.5 (1.99)  | 31.75 (1.250)  | 44.45 (1.750)  | 39.8 (1.57)  | 38600-6406            |  |  |   |   |   |   |  |
| F | 07                 | 56.9 (2.24)  | 38.10 (1.500)  | 50.80 (2.000)  | 46.2 (1.82)  | 38600-6407            |  |  |   |   |   |   |  |
| F | 08                 | 63.2 (2.49)  | 44.45 (1.750)  | 57.15 (2.250)  | 52.5 (2.07)  | 38600-6408            |  |  |   |   |   |   |  |
| E | 09                 | 69.6 (2.74)  | 50.80 (2.000)  | 63.50 (2.500)  | 58.9 (2.32)  | 38600-6409            |  |  |   |   |   |   |  |
| E | 10                 | 75.9 (2.99)  | 57.15 (2.250)  | 69.85 (2.750)  | 65.2 (2.57)  | 38600-6410            |  |  |   |   |   |   |  |
| E | 11                 | 82.3 (3.24)  | 63.50 (2.500)  | 76.20 (3.000)  | 71.6 (2.82)  | 38600-6411            |  |  |   |   |   |   |  |
| E | 12                 | 88.6 (3.49)  | 69.85 (2.750)  | 82.55 (3.250)  | 77.9 (3.07)  | 38600-6412            |  |  |   |   |   |   |  |
| E | 13                 | 95.0 (3.74)  | 76.20 (3.000)  | 88.90 (3.500)  | 84.3 (3.32)  | 38600-6413            |  |  |   |   |   |   |  |
| E | 14                 | 101.3 (3.99) | 82.55 (3.250)  | 95.25 (3.750)  | 90.6 (3.57)  | 38600-6414            |  |  |   |   |   |   |  |
| E | 15                 | 107.7 (4.24) | 88.90 (3.500)  | 101.60 (4.000) | 97.0 (3.82)  | 38600-6415            |  |  |   |   |   |   |  |
| E | 16                 | 114.0 (4.49) | 95.25 (3.750)  | 107.95 (4.250) | 103.3 (4.07) | 38600-6416            |  |  |   |   |   |   |  |
| D | 17                 | 120.4 (4.74) | 101.60 (4.000) | 114.30 (4.500) | 109.7 (4.32) | 38600-6417            |  |  |   |   |   |   |  |
| D | 18                 | 126.7 (4.99) | 107.95 (4.250) | 120.65 (4.750) | 116.0 (4.57) | 38600-6418            |  |  |   |   |   |   |  |
| D | 19                 | 133.1 (5.24) | 114.30 (4.500) | 127.00 (5.000) | 122.4 (4.82) | 38600-6419            |  |  |   |   |   |   |  |
| D | 20                 | 139.4 (5.49) | 120.65 (4.750) | 133.35 (5.250) | 128.7 (5.07) | 38600-6420            |  |  |   |   |   |   |  |
| D | 21                 | 145.8 (5.74) | 127.00 (5.000) | 139.70 (5.500) | 135.1 (5.32) | 38600-6421            |  |  |   |   |   |   |  |
| D | 22                 | 152.1 (5.99) | 133.35 (5.250) | 146.05 (5.750) | 141.4 (5.57) | 38600-6422            |  |  |   |   |   |   |  |
| D | 23                 | 158.5 (6.24) | 139.70 (5.500) | 152.40 (6.000) | 147.8 (5.82) | 38600-6423            |  |  |   |   |   |   |  |
| D | 24                 | 164.8 (6.49) | 146.05 (5.750) | 158.75 (6.250) | 154.1 (6.07) | 38600-6424            |  |  |   |   |   |   |  |
| D | 25                 | 171.2 (6.74) | 152.40 (6.000) | 165.10 (6.500) | 160.5 (6.32) | 38600-6425            |  |  |   |   |   |   |  |
| D | 26                 | 177.5 (6.99) | 158.75 (6.250) | 171.45 (6.750) | 166.8 (6.57) | 38600-6426            |  |  |   |   |   |   |  |
| D | 27                 | 183.9 (7.24) | 165.10 (6.500) | 177.80 (7.000) | 173.2 (6.82) | 38600-6427            |  |  |   |   |   |   |  |
| D | 28                 | 190.2 (7.49) | 171.45 (6.750) | 184.15 (7.250) | 179.5 (7.07) | 38600-6428            |  |  |   |   |   |   |  |
| C | 29                 | 196.6 (7.74) | 177.80 (7.000) | 190.50 (7.500) | 185.9 (7.32) | 38600-6429            |  |  |   |   |   |   |  |
| C | 30                 | 202.9 (7.99) | 184.15 (7.250) | 196.85 (7.750) | 192.2 (7.57) | 38600-6430            |  |  |   |   |   |   |  |
| C | 31                 | 209.3 (8.24) | 190.50 (7.500) | 203.20 (8.000) | 198.6 (7.82) | 38600-6431            |  |  |   |   |   |   |  |
| C | 32                 | 215.6 (8.49) | 196.85 (7.750) | 209.55 (8.250) | 204.9 (8.07) | 38600-6432            |  |  |   |   |   |   |  |



- NOTES:
1. MATERIAL: SEE TABLE
  2. FINISHES: SEE TABLE
  3. PRODUCT SPECIFICATION: NOT REQUIRED
  4. PACKAGING: NOT REQUIRED
  5. MATES WITH: NONE
  6. "XX" REFERS TO THE QUANTITY OF CIRCUITS.



| 3    | XX   | SCREW, #3-48, FILLISTER HEAD, PHIL-SLOT | BRASS    | NICKEL PLATE  |
|------|------|---|----------|---------------|
| 2    | XX   | TERMINAL, PC                            | BRASS    | TIN PLATE     |
| 1    | I    | INSULATOR, SR, CLOSED SIDE              | BLACK    | THERMOPLASTIC |
| ITEM | QTY. | DESCRIPTION                             | MATERIAL | FINISH        |

|   |                    |  |   |   |  |
|---|--------------------|--|---|---|--|
| EC NO. RELEASED<br>CLY<br>DRW: CH'K:<br>APPR: | DESCRIPTION<br>REV | QUALITY SYMBOLS<br>MAJOR<br>CRITICAL<br>SPC          | GENERAL TOLERANCES:<br>(UNLESS SPECIFIED)<br>mm      INCH<br>4 PLACES ±.0015<br>3 PLACES ±.038 ±.005<br>2 PLACES ±.13 ±.01<br>1 PLACE ±.3<br>ANGULAR: ±2° | SCALE 2:1<br>DESIGN UNITS<br><input type="checkbox"/> mm <input checked="" type="checkbox"/> INCH<br>DRAWN BY & DATE<br>C. YORK 11-22-04<br>CHECKED BY & DATE<br>APPROVED BY & DATE | THIRD ANGLE PROJECTION<br>TITLE:<br>6.35mm (.250") SR BTS ASSY,<br>CLOSED SIDE<br>MOLEX INCORPORATED                           |
|   |                    | CAD FILENAME<br>605XX                                | MATERIAL NO.<br>SEE CHART   | DRAWING NO.<br>SD-38600-002   | SHEET NO.<br>1 OF 1  |
|   |                    | DRAFT WHERE APPLICABLE MUST REMAIN WITHIN DIMENSIONS |   |   | THIS DRAWING CONTAINS INFORMATION THAT IS PROPRIETARY TO MOLEX INCORPORATED AND SHOULD NOT BE USED WITHOUT WRITTEN PERMISSION. |
|   |                    |  |   |   | SIZE B   |