

THIS DRAWING CONTAINS INFORMATION THAT IS PROPRIETARY TO MOLEX ELECTRONIC TECHNOLOGIES, LLC AND SHOULD NOT BE USED WITHOUT WRITTEN PERMISSION

DIMENSION UNITS		SCALE		CURRENT REV DESC: MIGRATED TO ECTR			
MM		1:1		<p>molex</p> <p>HOUSING, PLUG 2.13 DIA. SERIES</p> <p>PRODUCT CUSTOMER DRAWING</p>			
GENERAL TOLERANCES (UNLESS SPECIFIED)							
	MM	INCH					
4 PLACES	±		±				
3 PLACES	±		± 0.1				
2 PLACES	± 0.25		± 0.14	EC NO: 178202	DRWN: RLALSANGI	2018/02/26	
1 PLACE	± 0.36		±	CHK'D: NCSR	2018/07/12		
0 PLACES	±		±	APPR: NCSR	2018/07/12		
ANGULAR TOL	±	°		INITIAL REVISION:			
DRAFT WHERE APPLICABLE MUST REMAIN WITHIN DIMENSIONS				THIRD ANGLE PROJECTION	DRAWING	SERIES	DOCUMENT NUMBER
					A2-SIZE	42021	420210000
							DOC TYPE
							PSD
							DOC PART
							000
							REVISION
							A
							MATERIAL NUMBER
							SEE TABLE OF SHEET 2
							CUSTOMER
							GENERAL MARKET
							SHEET NUMBER
							1 OF 2

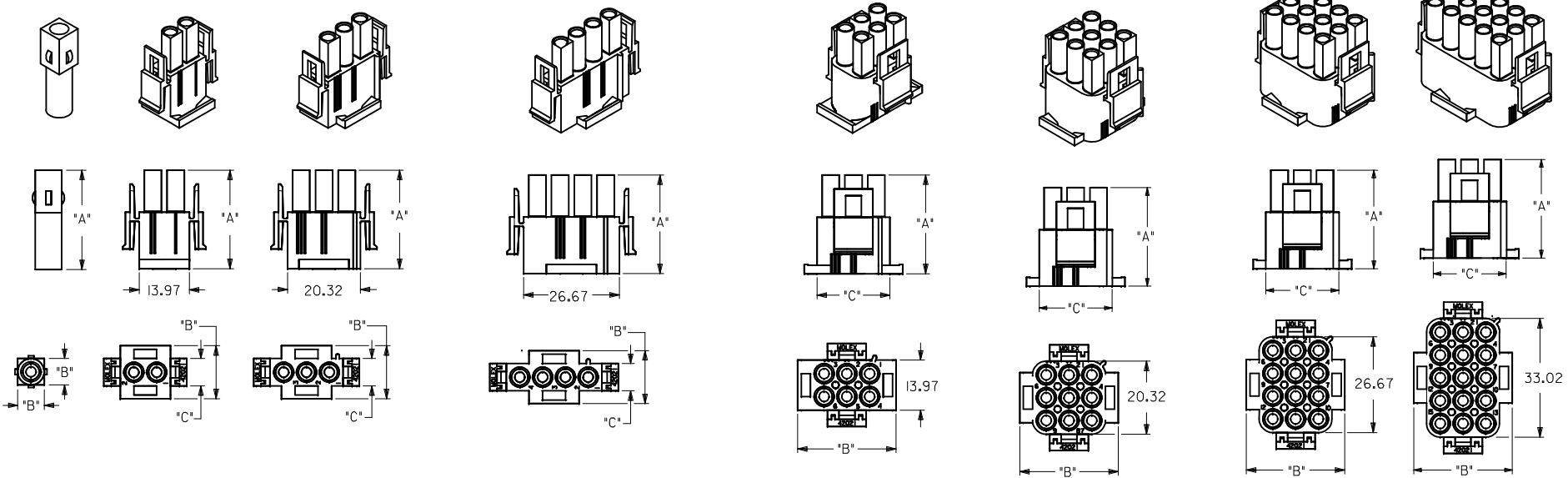
PART NO.	CIRCUIT SIZE	MATERIAL (SEE NOTE 1)	DIM "A"	DIM "B"	DIM "C"
050-84-1010	1	A	27.69	7.37	--
050-84-1015	1	C			
050-84-1020	2	A	27.61	14.73	7.62
050-84-1025	2	C			
050-84-1030	3	A	27.61	14.73	7.62
050-84-1035	3	C			
050-84-1040	4	A	27.61	14.73	7.62
050-84-1045	4	C			
050-84-1060	6	A	27.61	27.43	20.32
050-84-1065	6	C			
050-84-1090	9	A	27.61	27.43	20.32
050-84-1095	9	C			
050-84-1120	12	A	27.61	27.43	20.32
050-84-1125	12	C			
050-84-1150	15	A	27.61	27.43	20.32
050-84-1155	15	C			
366480001	1	D	27.43	7.37	--
366480002	2	D		14.73	7.62
366480003	3	D			
366480004	4	D			
366480005	6	D	27.43	27.43	20.32
366480006	9	D			
366480007	12	D			
366480008	15	D			

NOTES:

- 1) MATERIAL CODES:
 "A"= NYLON TYPE 6/6, 94V-2
 COLOR: NATURAL (WHITE/TRANSLUCENT)
 "C"= NYLON TYPE 6/6, 94V-0
 COLOR: NATURAL (WHITE)
 "D"= NYLON 94V-2
 COLOR: BLACK (ZYTEL 101F)
- 2) UNLESS OTHERWISE INDICATED, DIMENSIONS ARE FOR REFERENCE ONLY.
- 3) PLUG HOUSINGS MATE WITH:
 -CAP HOUSINGS, 2.13 DIA. SERIES: (42022-****)
 -HEADER ASSEMBLY HOUSINGS, 2.13 DIA. SERIES: (A-42002-****)
- 4) HOUSINGS DESIGNED TO BE USED WITH TERMINALS:
 -PINS, 2.13 DIA. SERIES: (42023-****)
 -SOCKETS, 2.13 DIA. SERIES: (42024-****)
- 5) CONTACTS ARE ON 6.35 GRID CENTERLINE SPACING.
- 6) PRODUCT SPECIFICATION PS-42022-0001 APPLIES.
- 7) FOR GLOW WIRE COMPATIBLE PART NUMBERS REFER DOCUMENT NO SD-36643-009.

THIS DRAWING CONTAINS INFORMATION THAT IS PROPRIETARY TO MOLEX ELECTRONIC TECHNOLOGIES, LLC AND SHOULD NOT BE USED WITHOUT WRITTEN PERMISSION									
DIMENSION UNITS		SCALE		CURRENT REV DESC: MIGRATED TO ECTR				molex	
MM		1:1							
GENERAL TOLERANCES (UNLESS SPECIFIED)				EC NO: 178202		HOUSING, PLUG 2.13 DIA. SERIES		PRODUCT CUSTOMER DRAWING	
		MM	INCH	DRWN: RLALSANGI 2018/02/26					
4 PLACES		±	±	CHK'D: NCSR 2018/07/12		DOCUMENT NUMBER		DOC TYPE	
3 PLACES		±	± 0.1	APPR: NCSR 2018/07/12					
2 PLACES		± 0.25	± 0.14	INITIAL REVISION:		420210000		PSD 000 A	
1 PLACE		± 0.36	±	DRWN: RK 1987/11/16					
0 PLACES		±	±	APPR: GWF 1987/11/16		MATERIAL NUMBER		CUSTOMER	
ANGULAR TOL		±	°						
DRAFT WHERE APPLICABLE MUST REMAIN WITHIN DIMENSIONS				THIRD ANGLE PROJECTION		DRAWING		SHEET NUMBER	
						A2-SIZE		2 OF 2	
SERIES		MATERIAL NUMBER		CUSTOMER		SHEET NUMBER			
42021		SEE TABLE OF SHEET 2		GENERAL MARKET		2 OF 2			

13 12 11 10 9 8 7 6 5 4 3 2 1



VIEWS UPDATED EC NO: 12018-0003 DRWN:GES CHKD:SNAGARAVENK42017/08/03 APPR:KPRASAD_2017/09/07	QUALITY SYMBOLS ∇=0 ∇=0 ∇=0	GENERAL TOLERANCES (UNLESS SPECIFIED)		DIMENSION STYLE MM ONLY	SCALE 1:1	DESIGN UNITS METRIC	THIRD ANGLE PROJECTION	
		4 PLACES ± --- ± ---	mm INCH	DRAWN BY RK	DATE 87/11/16	TITLE HOUSING, PLUG 2.13 DIA. SERIES		
		3 PLACES ± --- ± .010		CHECKED BY GWF	DATE 87/11/16			
		2 PLACES ± 0.25 ± 0.14		APPROVED BY GWF	DATE 87/11/16			
1 PLACE ± 0.36 ± ---		ANGULAR ± ---°		MATERIAL NO. SEE SHEET 2	DOCUMENT NO. SD-42021-**	SHEET NO. 1 OF 2		
0 PLACE ± ±		DRAFT WHERE APPLICABLE MUST REMAIN WITHIN DIMENSIONS		THIS DRAWING CONTAINS INFORMATION THAT IS PROPRIETARY TO MOLEX INCORPORATED AND SHOULD NOT BE USED WITHOUT WRITTEN PERMISSION				

12 11 10 9 8 7 6 5 4 3 2 1

PART NO.	CIRCUIT SIZE	MATERIAL (SEE NOTE 1)	DIM "A"	DIM "B"	DIM "C"
050-84-1010	1	A	27.69	7.37	----
050-84-1015	1	C			
050-84-1020	2	A	27.61	14.73	7.62
050-84-1025	2	C			
050-84-1030	3	A	27.61	14.73	7.62
050-84-1035	3	C			
050-84-1040	4	A	27.61	14.73	7.62
050-84-1045	4	C			
050-84-1060	6	A	27.61	27.43	20.32
050-84-1065	6	C			
050-84-1090	9	A	27.61	27.43	20.32
050-84-1095	9	C			
050-84-1120	12	A	27.61	27.43	20.32
050-84-1125	12	C			
050-84-1150	15	A	27.61	27.43	20.32
050-84-1155	15	C			
366480001	1	D	27.43	7.37	----
366480002	2	D		14.73	7.62
366480003	3	D	27.43		
366480004	4	D			
366480005	6	D			
366480006	9	D			
366480007	12	D			
366480008	15	D			

NOTES:

- 1) MATERIAL CODES:
 A= NYLON TYPE 6/6, 94V-2
 COLOR: NATURAL (WHITE/TRANSLUCENT)
 C= NYLON TYPE 6/6, 94V-0
 COLOR: NATURAL (WHITE)
 D= NYLON, 94V-2
 COLOR: BLACK (ZYTEL 101F)
- 2) UNLESS OTHERWISE INDICATED, DIMENSIONS ARE FOR REFERENCE ONLY.
- 3) PLUG HOUSINGS MATE WITH :
 - CAP HOUSINGS, 2.13 DIA. SERIES: (42022-**)

- HEADER ASSEMBLY HOUSINGS,
 2.13 DIA. SERIES: (A-42002-****)
- 4) HOUSINGS DESIGNED TO BE USED WITH TERMINALS :
 - PINS, 2.13 DIA. SERIES: (42023-****)
 - SOCKETS, 2.13 DIA. SERIES: (42024-****)
- 5) CONTACTS ARE ON 6.35 GRID CENTERLINE SPACING.
- 6) PRODUCT SPECIFICATION PS-42022-0001 APPLIES.
- 7) FOR GLOW EIRE COMPATIBLE PART NUMBERS REFER DOCUMENT NO SD-36643-009.

SEE SHEET 1 EC NO: 12018-0003 DRWN:GES 2017/08/03 CHKD:SNAGARVENK42017/08/03 APPR:KPRASAD 2017/09/07	DESCRIPTION REV	QUALITY SYMBOLS	GENERAL TOLERANCES (UNLESS SPECIFIED)		DIMENSION STYLE MM ONLY	SCALE 1:1	DESIGN UNITS METRIC	THIRD ANGLE PROJECTION
		▽=0	mm	INCH	DRAWN BY RK	DATE 87/11/16	TITLE HOUSING, PLUG 2.13 DIA. SERIES	
		▽=0	4 PLACES ± ---	± ---	CHECKED BY GWF	DATE 87/11/16		
		▽=0	3 PLACES ± ---	± .010	APPROVED BY GWF	DATE 87/11/16		
		2 PLACES ± 0.25	± 0.14	MATERIAL NO.	DOCUMENT NO.			
		1 PLACE ± 0.36	±	SIZE A 2		THIS DRAWING CONTAINS INFORMATION THAT IS PROPRIETARY TO MOLEX INCORPORATED AND SHOULD NOT BE USED WITHOUT WRITTEN PERMISSION		
		0 PLACE ±	±	SEE TABLE		SD-42021-**		
		ANGULAR ± ---°		SHEET NO. 2 OF 2				
		DRAFT WHERE APPLICABLE MUST REMAIN WITHIN DIMENSIONS						