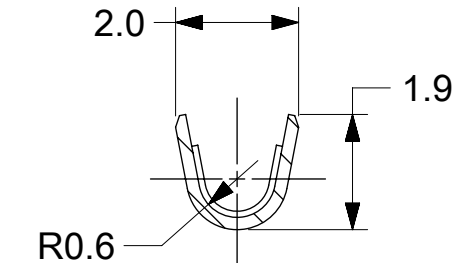
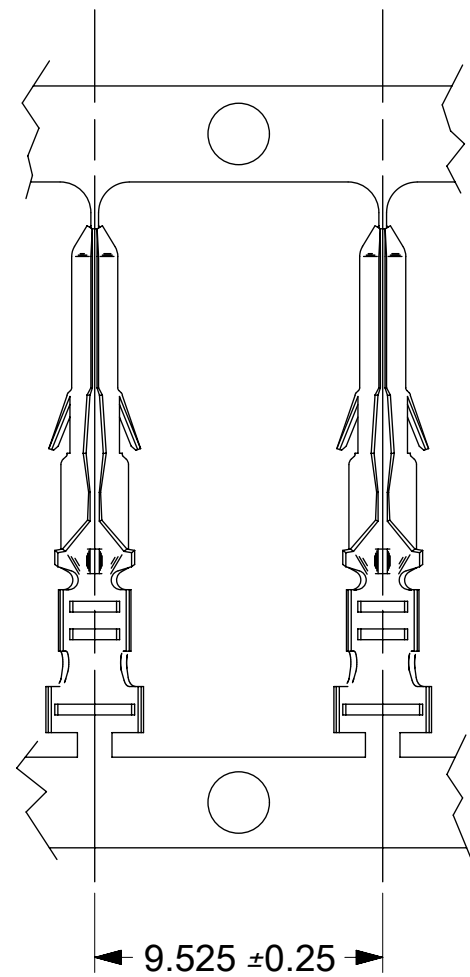


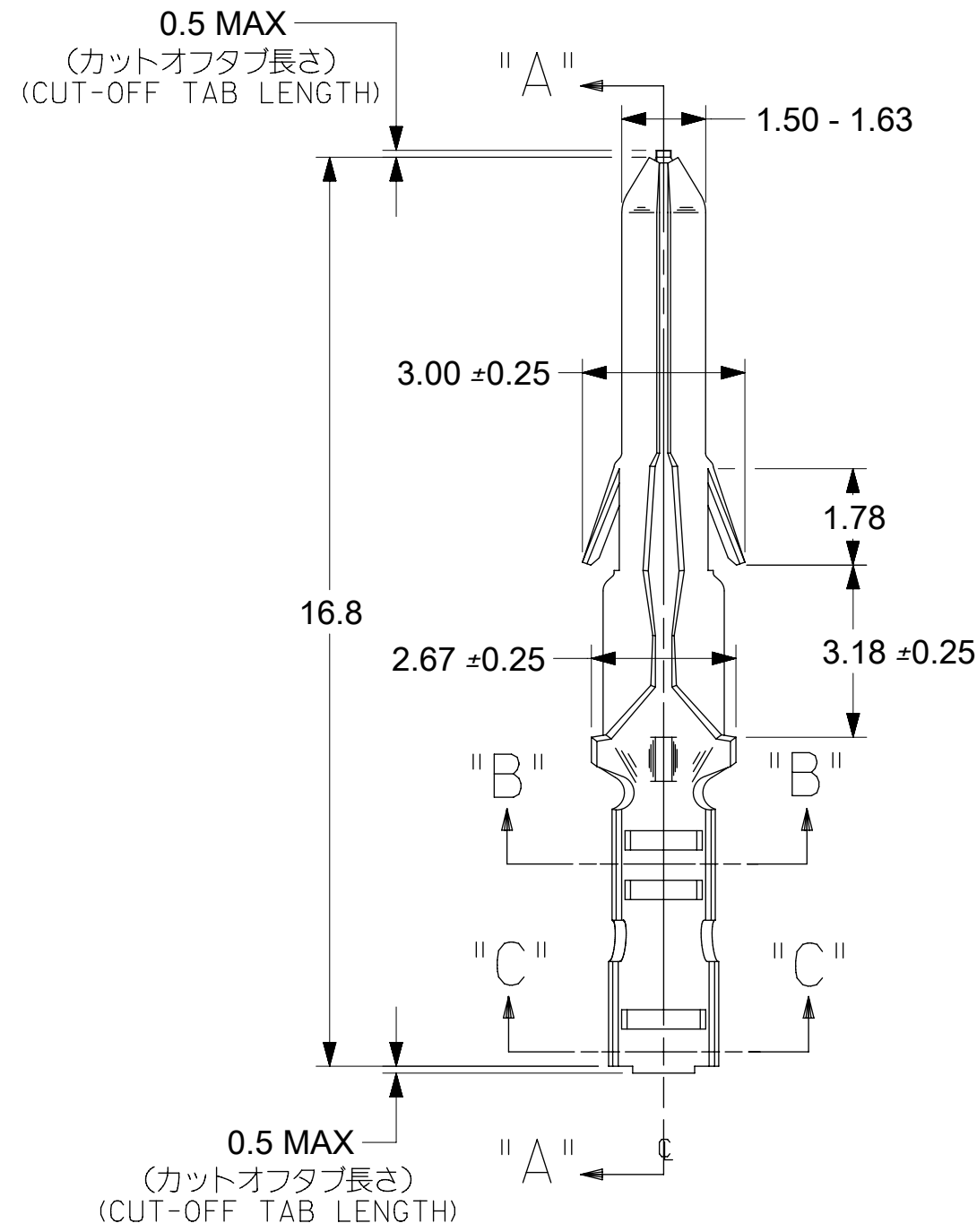
SECTION "B-B"



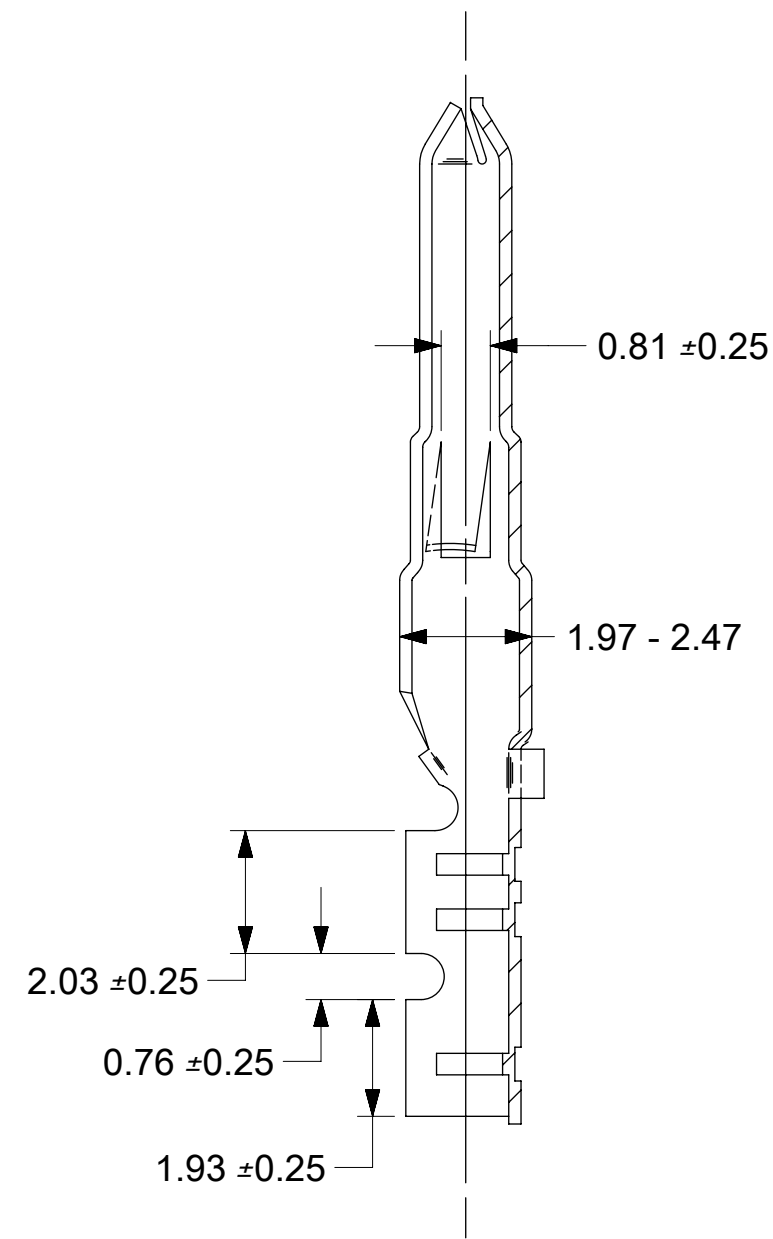
SECTION "C-C"



CHAIN FORM
SCALE: 4:1



SECTION "A-A"



NOTES:

1. MATERIAL: BRASS
2. FINISHES: SEE CHART
3. PRODUCT SPECIFICATION: PS-02-0-6
4. PACKAGE INFORMATION: 18540000-PK
5. TERMINAL FOR USE WITH (1.57)/.062 DIA. SERIES HOUSINGS AND WILL ACCEPT 22 THRU 28 AWG WIRE WITH 1.1-1.5 INSULATION DIAMETER.
6. PARTS CONFORM TO CLASS B REQUIREMENTS OF COSMETIC SPECIFICATION PS-45499-002.

一般公差 : ±0.4
GENERAL TOLERANCES: ±0.4

材料 MATERIAL	黄銅 BRASS	0.2 t
仕上げ FINISH	—	
適用電線範囲 WIRE RANGE	AWG#22-#28	
被覆外径 INS. RANGE	∅ 1.1~1.5	

SYMBOLS	THIS DRAWING CONTAINS INFORMATION THAT IS PROPRIETARY TO MOLEX ELECTRONIC TECHNOLOGIES, LLC AND SHOULD NOT BE USED WITHOUT WRITTEN PERMISSION	
	DIMENSION UNITS	SCALE
▽ = 0	mm	8:1
▽ / = 0	GENERAL TOLERANCES (UNLESS SPECIFIED)	
▽ = 0	ANGULAR TOL ± °	
▽ = 0	CURRENT REV DESC: RELEASED, REPLACES SD-1854*	
▽ = 0	4 PLACES ±	EC NO: 632666
▽ = 0	3 PLACES ±	DRWN: MKIPPER 2019/03/07
▽ = 0	2 PLACES ±	CHK'D: DSTEIER 2020/02/26
▽ = 0	1 PLACE ±	APPR: FSMITH 2020/06/05
☒ = 0	0 PLACES ±	INITIAL REVISION:
■ = 0	DRAFT WHERE APPLICABLE MUST REMAIN WITHIN DIMENSIONS	
▽ = 0	THIRD ANGLE PROJECTION	DRAWING SERIES
	C-SIZE	1854

銅 (0.5 μm MIN.) 下地 錫 (0.9 μm MIN.) TIN (0.9 μm MIN.) OVER COPPER (0.5 μm MIN.)	39-00-0335	1854TL	バラ端子 LOOSE
メッキ PLATING	EDP.NO.	ENG.NO.	連鎖状端子 CHAIN 形状 FORM

molex

CRIMP TERMINAL, MALE
.062 DIA. FOR 24-30 AWG WIRE

PRODUCT CUSTOMER DRAWING

DOCUMENT NUMBER	DOC TYPE	DOC PART	REVISION
18540001-SD	PSD	000	A

MATERIAL NUMBER	CUSTOMER	SHEET NUMBER
SEE CHART	GENERAL MARKET	1 OF 1