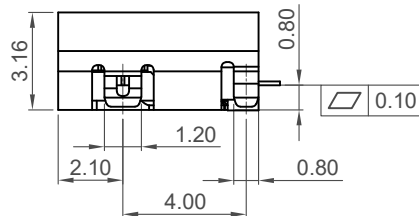
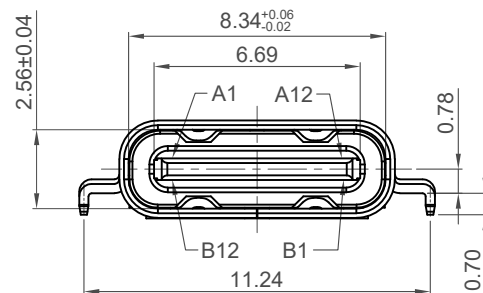


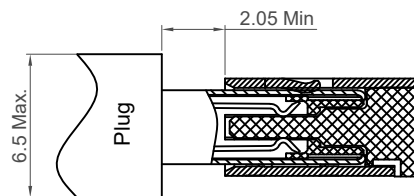
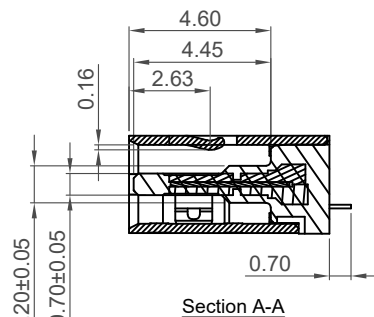
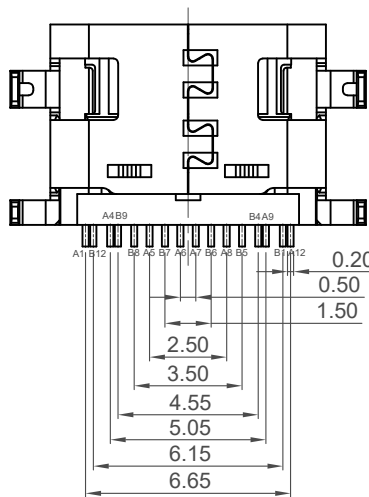
Recommended PCB Layout
Thickness=0.80mm

As viewed from component side Tolerance:±0.05mm

▨ Solder Area □ Component Outline



Pin	Signal	Mating Sequence	Pin	Signal	Mating Sequence
A1	GND	First	B12	GND	First
A4	Vbus	First	B9	Vbus	First
A5	CC1	Second	B8	SBU2	Second
A6	Dp1	Second	B7	Dn2	Second
A7	Dn1	Second	B6	Dp2	Second
A8	SBU1	Second	B5	CC2	Second
A9	Vbus	First	B4	Vbus	First
A12	GND	First	B1	GND	First
SHELL	GND		SHELL	GND	



Plug and Receptacle Mating View

Part Number		Product Description	
USB4500		USB Type C Receptacle for USB 2.0, SMT Type, Mid Mount, 0.8mm Offset	
Drawing Date		1st July 2021	
By	CC	Tolerances (Except as Noted)	Units:
Detail	Drawing Release	Length	Metric (mm)
Revision	A	X.X ± 0.30	
Date	01/07/21	X.XX ± 0.20	
		X.XXX ± 0.10	

Ordering Grid

USB4500 - 03 - X - A

Contact Plating: 03 = 3µ" Gold

Shell Spring: 0 = Without, 1 = With

Packing Options: A = Tape & Reel (1400 pcs/reel)

Request Samples and Quotation

Specifications

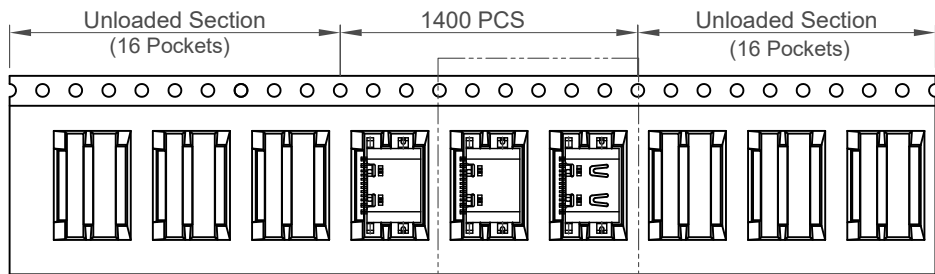
Material
Insulator: LCP, E130i, UL 94V-0, Black
Contact: Copper Alloy, C18400-H, T=0.12mm
Shell: Stainless steel, SUS304-1/2H, T=0.30mm
Mid Plate: Stainless Steel, SUS301-3/4H, T=0.15mm

Plating
Terminal:
Contact Area: See Ordering Grid
Solder Tails: Gold Flash
Underplating: 50µ" Min. Nickel All Over
Shell: 30µ" Min. Nickel
Mid Plate: Cleaning

Electrical
Current Rating: 5.00A collectively for Vbus pins
6.25A collectively for GND pins
1.25A for B5 pin
0.25A per pin for all other pins
Voltage Rating: 20V DC
Contact Resistance: 40mΩ max initial.
50mΩ max after test
Dielectric Withstanding Voltage: 100V AC
Insulation Resistance 100MΩ min

Mechanical & Environmental
Operating Temperature: -25°C to +85°C
Mating Force: 5 to 20 N.
Unmated Force: 6 to 20 N after test
Durability: 10,000 cycles

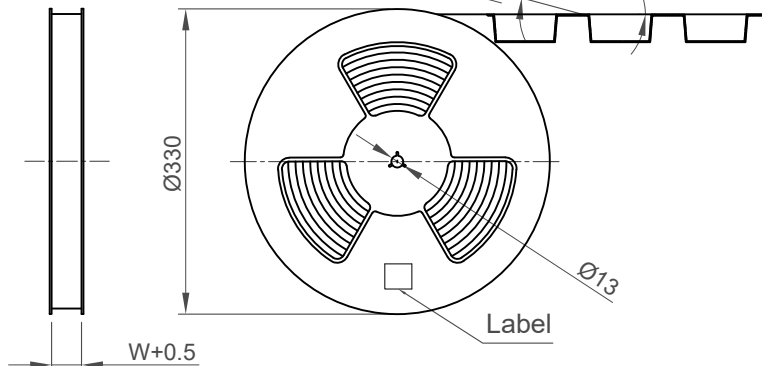




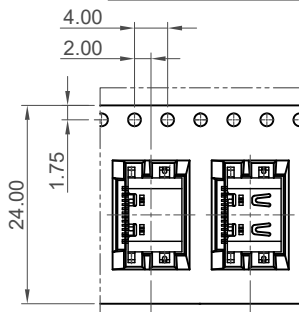
Direction of Unreeling

Detail E

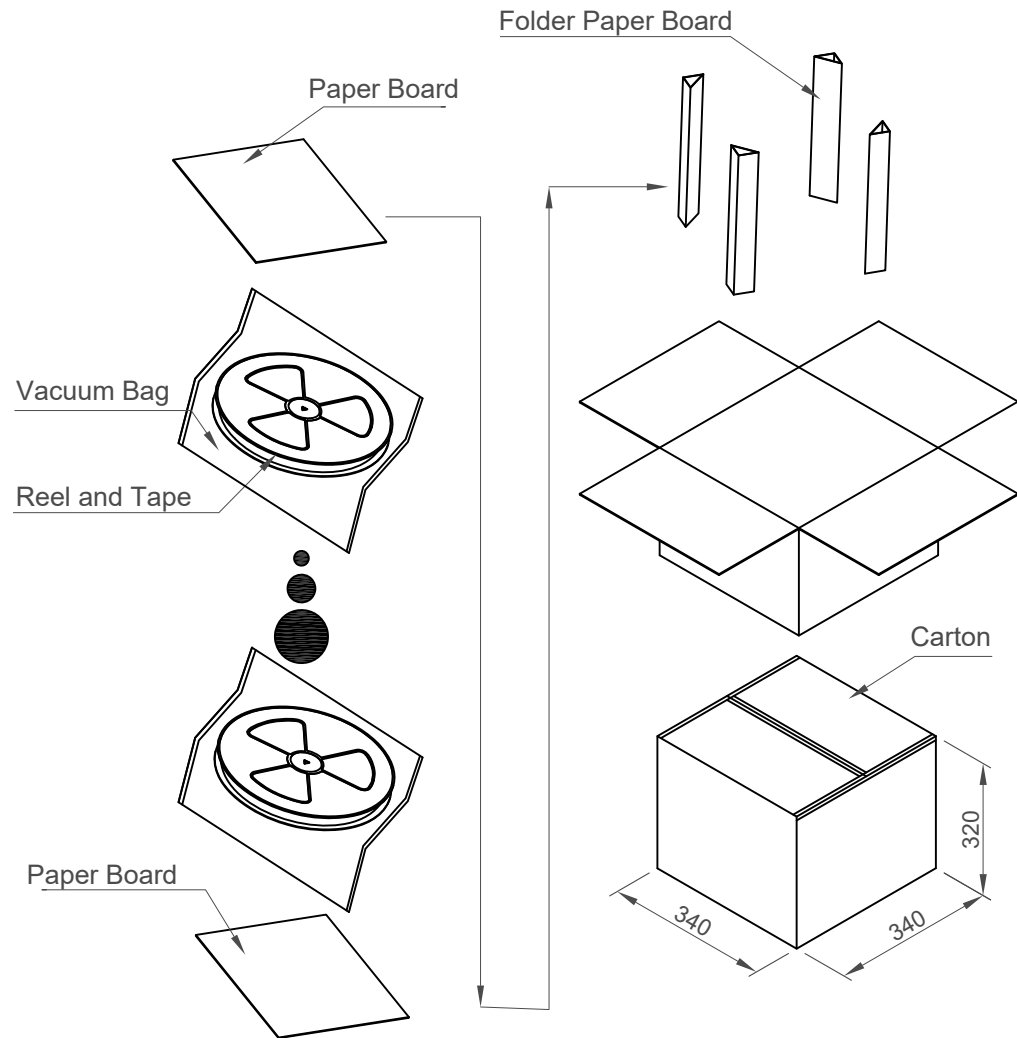
Peeling Angle 165°~180°



Direction of Unreeling



Detail E



Pcs / Reel	Reels / Carton	Total Quantity
1400	10	14000 pcs

Part Number		Product Description	
USB4500		USB Type C Receptacle for USB 2.0, SMT Type, Mid Mount, 0.8mm Offset	
Drawing Date		1st July 2021	
By	CC	Tolerances (Except as Noted)	Units:
Detail	Drawing Release	Length	Metric (mm)
Revision	A	Angle	
Date	01/07/21		



This drawing is confidential and copyright of Global Connector Technology, Ltd (GCT). This drawing must not be copied or disclosed without written consent. E & OE



Not to Scale Drawn By CC Sheet No. 2/2