

## N-Channel Super Junction Power MOSFET III

### General Description

The series of devices use advanced trench gate super junction technology and design to provide excellent  $R_{DS(ON)}$  with low gate charge. This super junction MOSFET fits the industry's AC-DC SMPS requirements for PFC, AC/DC power conversion, and industrial power applications.

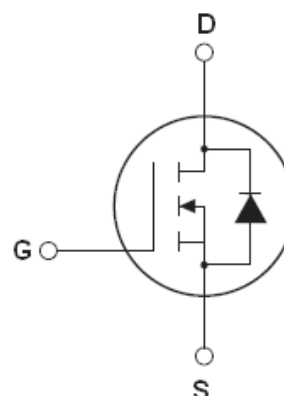
### Features

- New technology for high voltage device
- Low on-resistance and low conduction losses
- small package
- Ultra Low Gate Charge cause lower driving requirements
- 100% Avalanche Tested
- ROHS compliant
- Halogen-free

### Application

- Power factor correction (PFC)
- Switched mode power supplies(SMPS)
- Uninterruptible Power Supply (UPS)

$V_{DS}$	800	V
$R_{DS(ON)MAX}$	1200	m $\Omega$
$I_D$	5	A



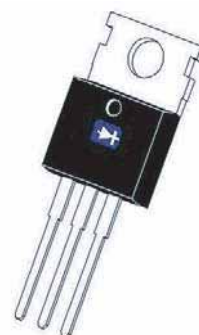
### Schematic diagram

### Package Marking And Ordering Information

Device	Device Package	Marking
RM5N800HD	TO-263	5N800
RM5N800T2	TO-220	5N800
RM5N800TI	TO-220F	5N800



TO-263



TO-220



TO-220F

**Table 1. Absolute Maximum Ratings ( $T_C=25^\circ\text{C}$ )**

Parameter	Symbol	RM5N800HD RM5N800T2	RM5N800TI	Unit
Drain-Source Voltage ( $V_{GS}=0V$ )	$V_{DS}$	800		V
Gate-Source Voltage ( $V_{DS}=0V$ ), AC( $f>1\text{HZ}$ )	$V_{GS}$	$\pm 30$		V
Continuous Drain Current at $T_C = 25^\circ\text{C}$	$I_{D(DC)}$	5	5	A
Continuous Drain Current at $T_C = 100^\circ\text{C}$	$I_{D(DC)}$	3.8	3.8*	A
Pulsed drain current <b>(Note 1)</b>	$I_{DM(pluse)}$	24	24*	A
Maximum Power Dissipation( $T_C=25^\circ\text{C}$ )	$P_D$	98	32.4	W
Derate above $25^\circ\text{C}$		0.78	0.26	W/ $^\circ\text{C}$
Single pulse avalanche energy <b>(Note2)</b>	$E_{AS}$	100		mJ
Avalanche current <b>(Note 1)</b>	$I_{AR}$	5		A
Repetitive Avalanche energy , $t_{AR}$ limited by $T_{jmax}$ <b>(Note 1)</b>	$E_{AR}$	0.3		mJ

Parameter	Symbol	RM5N800HD RM5N800T2	RM5N800TI	Unit
Drain Source voltage slope, $V_{DS} \leq 480V$ ,	dv/dt	50		V/ns
Reverse diode dv/dt, $V_{DS} \leq 480V, I_{SD} < I_D$	dv/dt	15		V/ns
Operating Junction and Storage Temperature Range	$T_J, T_{STG}$	-55...+150		°C

\* limited by maximum junction temperature

**Table 2. Thermal Characteristic**

Parameter	Symbol	RM5N800HD RM5N800T2	RM5N800TI	Unit
Thermal Resistance, Junction-to-Case (Maximum)	$R_{thJC}$	1.28	3.86	°C/W
Thermal Resistance, Junction-to-Ambient (Maximum)	$R_{thJA}$	62	80	°C/W

**Table 3. Electrical Characteristics (TA=25°C unless otherwise noted)**

Parameter	Symbol	Condition	Min	Typ	Max	Unit
<b>On/off states</b>						
Drain-Source Breakdown Voltage	$BV_{DSS}$	$V_{GS}=0V, I_D=250\mu A$	800			V
Zero Gate Voltage Drain Current( $T_J=25^\circ C$ )	$I_{DSS}$	$V_{DS}=800V, V_{GS}=0V$			1	$\mu A$
Zero Gate Voltage Drain Current( $T_J=150^\circ C$ )	$I_{DSS}$	$V_{DS}=800V, V_{GS}=0V$			100	$\mu A$
Gate-Body Leakage Current	$I_{GSS}$	$V_{GS}=\pm 30$			$\pm 100$	nA
Gate Threshold Voltage	$V_{GS(th)}$	$V_{DS}=V_{GS}, I_D=250\mu A$	2.5		4.5	V
Drain-Source On-State Resistance	$R_{DS(on)}$	$V_{GS}=10V, I_D=2A$			1.2	$\Omega$
<b>Dynamic Characteristics</b>						
Forward Transconductance	$g_{FS}$	$V_{DS} = 20V, I_D = 4A$		6		S
Input Capacitance	$C_{iss}$	$V_{DS}=50V, V_{GS}=0V,$ $F=1.0MHz$		1320		pF
Output Capacitance	$C_{oss}$			33		pF
Reverse Transfer Capacitance	$C_{rss}$			2		pF
Total Gate Charge	$Q_g$	$V_{DS}=640V, I_D=6A,$ $V_{GS}=10V$		22.8		nC
Gate-Source Charge	$Q_{gs}$			7.7		nC
Gate-Drain Charge	$Q_{gd}$			6.9		nC
<b>Switching times</b>						
Turn-on Delay Time	$t_{d(on)}$	$V_{DD}=400V, I_D=3A,$ $R_G=3\Omega, V_{GS}=10V$		10		nS
Turn-on Rise Time	$t_r$			5		nS
Turn-Off Delay Time	$t_{d(off)}$			53	70	nS
Turn-Off Fall Time	$t_f$			6	9	nS
<b>Source- Drain Diode Characteristics</b>						
Source-drain current(Body Diode)	$I_{SD}$	$T_C=25^\circ C$			6	A
Pulsed Source-drain current(Body Diode)	$I_{SDM}$				24	A
Forward on voltage	$V_{SD}$	$I_{SD}=2A, V_{GS}=0V$			1.2	V
Reverse Recovery Time	$t_{rr}$	$T_J=25^\circ C, I_F=3A,$ $di/dt=100A/\mu s$		260		nS
Reverse Recovery Charge	$Q_{rr}$			1.7		$\mu C$
Peak Reverse Recovery Current	$I_{rrm}$			13		A

Notes: 1.Repetitive Rating: Pulse width limited by maximum junction temperature

2.  $T_J=25^\circ C, V_{DD}=50V, V_G=10V, R_G=25\Omega$

# RATING AND CHARACTERISTICS CURVES (RM5N800HD/TI/T2)

Figure1. Safe operating area

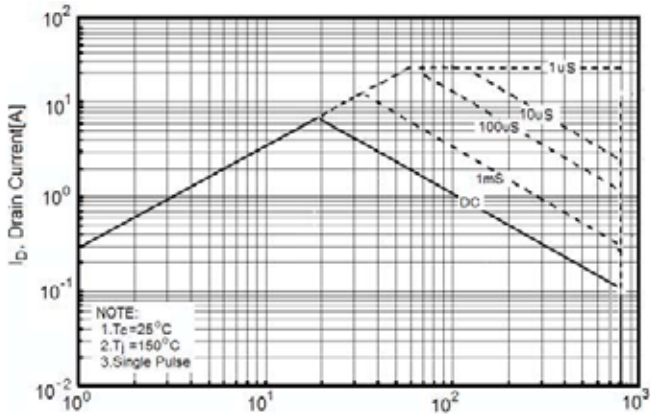


Figure2. Safe operating area for TO-220F

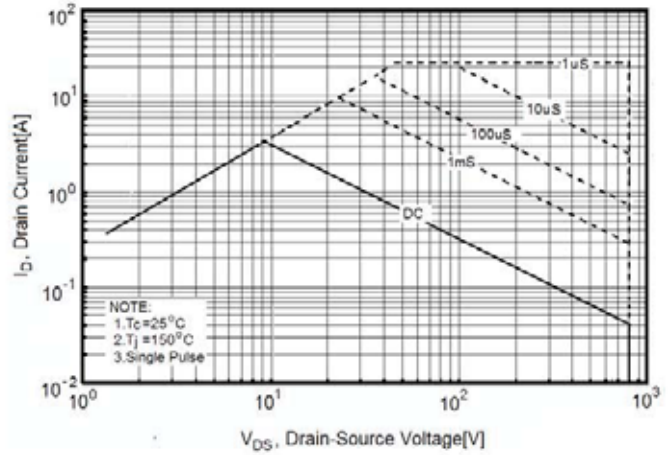


Figure3. Source-Drain Diode Forward Voltage

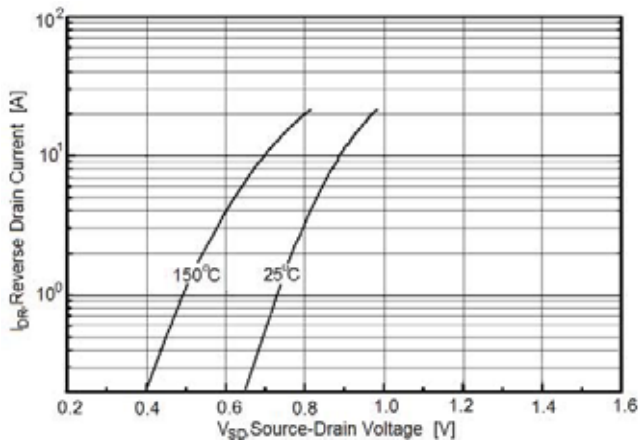


Figure4. Output characteristics

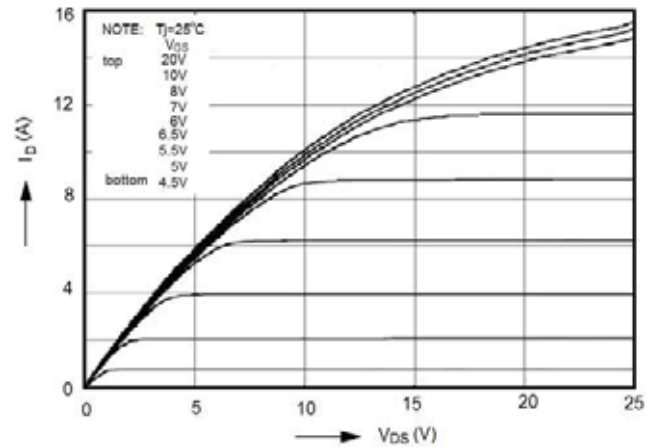


Figure5. Transfer characteristics

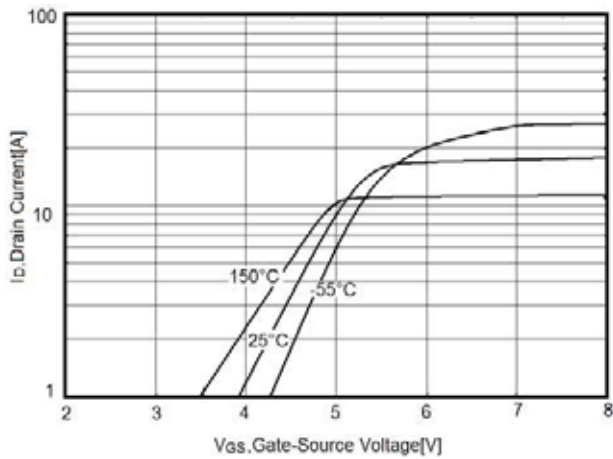
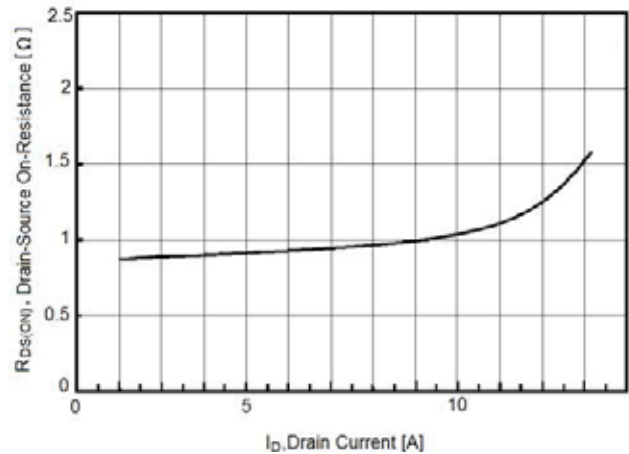


Figure6. Static drain-source on resistance



# RATING AND CHARACTERISTICS CURVES (RM5N800HD/TI/T2)

Figure7.  $R_{DS(ON)}$  vs Junction Temperature

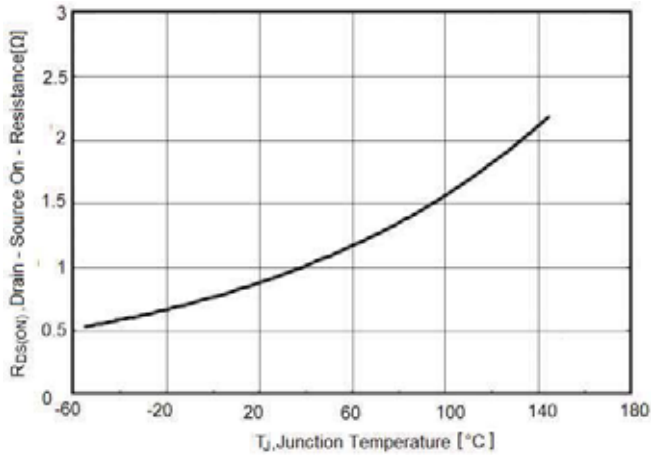


Figure8.  $BV_{DSS}$  vs Junction Temperature

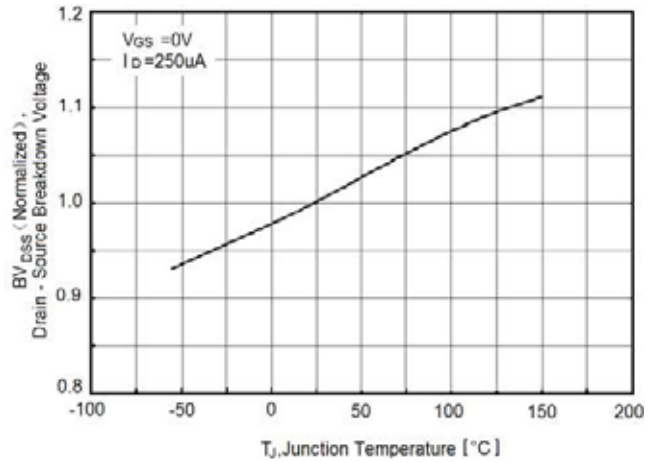


Figure9. Maximum  $I_D$  vs Junction Temperature

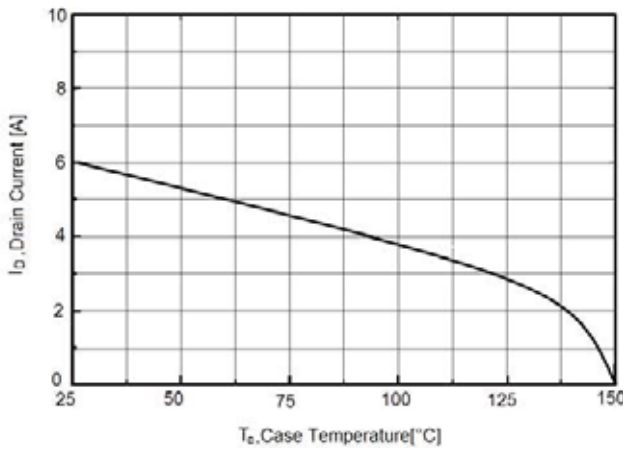


Figure10. Gate charge waveforms

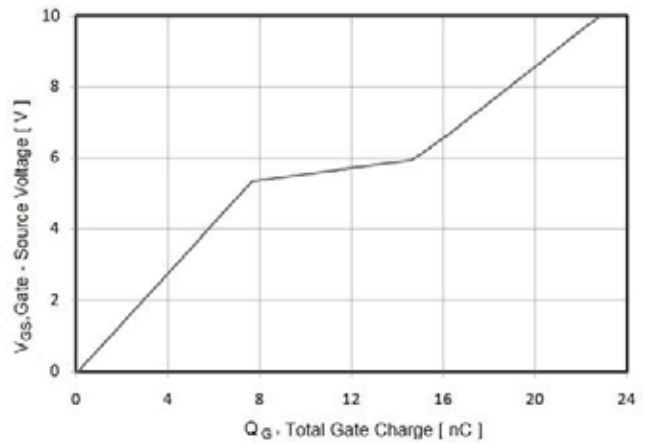


Figure11. Capacitance

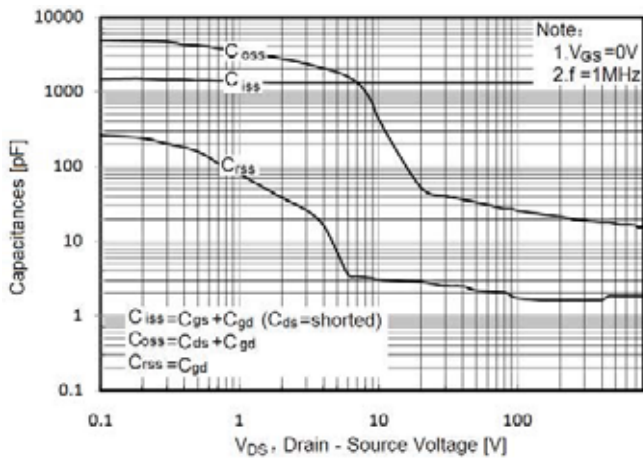
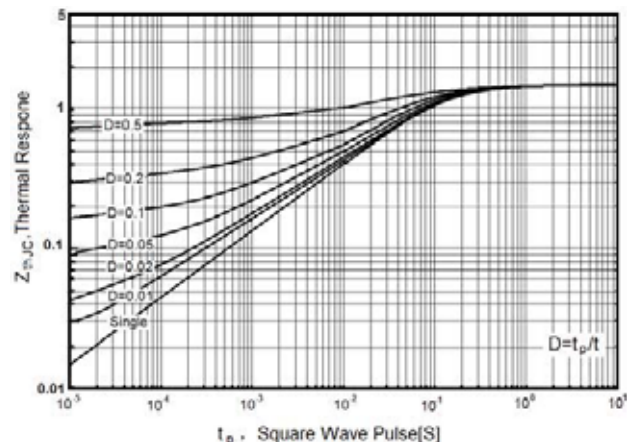
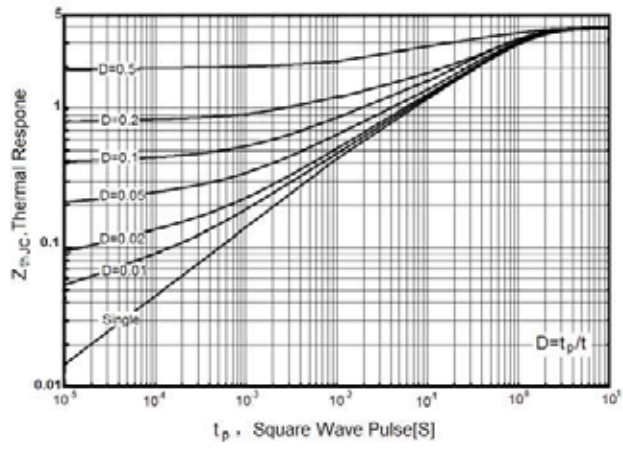


Figure12. Transient Thermal Impedance



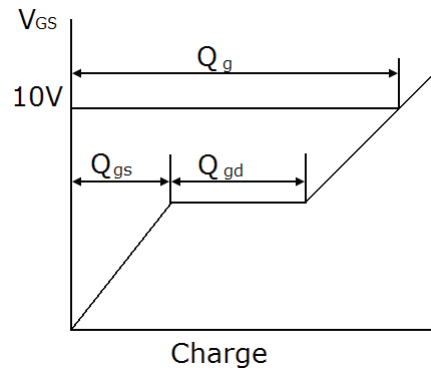
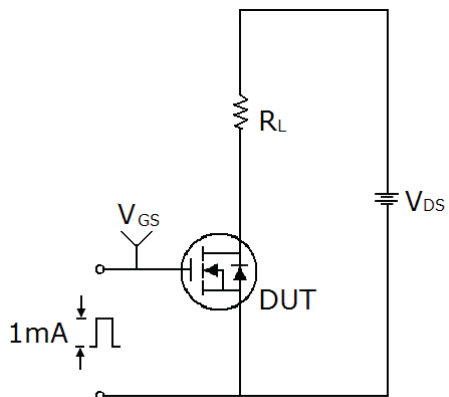
# RATING AND CHARACTERISTICS CURVES (RM5N800HD/TI/T2)

Figure13. Transient Thermal Impedance for TO-220F

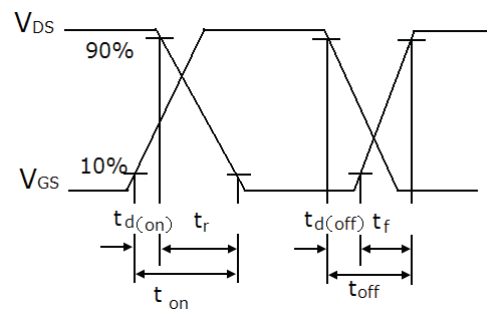
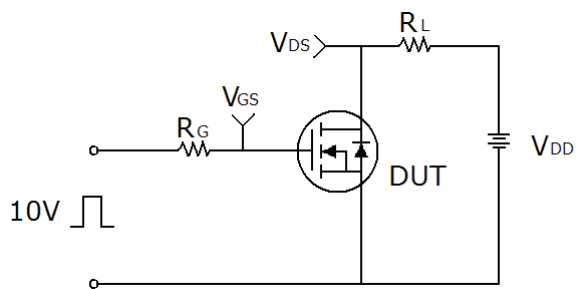


# Test circuit

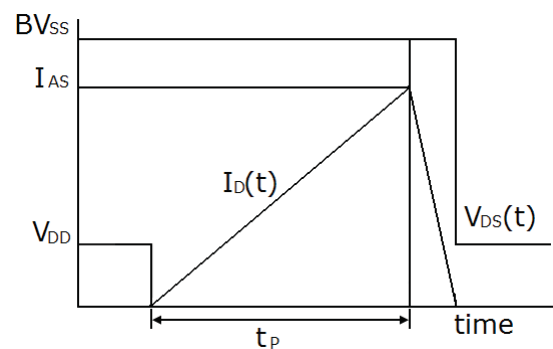
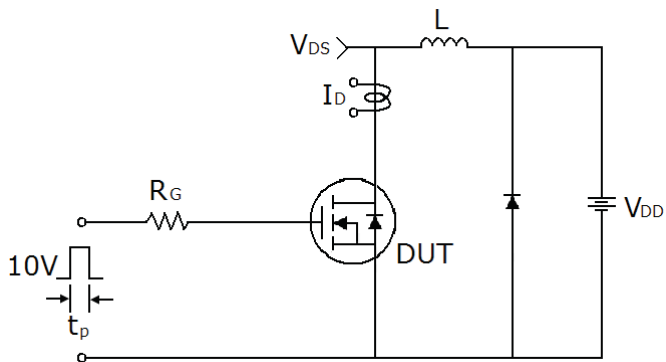
## 1) Gate charge test circuit & Waveform



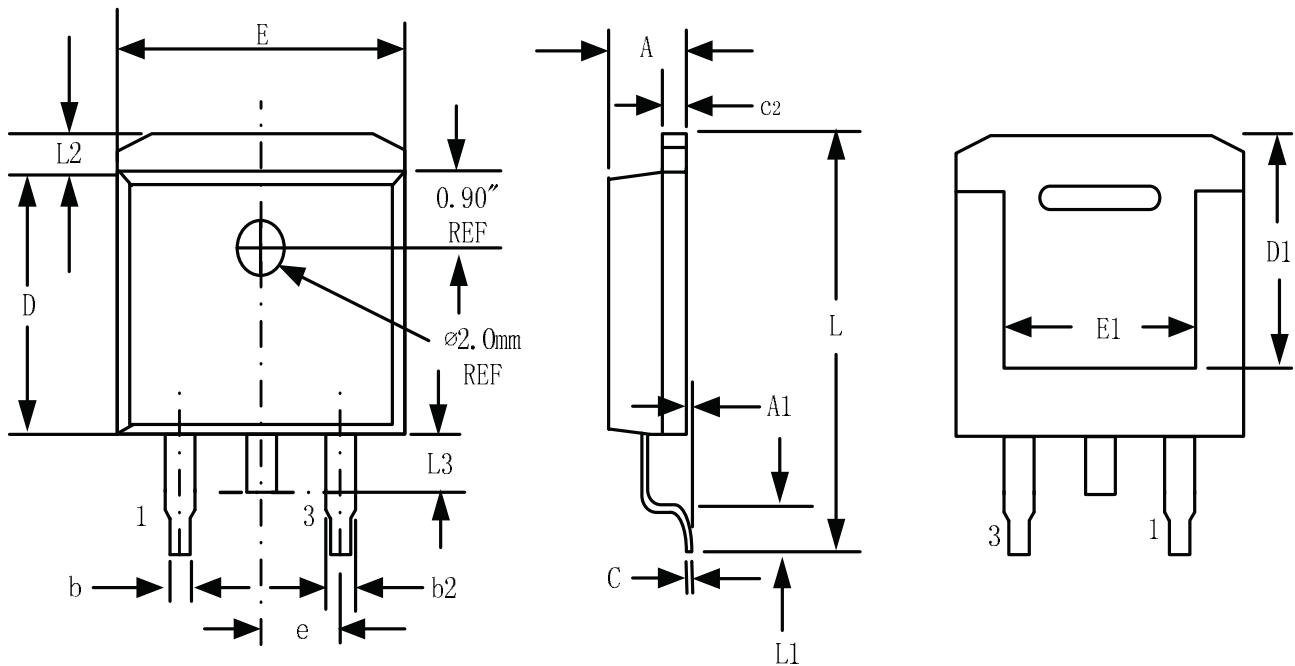
## 2) Switch Time Test Circuit:



## 3) Unclamped Inductive Switching Test Circuit & Waveforms

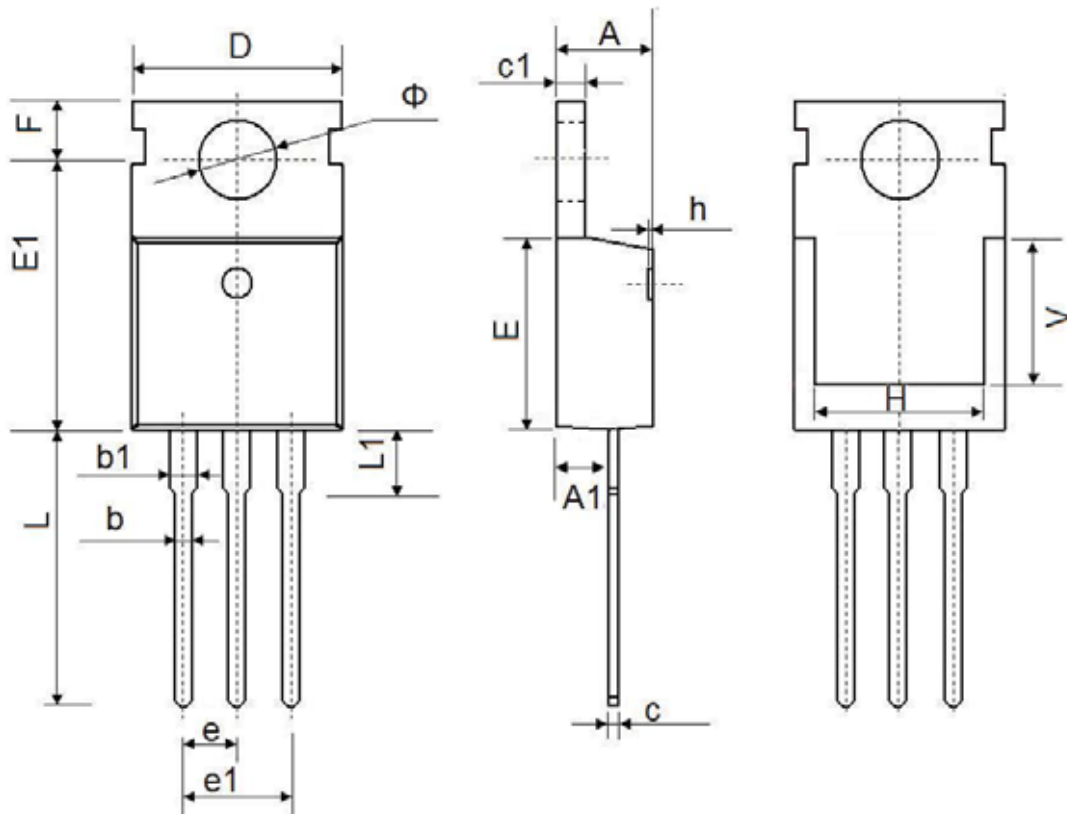


# TO-263-3L Package Information



Symbol	Dimensions In Millimeters		Dimensions In Inches	
	Min.	Max.	Min.	Max.
A	4.32	4.57	0.170	0.180
A1	-	0.25		0.010
b	0.71	0.94	0.028	0.037
b2	1.15	1.40	0.045	0.055
c	0.46	0.61	0.018	0.024
c2	1.22	1.40	0.048	0.055
D	8.89	9.40	0.350	0.370
D1	8.01	8.23	0.315	0.324
E	10.04	10.28	0.395	0.405
E1	7.88	8.08	0.310	0.318
e	2.54 BSC		0.100 BSC	
L	14.73	15.75	0.580	0.620
L1	2.29	2.79	0.090	0.110
L2	1.15	1.39	0.045	0.055
L3	1.27	1.77	0.050	0.070

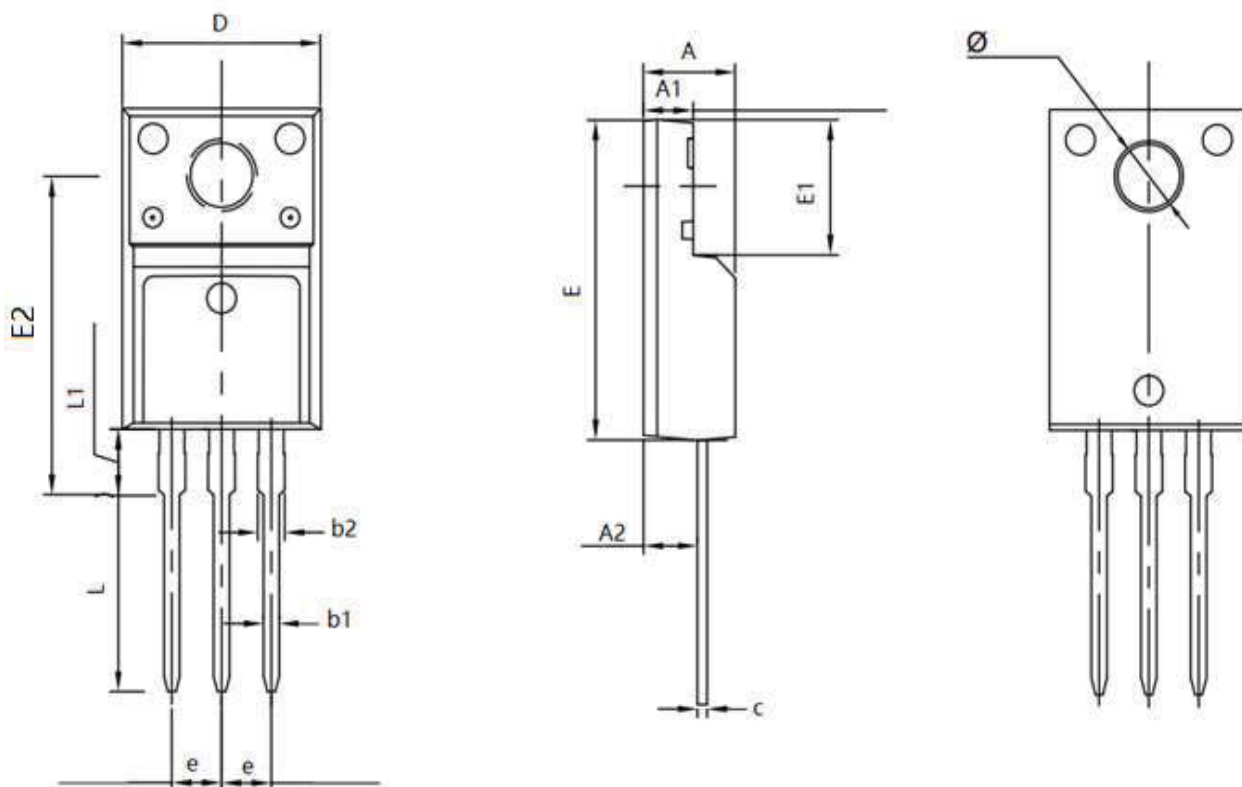
# TO-220-3L-C Package Information



Symbol	Dimensions In Millimeters		Dimensions In Inches	
	Min.	Max.	Min.	Max.
A	4.400	4.600	0.173	0.181
A1	2.250	2.550	0.089	0.100
b	0.710	0.910	0.028	0.036
b1	1.170	1.370	0.046	0.054
c	0.330	0.650	0.013	0.026
c1	1.200	1.400	0.047	0.055
D	9.910	10.250	0.390	0.404
E	8.9500	9.750	0.352	0.384
E1	12.650	12.950	0.498	0.510
e	2.540 TYP.		0.100 TYP.	
e1	4.980	5.180	0.196	0.204
F	2.650	2.950	0.104	0.116
H	7.900	8.100	0.311	0.319
h	0.000	0.300	0.000	0.012
L	12.900	13.400	0.508	0.528
L1	2.850	3.250	0.112	0.128
V	7.500 REF.		0.295 REF.	
$\Phi$	3.400	3.800	0.134	0.150



## TO-220F Package Information



Symbol	Dimensions In Millimeters		Dimensions In Inches	
	Min.	Max.	Min.	Max.
A	4.500	4.900	0.177	0.193
A1	2.340	2.740	0.092	0.108
A2	2.560	2.960	0.101	0.117
b1	0.700	0.900	0.028	0.035
b2	1.180	1.580	0.046	0.062
c	0.400	0.600	0.016	0.024
D	9.960	10.360	0.392	0.408
E	15.670	15.970	0.617	0.629
E1	6.500	6.900	0.256	0.272
E2	15.500	16.100	0.610	0.634
e	2.540 TYP		0.100 TYP	
$\varnothing$	3.080	3.280	0.121	0.129
L	12.640	13.240	0.498	0.521
L1	3.030	3.430	0.119	0.135

## DISCLAIMER NOTICE

Rectron Inc reserves the right to make changes without notice to any product specification herein, to make corrections, modifications, enhancements or other changes. Rectron Inc or anyone on its behalf assumes no responsibility or liability for any errors or inaccuracies. Data sheet specifications and its information contained are intended to provide a product description only. "Typical" parameters which may be included on RECTRON data sheets and/ or specifications can and do vary in different applications and actual performance may vary over time. Rectron Inc does not assume any liability arising out of the application or use of any product or circuit.

Rectron products are not designed, intended or authorized for use in medical, life-saving implant or other applications intended for life-sustaining or other related applications where a failure or malfunction of component or circuitry may directly or indirectly cause injury or threaten a life without expressed written approval of Rectron Inc. Customers using or selling Rectron components for use in such applications do so at their own risk and shall agree to fully indemnify Rectron Inc and its subsidiaries harmless against all claims, damages and expenditures.