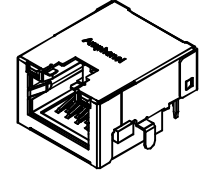


REVISIONS			
REV	DESCRIPTION, EGN, EAR NO.	DATE	APP'D
A	NEW PROPOSAL DRAWING	OCT.8,2018	L.CHAN



- NOTES:
ELECTRICAL:
 1. VOLTAGE RATING : 125 VAC.
 2. CURRENT RATING : 1.25 AMP.
 3. INSULATING RESISTANCE : 500 MEGOHMS MINIMUM.
 4. DIELECTRIC STRENGTH : 1000 VAC 60HZ, 1MIN.
 5. CATEGORY 5E CHARACTERISTIC:

Frequency MHz	Near-End Crosstalk dB, MIN.	Return Loss dB, MIN.	Attenuation dB, MAX.
1.0	65	30	0.1
4.0	65	30	0.1
8.0	64.9	30	0.1
10.0	63	30	0.1
16.0	58.9	30	0.2
20.0	57	30	0.2
25.0	55	30	0.2
31.25	53.1	30	0.2
62.5	47.1	24.1	0.3
100.0	43	20	0.4

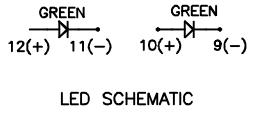
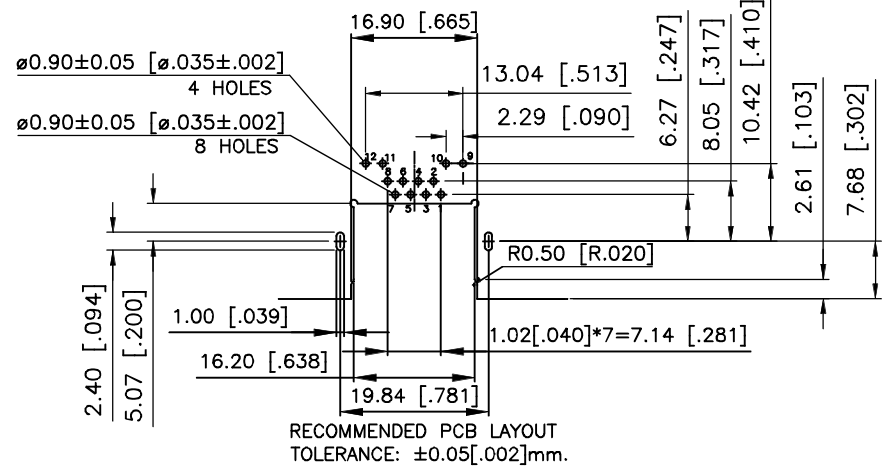
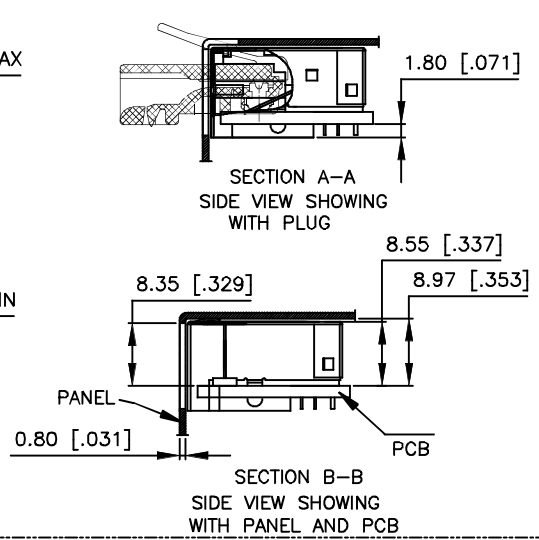
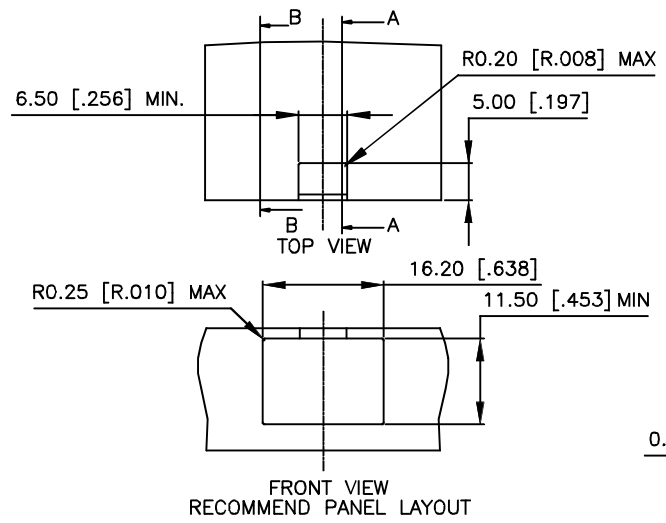
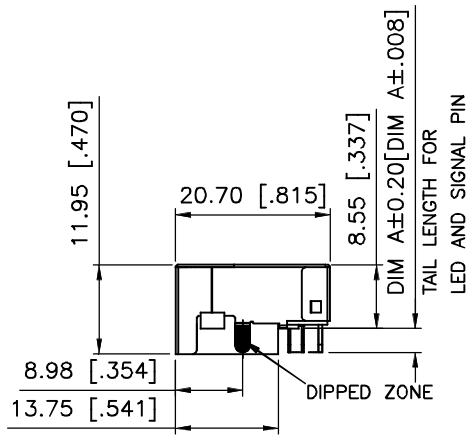
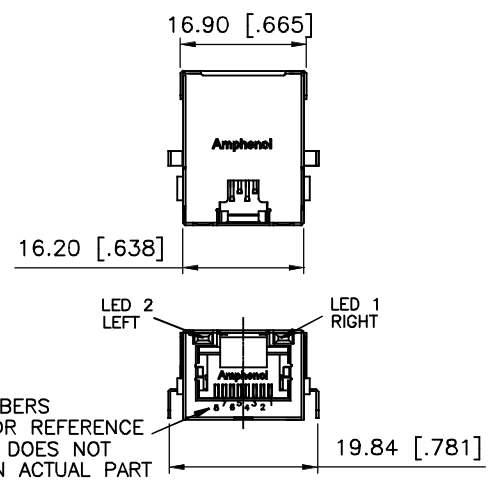
- MECHANICAL:**
 1. SHIELD : STAINLESS STEEL, WITH TIN-DIP ON SOLDER TABS.
 2. HOUSING : HIGH TEMP THERMOPLASTIC. UL 94V-0.
 3. INSERT : HIGH TEMP THERMOPLASTIC UL 94V-0.
 4. PCB : FR-4.
 5. CONTACT : PHOSPHOR BRONZE.
 SELECTIVE GOLD PLATING FOR MATING SURFACE, SEE AMPHENOL PART NUMBER FOR DETAIL.
 50u" NICKEL UNDERPLATE
 100u" MATTE TIN PLATING ON CONTACT SOLDER TAIL.

- ENVIRONMENTAL:**
 1. STORAGE : -40° TO +85°.
 2. OPERATION : -40° TO +85°.
 MATES WITH MODULAR PLUG CONFORMING TO TIA 1096.
 RECOMMENDED SOLDER PROCESS: WAVE SOLDER, PEAK TEMPERATURE 260° FOR 5 SECOND MAXIMUM.

AMPHENOL PART NUMBER: RJE72-188-6XXX
 GOLD PLATING OPTION _____ OPTIONS (SEE BELOW TABLE 1)
 REFER TO LED OPTIONS DRAWING FOR ORDERING CODES
 1=6u" [0.15 MICRONS] GOLD PLATING
 2=15u" [0.38 MICRONS] GOLD PLATING
 3=30u" [0.76 MICRONS] GOLD PLATING
 4=50u" [1.27 MICRONS] GOLD PLATING

TABLE 1

AMPHENOL P/N:	DIM A	RECOMMEND PCB THICKNESS
RJE721886XX1	3.18[.125]	2.36[.093]
RJE721886XX2	2.27[.089]	1.57[.062]
RJE721886XX3	2.16[.085]	1.57[.062]



UNLESS SPECIFIED OTHERWISE	DRAWN	KELVIN	OCT.8,2018
PRIMARY UNITS MILLIMETERS	CHECKED	L.CHAN	OCT.8,2018
SECONDARY INCHES	M.E. APP'D		
REFERENCE IN PARENTHESES	Q.A. APP'D		
GENERAL TOLERANCES FOR MM	DWG APP'D	ADRIAN.G	OCT.8,2018
1 DECIMAL PLACE ±0.50	ENG. REL. NO.		
2 DECIMAL PLACE ±0.30	REF.		
3 DECIMAL PLACE ±0.10	THIRD ANGLE PROJECTION		
ANGULAR DEGREES ±3°	DO NOT SCALE DRAWING		

Amphenol Canada Corp.
 Commercial Products

MODULAR JACK, SINGLE PORT, 8 POSITIONS, 8 CONTACTS, SHIELDED WITHOUT TOP & SIDE TABS, WITH LED, SINK PCB IYPE, IAB UP, CAISE

DWG NO. P-RJE72-188-6XXX REV A

CODE ID NO. Q3554 DWG SIZE: C SCALE: N/A SHEET 1 OF 1