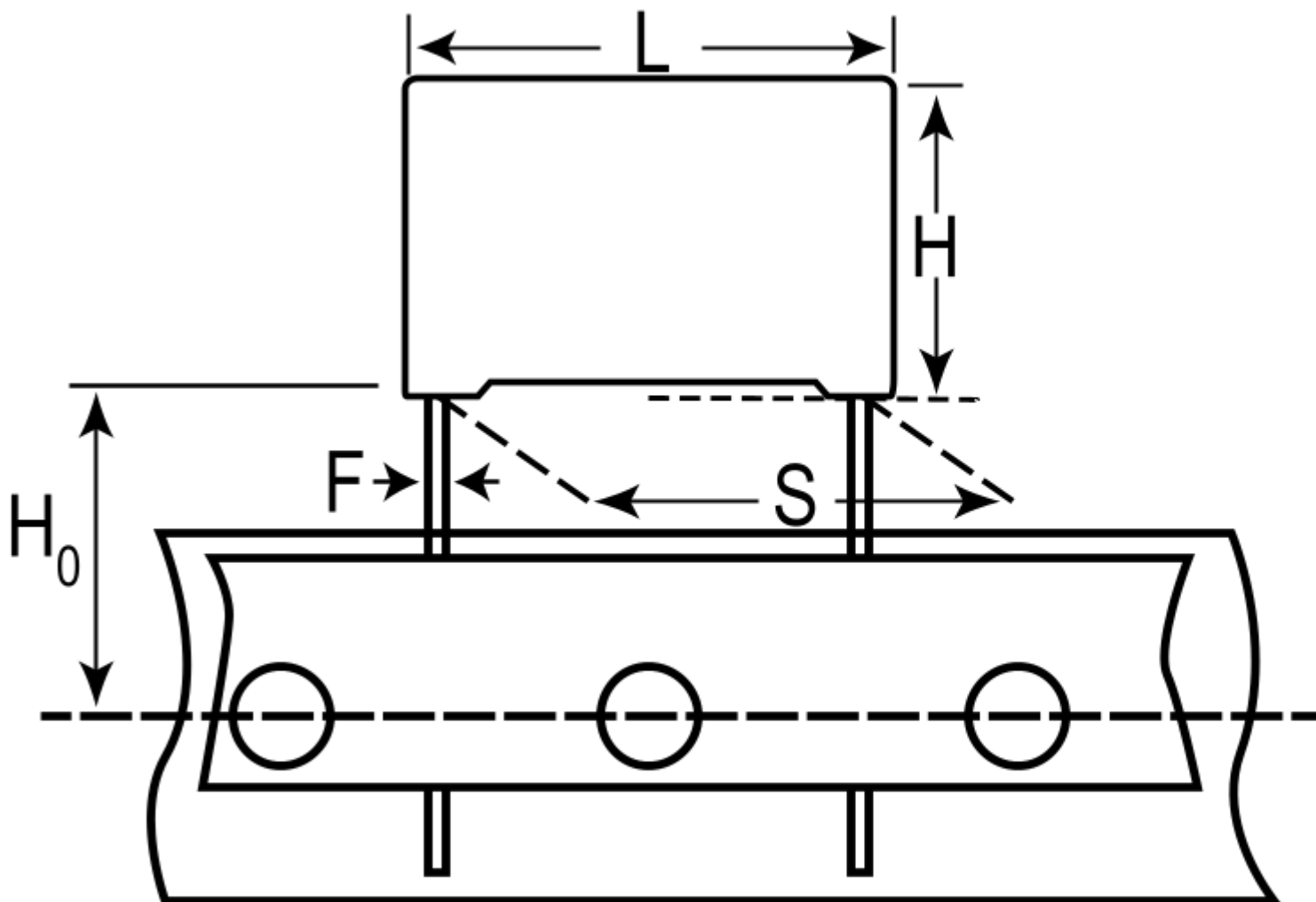


R75PD1330DQ40J

Aliases (75PD1330DQ40J)

R75, Film, Metallized Polypropylene, Automotive Grade, 3300 pF, 5%, 630 VDC, 85°C, Lead Spacing = 7.5mm



Click [here](#) for the 3D model.

Dimensions

L 10mm +0.2/-0.5mm

H 9mm +0.1/-0.5mm

Dimensions

T 4mm +0.1/-0.5mm
S 7.5mm +/-0.4mm
H0 18.5mm +/-0.5mm
F 0.5mm +/-0.05mm

Packaging Specifications

Packaging Ammo, 360x340x59mm, Box
Packaging Quantity 2100

General Information

Series R75
Dielectric Metallized Polypropylene
Style Radial
Features Automotive Grade, Pulse
RoHS Yes
Lead Wire Leads
Qualifications AEC-Q200
AEC-Q200 Yes
Component Weight 0.654 g
Miscellaneous Above 85C DC And AC Voltage Derating Is 1.25%/C.

Specifications

Capacitance 3300 pF
Capacitance Tolerance 5%
Voltage AC 250 VAC
Voltage DC 630 VDC
Temperature Range -55/+105°C
Rated Temperature 85°C
Dissipation Factor 0.04% 1kHz, 0.06% 10kHz, 0.25% 100kHz
Insulation Resistance 100 GOhms
Max dV/dt 2400 V/us
Resistance 241.1 mOhms (100kHz)
Ripple Current 0.52 Amps (100kHz 85C), 8 Amps (Peak)
Inductance 8 nH

Statements of suitability for certain applications are based on our knowledge of typical operating conditions for such applications, but are not intended to constitute - and we specifically disclaim - any warranty concerning suitability for a specific customer application or use. This Information is intended for use only by customers who have the requisite experience and capability to determine the correct products for their application. Any technical advice inferred from this Information or otherwise provided by us with reference to the use of our products is given gratis, and we assume no obligation or liability for the advice given or results obtained.

Generated 5/18/2023 - 6ceed2ae-1c61-4bae-86d7-a7110a017afd
© 2006 - 2023 KEMET
Generated 5/18/2023 - 6ceed2ae-1c61-4bae-86d7-a7110a017afd
© 2006 - 2023 KEMET