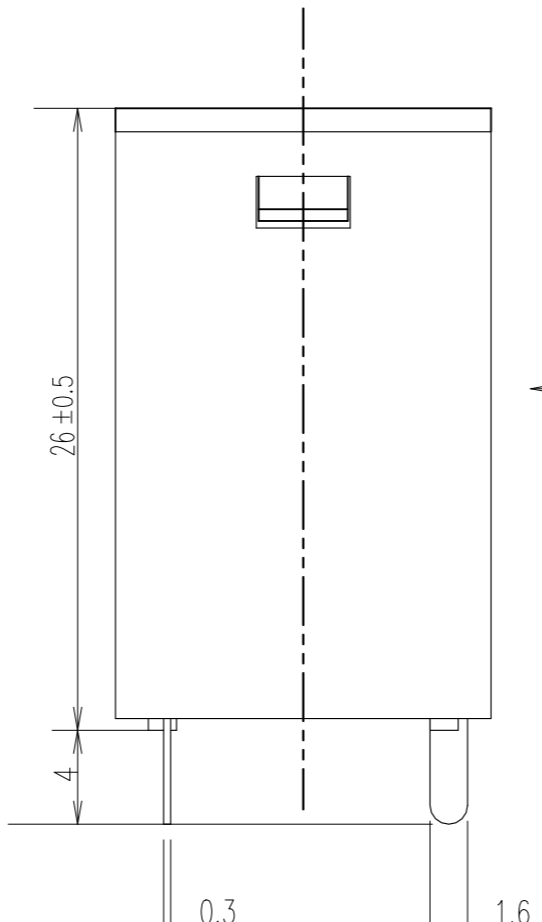
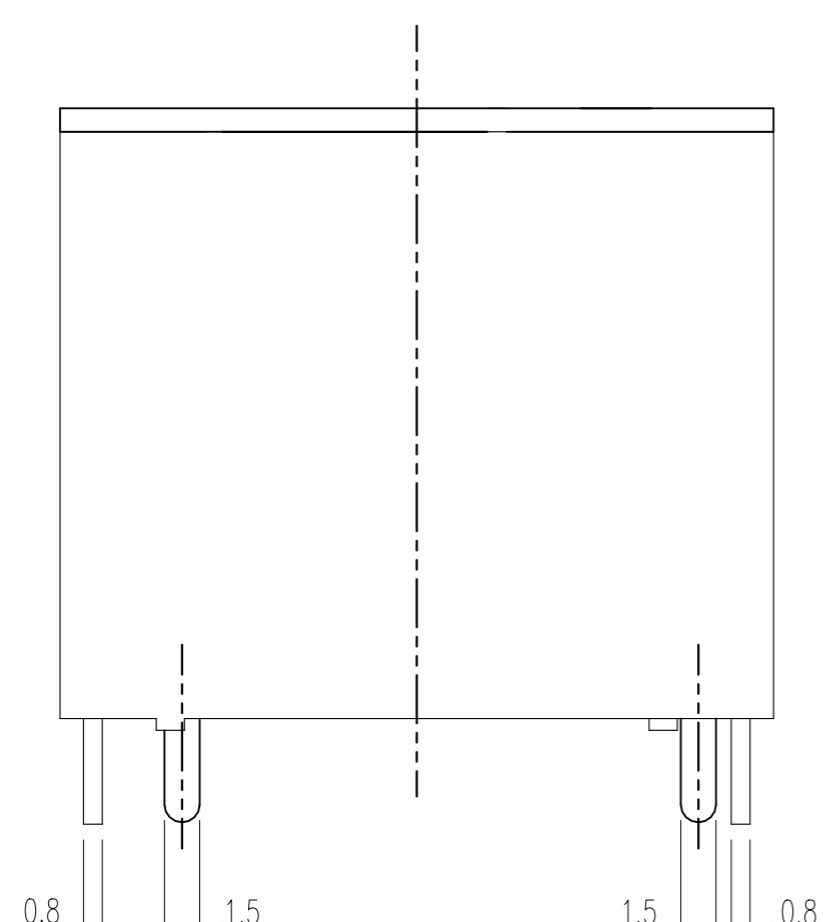


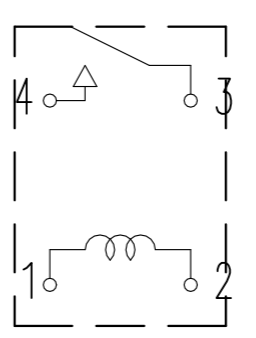
THIS DRAWING IS UNPUBLISHED. RELEASED FOR PUBLICATION

© COPYRIGHT - By - ALL RIGHTS RESERVED.

LOC	DIST	REVISIONS			
P	LTR	DESCRIPTION	DATE	DWN	APVD
HB	-				
C		CHANGE TE LOGO;TERMINALS TOLERANCE CLARIFICATION;ECO-18-008295	30-MAY-18	TOD	K.T
D		UPDATE ERROR ECN-21-110436	13-JUL-21	ZX.F	K.T



CONNECTION DIAGRAM



VIEW C

DRILLING DIAGRAM (BOTTOM VIEW)

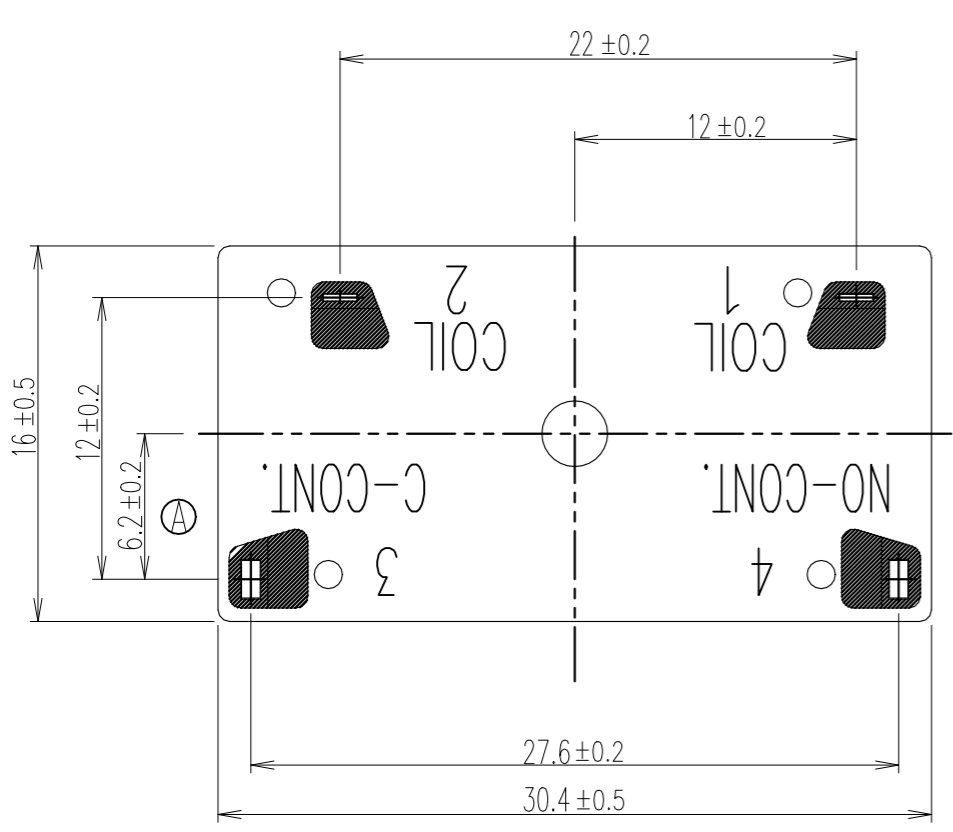
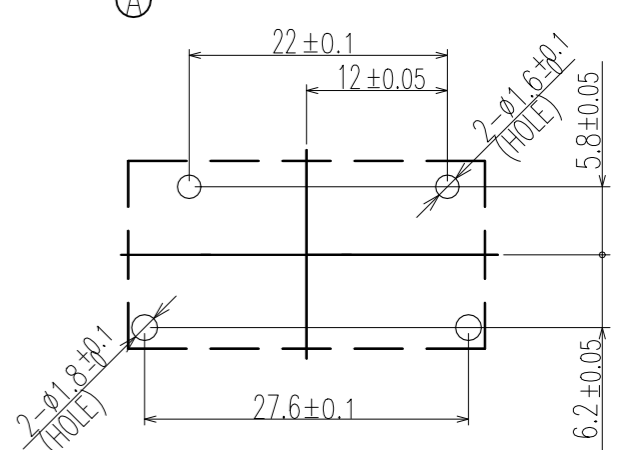
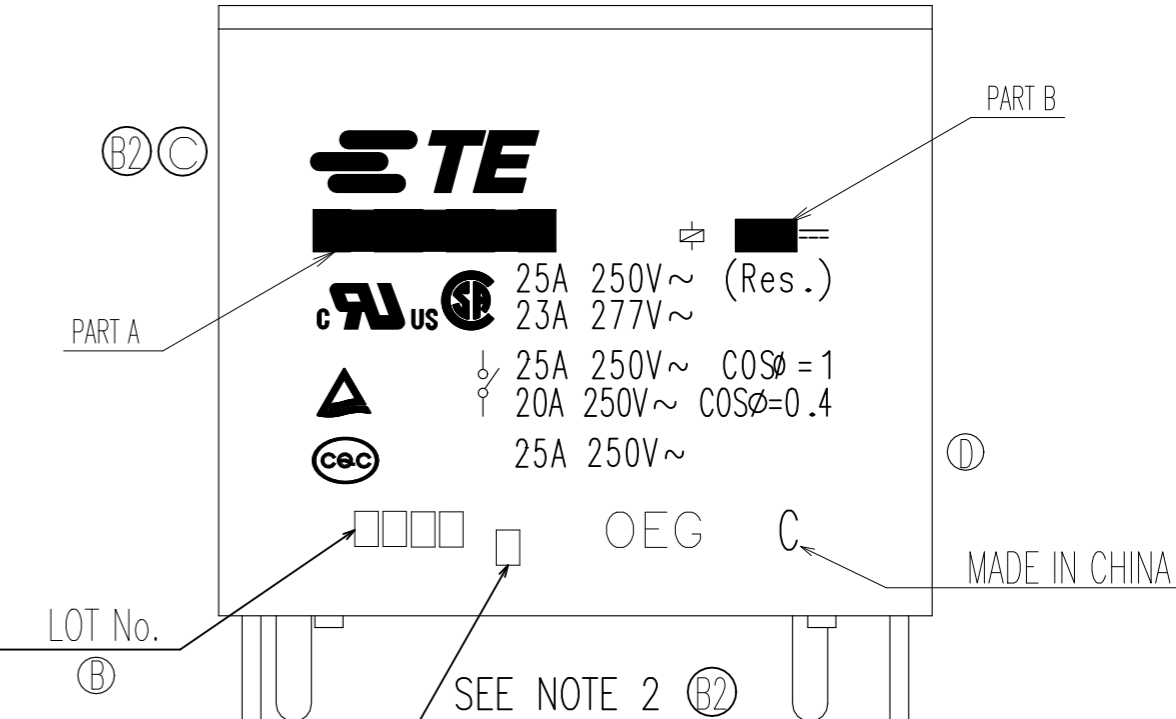


DIAGRAM DIMENSION	TOLERANCE
0.99mm MAX.	±0.1mm
1 - 2.99mm	±0.2mm
3mm MIN.	±0.3mm



**TE**

**UL** **us** **CS**

**CEC**

**CCC**

25A 250V~ (Res.)  
 23A 277V~  
 ↓ 25A 250V~ COSφ=1  
 20A 250V~ COSφ=0.4  
 25A 250V~

OEG

C

①

MADE IN CHINA

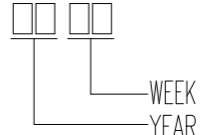
THIS DRAWING IS A CONTROLLED DOCUMENT.		DWN H.SASAKI		<b>TE</b> TE Connectivity	
		CHK Y.OIKAWA			
APVD A.NAGAI		NAME		PCFN-D2M SPEC,000	
PRODUCT SPEC					
APPLICATION SPEC		SIZE		RESTRICTED TO	
		CAGE CODE		-	
MATERIAL		DRAWING NO		-	
FINISH		A3 00779		-	
		G=1461193		-	
CUSTOMER DRAWING		SCALE 3:1		SHEET 1 OF 2	
		REV D			

THIS DRAWING IS UNPUBLISHED. RELEASED FOR PUBLICATION  
 © COPYRIGHT - By - ALL RIGHTS RESERVED.

LOC	DIST	REVISIONS					
HB	-	P	LTR	DESCRIPTION	DATE	DWN	APVD
		-		SEE SHEET 1	-	-	-

ACTIVE	3-1419153-5	PCFN-112D2M,000	12V	PCFN-112D2M	k
OBSELETE	1-1440008-8	PCFN-105D2M,000	5V	PCFN-105D2M	j
ACTIVE	1461193-9	PCFN-124D2M,000	24V	PCFN-124D2M	i
ACTIVE	1461193-8	PCFN-118D2M,000	18V	PCFN-118D2M	h
ACTIVE	1461193-7	PCFN-109D2M,000	9V	PCFN-109D2M	g
ACTIVE	1461193-6	PCFN-106D2M,000	6V	PCFN-106D2M	f
ACTIVE	1461193-5	PCFN-148D2M,000	48V	PCFN-148D2M	e
OBSELETE	1461193-4	PCFN-124D2M,000	24V	PCFN-124D2M	d
OBSELETE	1461193-3	PCFN-118D2M,000	18V	PCFN-118D2M	c
OBSELETE	1461193-2	PCFN-109D2M,000	9V	PCFN-109D2M	b
OBSELETE	1461193-1	PCFN-106D2M,000	6V	PCFN-106D2M	a
PN STATUS	PART NO	DESCRIPTION	PART B	PART A	ITEM

RELAY TYPE

- NOTE:
- Ⓑ 1. LOT NO SYSTEM AS FOLLOWING:  

  - Ⓑ 2. ONE CHARACTER DISTINGUISH THE LINE IDENTITY, SUCH AS: A, B...
  - Ⓑ 3. TERMINAL DIMENSION IS BEFORE SOLDER DIP.
  - Ⓑ 4. FOR THE TIN-PLATING OF THE PINS:  
 +0.1mm FOR WIDTH, THICKNESS AND DIAMETER.  
 +0.5mm FOR LENGTH.

		EPOXY RESIN	SEAL	17
		POLYURETHANE Cu WIRE	MAGNETIC WIRE	16
UL 94V-0		PPS	CARD	15
UL 94V-0		PBT	CASE	14
UL 94V-0		PBT	BASE	13
UL 94V-0		PBT	BOBBIN	12
	SOLDER DIP	Cu ALLOY	COIL TERMINAL R	11
	SOLDER DIP	Cu ALLOY	COIL TERMINAL L	10
		STAINLESS	HINGE SPRING	9
		Ag ALLOY	STATIONARY CONTACT	8
		Ag ALLOY	MOVABLE CONTACT	7
	SOLDER DIP	Cu ALLOY	MOVABLE SPRING	6
	SOLDER DIP	Cu ALLOY	STATIONARY TERMINAL	5
	SOLDER DIP	Cu ALLOY	MOVABLE TERMINAL	4
	Ni PLATED	STEEL	CORE	3
	Ni PLATED	STEEL	ARMATURE	2
	Ni PLATED	STEEL	YOKE	1
INCOMBUSTIBILITY	TREATMENT	MATERIAL	DESCRIPTION	ITEM

THIS DRAWING IS A CONTROLLED DOCUMENT.		DWN H.SASAKI	<b>STE</b> TE Connectivity														
		CHK Y.OIKAWA															
DIMENSIONS: mm		APVD A.NAGAI	NAME														
TOLERANCES UNLESS OTHERWISE SPECIFIED:		PRODUCT SPEC	PCFN-D2M SPEC,000														
<table border="0"> <tr><td>0 PLC</td><td>± -</td></tr> <tr><td>1 PLC</td><td>± -</td></tr> <tr><td>2 PLC</td><td>± -</td></tr> <tr><td>3 PLC</td><td>± -</td></tr> <tr><td>4 PLC</td><td>± -</td></tr> <tr><td>ANGLES</td><td>± -</td></tr> </table>		0 PLC	± -	1 PLC	± -	2 PLC	± -	3 PLC	± -	4 PLC	± -	ANGLES	± -	APPLICATION SPEC			
0 PLC	± -																
1 PLC	± -																
2 PLC	± -																
3 PLC	± -																
4 PLC	± -																
ANGLES	± -																
MATERIAL	FINISH	WEIGHT	SIZE	CAGE CODE	DRAWING NO	RESTRICTED TO											
		-	A3	00779	C-1461193	-											
CUSTOMER DRAWING			SCALE	SHEET	REV												
			3:1	2 OF 2	D												