



Three Phase Voltage Monitor

PBO-3P-T

Specifications

Electrical

Line Voltage: 208, 230, 380, 460 & 575VAC, 3Ø

Frequency: 45 to 65 Hz

Over/Under Voltage: ±15%

Phase Imbalance: Trip: 8%, Reset: 7%

Phase Rotation: A - B - C

Time Delays:

Trip Time: 5 seconds (1 Second @ ±20%, Single Phasing 3Ø line)

Re-Start: 5 Seconds on power up
30 Seconds after fault

Set-Up: Automatic on power up

LED:

- Good: Continuous Green
- Fault Rotation: Flashing Red (3Ø)
- Fault Voltage: Solid Red

3Ø VOLTAGES:

- 208VAC, 3Ø 1 Green Flashes
- 230VAC, 3Ø 2 Green Flashes
- 380VAC, 3Ø 3 Green Flashes
- 460VAC, 3Ø 4 Green Flashes
- 575VAC, 3Ø 5 Green Flashes

Power Consumption: 1VA

Output Rating @ 25°C:

10 Amps @ 120VAC

6 Amps @ 277VAC

1/8 HP @ 120/277VAC

5 Amps @ 20VDC

Physical

Mounting: Surface or DIN

Termination:

Line Side: 1/4" Push-On Tabs

Control Side: 0.187" Push-On Tabs

Packaging: Epoxy Fill

Weight: 5 Ounces

Ambient Temperatures

Operating: -40°C to 65°C

Storage: -40°C to 85°C



Voltage Ranges:

- 208 to 575VAC, 3Ø

Self-Powered

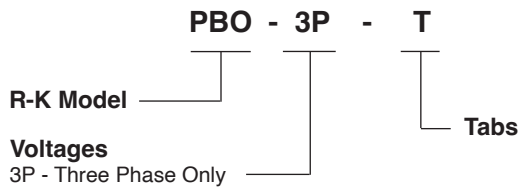
SPDT Relay Contacts

5 Built-In Voltage Selections

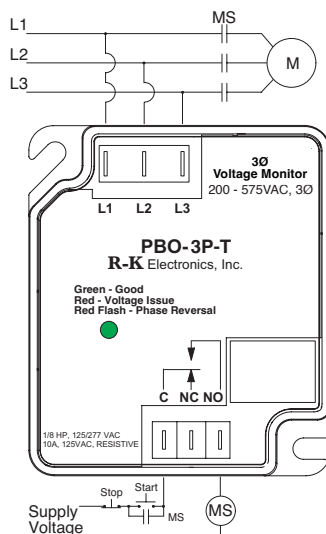
Monitors:

- Over & Under Voltage
- Phase Loss
- Phase Imbalance
- Phase Reversal

Ordering Information



Connections



Operation

The PBO-3P-T monitors 5 three phase voltages with the tolerances pre-programmed into the PBO.

Each time the PBO is powered up, the processor evaluates the line voltage and compares it to the pre-programmed line voltages and tolerances. If the line voltage matches one of the programmed voltages and is within the tolerances, the output relay will be energized and the LED will be green. The PBO will indicate what voltage it is set for by flashing the LED green in a sequence corresponding to the selected voltage.

If a voltage fault is detected, the LED will be red and if the phases are reversed, the LED will flash red.

Dimensions

