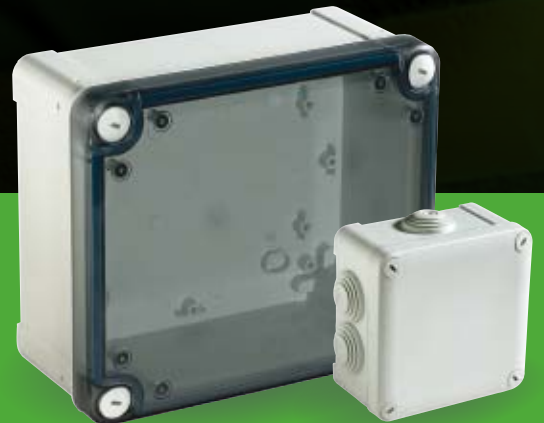




Mureva, Thalassa

Catalogue 03/2017

Surface mounted boxes for rough
and clamp environments



schneider-electric.com

Life Is On

Schneider
Electric



Green Premium™

Endorsing eco-friendly products in the industry



Green Premium™ Product

Green Premium is the only label that allows you to effectively develop and promote an environmental policy whilst preserving your business efficiency. This ecolabel guarantees compliance with up-to-date environmental regulations, but it does more than this.

Over 75% of Schneider Electric manufactured products have been awarded the Green Premium ecolabel

Schneider Electric's Green Premium ecolabel is committed to offering transparency, by disclosing extensive and reliable information related to the environmental impact of its products:

RoHS

Schneider Electric products are subject to RoHS requirements at a worldwide level, even for the many products that are not required to comply with the terms of the regulation. Compliance certificates are available for products that fulfil the criteria of this European initiative, which aims to eliminate hazardous substances.

REACH

Schneider Electric applies the strict REACH regulation on its products at a worldwide level, and discloses extensive information concerning the presence of SVHC (Substances of Very High Concern) in all of these products.

PEP: Product Environmental Profile

Schneider Electric publishes complete set of environmental data, including carbon footprint and energy consumption data for each of the lifecycle phases on all of its products, in compliance with the ISO 14025 PEP ecopassport program. PEP is especially useful for monitoring, controlling, saving energy, and/or reducing carbon emissions.

EoLI: End of Life Instructions

Available at the click of a button, these instructions provide:

- Recyclability rates for Schneider Electric products.
- Guidance to mitigate personnel hazards during the dismantling of products and before recycling operations.
- Parts identification for recycling or for selective treatment, to mitigate environmental hazards/ incompatibility with standard recycling processes.



Discover what we mean by green

Check your products!

Presentation	4
--------------------	---

A

Mureva boxes	11
Selection guide	12
Characteristics	14
Junction boxes - IP55	16
Accessories	19
Dimensions	23

B

Thalassa boxes	27
Selection guide	28
Characteristics	30
Junction boxes - IP66	31
Accessories	33
Dimensions	41

C

Properties of the plastic materials	45
Mechanical, electrical, physical and fire-resistance properties ...	45
Resistance to chemical agents	46

D

Index	48
--------------------	-----------

E

Mureva & Thalassa boxes: easy to choose, easy to install

A

Sometimes you need electricity where it is quite difficult to install it, like in wet or dusty places, or where electricity has not been planned at all.

The Mureva & Thalassa boxes satisfy any high safety requirement that the business might have, all surface mounted installations can be made irrespective of environment or safety needs. The boxes can be installed in residential, tertiary or industrial environments.

They are easy to install, they are stable, they are halogen-free and self extinguishing. You can equip them according to your specific needs or buy them as complete junction boxes. With Mureva & Thalassa at hand, no job will be too demanding!



Wide

choice of sizes and uses, wide range of accessories, Eco-designed,



► Wherever security and tightness are required



Safety
Class II
**double
isolation**



Watertightness
IP55 - IP66



Robustness
IK07 - IK08



Environment
"Eco-designed"

Check the Product Environmental Profile (PEP) on
www.schneider-electric.com

IP55/66 - for rough and damp environments

Every rough environment presents an obvious risk that electric installations become exposed to water or dust. The Mureva & Thalassa ranges of Schneider Electric offer a wide range of possibilities to provide safe installations in rough environments. The ease and fast time of installation bring to these ranges their most important advantage.



Where to install

All the environments, indoors as well as outdoors, exposed to water and dust like industry, farms, parking facilities home and professional laundries...



A

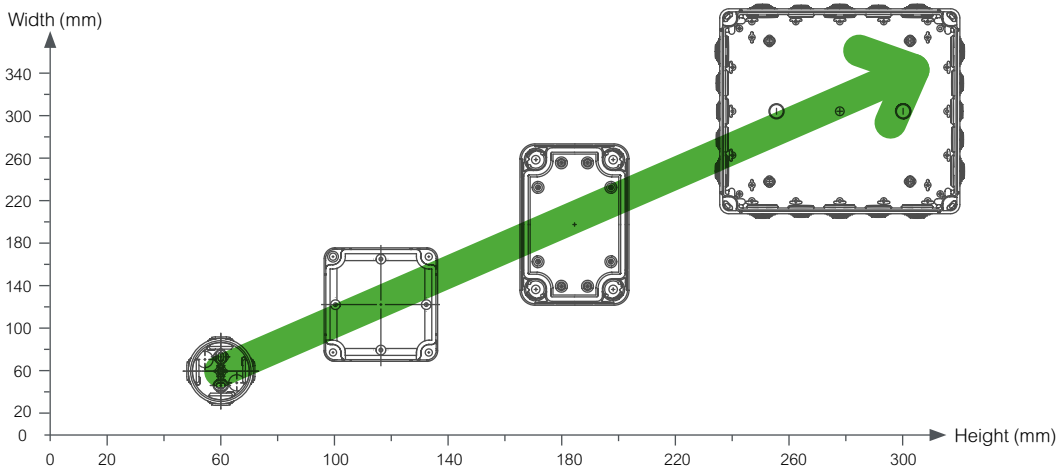


+ If you want to continue saving time in your installation you must use the Mureva GT conduits

All our Mureva GT conduits are equipped with longitudinal grooves which offer much less frictional resistance than conventional conduits. Studies have shown that the cable installation time can be reduced by up to **55%** and installation efforts by up to **60%**. Try it out – you can really feel the difference!

Mureva & Thalassa, easy to choose, easy to use

► There are inevitably a size that suits you



Mureva boxes: easy to choose, easy to Install

A

The Mureva range of surface-mounted boxes is wide and feature-rich. Specifically designed for components requiring sturdiness and watertightness, they are best installed in the tertiary and residential sectors.

The various ways in which they can be mounted and connected make them indispensable for exposed installations. Sealed entries, oblong holes, junction boxes (terminal blocks), reinforced fire-resistant models... a wide variety of possibilities and facilities await you.

These boxes are part of an even wider range of reinforced IP and IK wiring equipment: flush-mounted boxes, switches and power sockets, conduits, enclosures, etc.



Wide

choice of sizes and uses, wide range of accessories, Eco-designed,

► Your choice of dimensions



► Your choice of waterproof junction boxes



Boxes with grommets for direct entry



Boxes without entries



Boxes with knock-outs

► Specific applications



Security boxes 960°C



Boxes pre-equipped with terminal blocks



Safety
Glow wire test:
**650 to
960°C**



Safety
Class II:
**double
isolation**



Watertightness
IP55

IP55 protection – for rough and damp environments

Mureva boxes have been developed in a spirit of safety and respect for the planet. Halogen-free, they give off far fewer dangerous combustion gases. And by their very nature, they are less polluting.



Where to install

All the environments, indoors as well as outdoors, exposed to water and dust like Industry, farms, parking facilities ...



An easy installation



With a threaded plug



Oblong holes

Central stud

With a standard screw + plug



With a gas or powder nailer.



Outside the waterproof space

- Through the chimneys
- Using fixing lugs.

Exclusive



Two universal fixings:

- for mesh trays
- for cable trays and IPN profiles.

An easy cable entry



System of grommets with direct entry

- Conduits entry after removing a step
- Direct cable entry by pushing.

An easy closing



1/4-turn screws



- Captive screws
- Closing visually identifiable, the arrow of the screw pointing towards the center of the box.

Clipped cover



- Waterproofness assured by the double lips
- Tool necessary to open the box.



Check the Product Environmental Profile (PEP) on www.schneider-electric.com

Thalassa boxes: robustness and safety

A

Thalassa boxes are the answer to the continuous evolution of the industry. They have been designed to withstand the toughest environmental conditions. Its rounded shape avoids any kind of water and dust accumulation. They are easy to install and machine. The Thalassa boxes meet all the international certifications according to IEC62208 standard. Class II: double insulation. Insulating material, self extinguishing and halogen free.

- ABS & polycarbonate versions.
- Faces lines (without grommets).

► This range can be configured according to your needs

Machining

- Make square and circle cut-outs before painting the enclosure (body, cable gland plate, sides) and mounting plates

+ Ensures safety and the best protection against rust

+ The enclosure is ready to be equipped

Mounting of standard accessories

- Pre-installation of accessories inside or out-side of the enclosure (ex.: mounting plate, plinth, canopy, etc.)

+ Enclosure ready to be equipped

Painting

- Change the colour of the complete enclosure (choice of 36 colours)
- Modify the coating of the raw material (ex.: zinc, etc.)

+ Industrial painting ensures the best protection

+ Totally customized

Packaging

- Just ask how many Thalassa products you want in each chipping box

► Insulating industrial boxes



- ABS for conventional applications (IK07) with the usual constraints,
- polycarbonate for enhanced impact resistance (IK08) and for outdoor applications or applications directly exposed to UV,
- polycarbonate certified UL.

► Smart



- Fixing studs on the cover.
- specific: transparent cover.



Watertightness – IP66 for all ranges



Thalassa is not only specifically designed for industrial use and for aggressive tertiary environments. This range will find a prominent place in the residential sector: cellars, garages, workshops, utility rooms, boiler rooms... Its reinforced IP and IK products make it ideal for use in places where a high degree of safety, sturdiness and watertightness is required.

◀ Your choice of dimensions



◀ An easy installation



3 methods of fixing the box to its support.

◀ Easy to use



Only one tool is required: a flat screwdriver.

◀ Main application

Electrical distribution

Receive and protect electrical & electronic components and control devices

Junctions

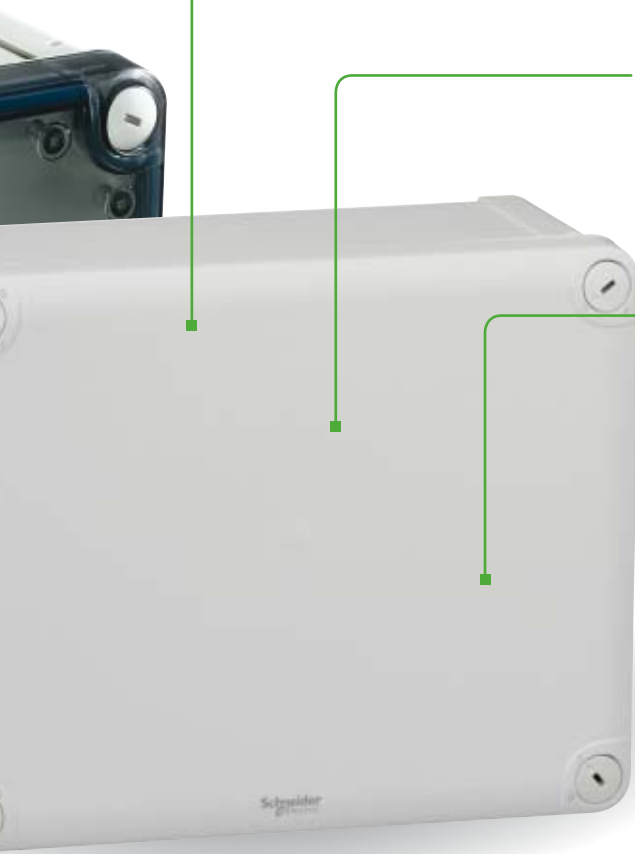
Electronics

Universal

Dedicated applications

Shunting

Industrial automatism



- Anti-condensation valves available as an accessory, prevent the build-up of moisture inside the box.



Watertightness
IP66



Robustness
IK07 - IK08

The Mureva range, a complete waterproof system

A

A well-thought-out system

All these components are created to work together and save you time when designing and installing your facility. Their sturdiness, water resistance and quality make them suitable for installation in harsh environments (dust, humidity, high-traffic areas, etc.). Without compromising on their stylish appearance.

Mureva Box ▶



A large selection of boxes wherever security and tightness are required



Mureva Fix ▶



Designed to ensure a timeproof quality and security in the fixation

Mureva Tube ▶



Designed to be bent without breaking, to ensure a perfectly aligned channel

◀ Mureva Styl



Designed to be installed effortlessly, thanks to its intuitive and intelligent fitting design

Mureva boxes	B-12
Selection guide	B-12
Characteristics	B-14
Junction boxes - IP55	B-16
Accessories	B-19
Dimensions	B-23



Boxes with knock-outs IP55 - IK07

E101246d



AC_01366



Overall external dimensions			Overall internal dimensions			Number of knock-outs					Standard	For security circuits
(mm)			(mm)			(Ø min. - max.)					Grey RAL 7035	Red RAL 3000
Height	Width	Depth	Height	Width	Depth	12/16	16/20	20/25	25/32	32/40	650°C	960°C
Cover clipped-on												
74	74	52	65	65	45	-	4	-	-	-	ENN05082	-
89	89	52	80	80	45	-	4	-	-	-	ENN05084	ENN05174
116	74	62	105	65	55	-	6	-	-	-	ENN05083	-

B

E101246d



AC_01366



Overall external dimensions			Overall internal dimensions			Number of knock-outs					Standard	For security circuits
(mm)			(mm)			(Ø min. - max.)					Grey RAL 7035	Red RAL 3000
Height	Width	Depth	Height	Width	Depth	12/16	16/20	20/25	25/32	32/40	750°C	960°C
Cover quarter-turn screws												
115	115	62	105	105	55	-	7	-	-	-	ENN05085	ENN05175
164	121	87	150	105	80	8	4	2	-	-	ENN05087	ENN05177
193	164	88	175	150	80	8	-	4	4	-	ENN05090	-
241	194	108	225	175	100	-	-	6	-	6	ENN05093	-
292	242	128	275	225	120	-	-	16	-	8	ENN05097	-
342	292	129	325	275	120	-	-	24	-	8	ENN05099	-

Boxes without entries IP55 - IK07

E101242a



Overall external dimensions			Overall internal dimensions			Standard	
(mm)			(mm)			Grey RAL 7035	White RAL 9003
Height	Width	Depth	Height	Width	Depth	650°C	
Cover clipped-on							
89	89	52	80	80	45	ENN05044	IMT05064

GV9E0019



Overall external dimensions			Overall internal dimensions			Standard	
(mm)			(mm)			Grey RAL 7035	White RAL 9003
Height	Width	Depth	Height	Width	Depth	750°C	
Cover quarter-turn screws							
115	115	62	105	105	55	ENN05045	IMT05065
164	121	87	150	105	80	ENN05047	-
193	164	88	175	150	80	ENN05050	-
241	194	108	225	175	100	ENN05053	-
292	242	128	275	225	120	ENN05057	-
342	292	129	325	275	120	ENN05059	-

Boxes with grommets IP55 - IK07

P122337



PB500090



PB0890



Overall external dimensions			Overall internal dimensions			Number of grommets				Standard		With terminal blocks	For security circuits	
(mm)			(mm)			(Ø min. - max.)				Grey RAL 7035	White RAL 9003	Grey RAL 7035	Red RAL 3000	Grey RAL 7035
Height	Width	Depth	Height	Width	Depth	4/20	4/25	4/32	4/40	650°C		650°C	960°C	

Cover clipped-on

Ø	72	50	Ø	60	40	4	-	-	-	ENN05001	IMT05021	-	-	-
82	82	52	65	65	45	4	-	-	-	ENN05002	IMT05022	-	-	-
						7	-	-	-	ENN05032	IMT05072	-	-	-
97	97	52	80	80	45	7	-	-	-	ENN05004	IMT05024	ENN05204	ENN05164	ENN05264
124	82	62	105	65	55	8	-	-	-	ENN05003	IMT05023	-	-	-



PB500091-32



AC_01335



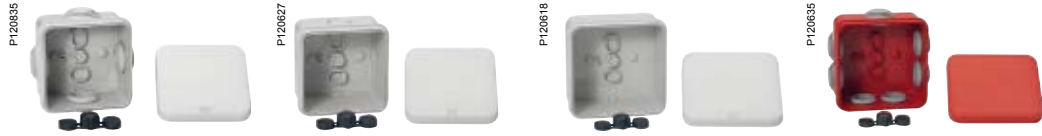
Overall external dimensions			Overall internal dimensions			Number of grommets				Standard		With terminal blocks	For security circuits	
(mm)			(mm)			(Ø min. - max.)				Grey RAL 7035	White RAL 9003	Grey RAL 7035	Red RAL 3000	Grey RAL 7035
Height	Width	Depth	Height	Width	Depth	4/20	4/25	4/32	4/40	750°C		750°C	960°C	

Cover quarter-turn screws

128	128	62	105	105	55	-	7	-	-	ENN05005	IMT05025	ENN05205	ENN05165	ENN05265
172	129	87	150	105	80	-	10	-	-	ENN05007	-	-	ENN05167	ENN05267
200	176	88	175	150	80	-	10	2	-	ENN05010	-	-	-	-
251	204	108	225	175	100	-	4	8	-	ENN05013	-	-	-	-
302	255	128	275	225	120	-	-	16	4	ENN05017	-	-	-	-
355	305	129	325	275	120	-	-	10	10	ENN05019	-	-	-	-

Mureva boxes

Characteristics



B

Characteristics	Boxes with grommets	Boxes with knock-outs	Boxes without entries	Boxes security circuits
	<p>The Mureva BOX range of junction boxes is available in ten sizes, varying from the small round Ø 60 x 40 mm to the spacy rectangular 325 x 275 x 120 mm</p> <ul style="list-style-type: none"> ■ The boxes come in one of three entry versions: <ul style="list-style-type: none"> □ with grommets □ with knock-outs □ without entries (solid faces) ■ Versions with extended temperature resistance (glow wire test 960°C) are available ■ All boxes in sizes up to 105 x 65 x 55 mm have clipped-on covers, while bigger ones use four quarter-turn screws ■ All boxes are packed in plastic film, enabling fast recognition of the product ■ Small boxes (up to size 105 x 105 x 55 mm) are packed in fives, whereas large boxes are packed by the piece ■ The products respect environmental needs, which is assured by halogen-free plastic materials (except slightly halogenated red boxes) and the use of eco-design rules (product environmental profile) 			
Material, box and cover	<ul style="list-style-type: none"> ■ The junction boxes with grommets are available in all ten sizes ■ The grommet diameters are 20, 25, 32 or 40 mm, depending on the box 	<ul style="list-style-type: none"> ■ The junction boxes with knock-outs are available in nine sizes (no small round box) with ISO diameters from M12 up to M40, depending on the box <ul style="list-style-type: none"> ■ Metric knock-outs usually have two consecutive ISO sizes in each location, e.g. ISO 16/20 or ISO 20/25, etc ■ The exception is for small boxes (up to 80 x 80 x 45 mm), which only have a single knock-out ISO 20 in each location 	<ul style="list-style-type: none"> ■ The junction boxes with solid walls are available in seven sizes (from 80 x 80 x 45 mm to 325 x 275 x 120 mm) 	<ul style="list-style-type: none"> ■ The junction boxes for security circuits are available in three sizes (80 x 80 x 45 mm, 105 x 105 x 55 and 150 x 105 x 80 mm) with two entry versions: <ul style="list-style-type: none"> ■ with grommets: the grommet diameters are 20 or 25 mm, depending on the box ■ with knock-outs: the knock-out diameters are M12, M16, M20 or M25, depending on the box. Metric knock-outs have two consecutive ISO sizes in each location, i.e. ISO 12/16, 16/20 and 20/25
	<p>Boxes ≤ 105 x 105</p> <ul style="list-style-type: none"> ■ Halogen-free ■ Insulating material: <ul style="list-style-type: none"> □ body made of ABS □ cover made of PP <p>Large boxes</p> <ul style="list-style-type: none"> ■ Halogen-free ■ Insulating material: body and cover made of PP <p>Red boxes</p> <ul style="list-style-type: none"> ■ Slightly halogenated ■ Insulating material: body and cover made of PP (960°C glow wire test) <p>Operating temperature</p> <ul style="list-style-type: none"> ■ - 25°C...+ 40°C <p>Flame resistance</p> <ul style="list-style-type: none"> ■ 650°C for boxes < 105 x 105 mm ■ 750°C for boxes ≥ 105 x 105 mm ■ 960°C for red and grey boxes 			
Colour	<ul style="list-style-type: none"> ■ Standard grey series: grey RAL 7035 ■ Standard white series: white RAL 9003 ■ Red series: red RAL 3000 			
Ingress protection rating	<p>IP55 to standard IEC 60529 Class II to IEC 536 assured by protection caps (supplied) and fixing screws</p>			
Mechanical protection rating	<p>IK07 (2J) according to EN50102</p>			
Standards	<p>Conforming to standard EN 60670</p>			
Certifications	<p>CE</p>			
Installation	<p>Fixing the box</p> <ul style="list-style-type: none"> ■ Boxes up to 105 x 105: <ul style="list-style-type: none"> □ single fixing central point (e.g. using powder nailer) □ through box bottom, using two oblong knock-out holes (also by using gas nailer) ■ Large boxes: <ul style="list-style-type: none"> □ outside usable volume, using four chimneys at box corners □ through box bottom, using two or four (depending on size) oblong knock-out holes 			
Benefits	<ul style="list-style-type: none"> ■ Wide choice: <ul style="list-style-type: none"> □ wide dimensional range with 10 sizes □ three types of entries (walls) to suit all installation methods □ boxes for specific applications (security circuits, pre-equipped with terminals) ■ Safety: IP range also assured by gaskets and protection caps (supplied) ■ Ease of installation: <ul style="list-style-type: none"> □ quick cover closing, either by clipping-in (small boxes) or by captive quarter-turn screws assuring IP55 protection □ captive cover, with a link between body and cover, facilitating installation □ the four "feet" of the cover of boxes 105 x 105 x 55 and larger ensure rigidity and perfect stability during machining operations (e.g. customisation) □ several solutions for box fixing: <ul style="list-style-type: none"> - central point (small boxes) - oblong holes - chimneys outside the IP zone (large boxes) 			
Product Environmental Profile	<p>Product Environmental Profile documents are available on www.schneider-electric.com</p>			

Mureva boxes

Characteristics

P1100907



P600928



P600939



P1200939



P600954



Characteristics	For fixing	For cable entry	For protection	For coupling	For cabling
	Universal fixing for metal beams and cable trays	<ul style="list-style-type: none"> ■ Flexible entries (grommets with diameters 20 - 40 mm) ■ Cable glands and gaskets ■ Multi-cable discs 	Various plugs for transport and ventilation	<ul style="list-style-type: none"> ■ Coupling kit to connect two boxes 	<ul style="list-style-type: none"> ■ Terminals ■ Support bars and mounting plate for terminal blocks

References*

* For details, type reference in the search engine of www.schneider-electric.com



Mureva boxes

Junction boxes - IP55

650°C, 750°C

Junction boxes with grommets

Dimensions H x L x W (mm)	Type	Colour	Reference	Qty per package
------------------------------	------	--------	-----------	-----------------

Junction box with clipped-on cover

Surface mounted junction box with grommets and clipped-on cover. Degree of protection IP55, mechanical protection IK07, flame resistance 650°C.
Material: ABS (body), PP (cover).

Ø 60 x 40	4 grommets Ø 20	Grey RAL 7035	ENN05001	5
		White RAL 9003	IMT05021	
65 x 65 x 45	4 grommets Ø 20	Grey RAL 7035	ENN05002	5
65 x 65 x 45	7 grommets Ø 20	White RAL 9003	IMT05022	
		Grey RAL 7035	ENN05032	5
80 x 80 x 45	7 grommets Ø 20	White RAL 9003	IMT05072	
		Grey RAL 7035	ENN05004	5
80 x 80 x 45	7 grommets Ø 20 and terminal blocks	White RAL 9003	IMT05024	
		Grey RAL 7035	ENN05204	5
105 x 65 x 55	8 grommets Ø 20	Grey RAL 7035	ENN05003	
		White RAL 9003	IMT05023	

Junction box with screw-fixed cover

Surface mounted junction box with grommets and quarter-turn screw-fixed cover. Degree of protection IP55, mechanical protection IK07, flame resistance 750°C.
Material: PP.

105 x 105 x 55	7 grommets Ø 25	Grey RAL 7035	ENN05005	5
		White RAL 9003	IMT05025	
105 x 105 x 55	7 grommets Ø 25 and terminal blocks	Grey RAL 7035	ENN05205	5
150 x 105 x 80	10 grommets Ø 25	Grey RAL 7035	ENN05007	1
175 x 150 x 80	10 grommets Ø 25 and 2 grommets Ø 32	Grey RAL 7035	ENN05010	1
		Grey RAL 7035	ENN05013	
225 x 175 x 100	4 grommets Ø 25 and 8 grommets Ø 32	Grey RAL 7035	ENN05013	1
275 x 225 x 120	16 grommets Ø 32 and 4 grommets Ø 40	Grey RAL 7035	ENN05017	1
325 x 275 x 120	10 grommets Ø 32 and 10 grommets Ø 40	Grey RAL 7035	ENN05019	1

B

Mureva boxes

Junction boxes - IP55

650°C

Junction boxes with knock-outs

	Dimensions H x L x W (mm)	Type	Colour	Reference	Qty per package
Junction box with clipped-on cover					
P120627	Surface mounted junction box with metric knock-outs and clipped-on cover. Degree of protection IP55, mechanical protection IK07, flame resistance 650°C. Material: ABS (body), PP (cover).				
	65 x 65 x 45	4 knock-outs M16/20	Grey RAL 7035	ENN05082	5
	80 x 80 x 45	4 knock-outs M16/20	Grey RAL 7035	ENN05084	5
	105 x 65 x 55	6 knock-outs M16/20	Grey RAL 7035	ENN05083	5
Junction box with screw-fixed cover					
P120613	Surface mounted junction box with metric knock-outs and quarter-turn screw-fixed cover. Degree of protection IP55, mechanical protection IK07, flame resistance 750°C. Material: PP.				
	105 x 105 x 55	7 knock-outs M16/20	Grey RAL 7035	ENN05085	5
P120638	150 x 105 x 80	8 knock-outs M12/16, 4 x M16/20 and 2 x M20/25	Grey RAL 7035	ENN05087	1
	175 x 150 x 80	8 knock-outs M12/16, 4 x M20/25 and 4 x M25/32	Grey RAL 7035	ENN05090	1
	225 x 175 x 100	6 knock-outs M20/25 and 6 x M32/40	Grey RAL 7035	ENN05093	1
	275 x 225 x 120	16 knock-outs M20/25 and 8 x M32/40	Grey RAL 7035	ENN05097	1
	325 x 275 x 120	24 knock-outs M20/25 and 8 x M32/40	Grey RAL 7035	ENN05099	1

Junction boxes without entries

	Dimensions H x L x W (mm)	Type	Colour	Reference	Qty per package
Junction box with clipped-on cover					
P120618	Surface mounted junction box with solid walls and clipped-on cover, without entries. Degree of protection IP55, mechanical protection IK07, flame resistance 650°C. Material: ABS (body), PP (cover).				
	80 x 80 x 45	Junction box without entries	Grey RAL 7035 White RAL 9003	ENN05044 IMT05064	5 5
Junction box with screw-fixed cover					
P120611	Surface mounted junction box with solid walls and quarter-turn screw-fixed cover, without entries. Degree of protection IP55, mechanical protection IK07, flame resistance 750°C. Material: PP.				
	105 x 105 x 55	Junction box without entries	Grey RAL 7035 White RAL 9003	ENN05045 IMT05065	5 5
	150 x 105 x 80	Junction box without entries	Grey RAL 7035	ENN05047	1
	175 x 150 x 80	Junction box without entries	Grey RAL 7035	ENN05050	1
	225 x 175 x 100	Junction box without entries	Grey RAL 7035	ENN05053	1
	275 x 225 x 120	Junction box without entries	Grey RAL 7035	ENN05057	1
	325 x 275 x 120	Junction box without entries	Grey RAL 7035	ENN05059	1





Mureva boxes



Junction boxes - IP55

960°C

Security boxes with grommets







	Dimensions H x L x W (mm)	Type	Colour	Reference	Qty per package
	Junction box for security circuits, with clipped-on cover				
	Surface mounted junction box for security circuits, with grommets and clipped-on cover. Internal dimensions, see below. Degree of protection IP55, mechanical protection IK07, flame resistance 960°C. Material: PP.				
	80 x 80 x 45	7 grommets Ø 20 mm	Red RAL 3000 Grey RAL 7035	ENN05164 ENN05264	5
	Junction box for security circuits, with screw-fixed cover				
	Surface mounted junction box for security circuits, with grommets and quarter-turn screw-fixed cover. Degree of protection IP55, mechanical protection IK07, flame resistance 960°C. Material: PP.				
	105 x 105 x 55	7 grommets Ø 25 mm	Red RAL 3000 Grey RAL 7035	ENN05165 ENN05265	5
	150 x 105 x 80	10 grommets Ø 25 mm	Red RAL 3000 Grey RAL 7035	ENN05167 ENN05267	1

Security boxes with knock-outs

	Junction box for security circuits, with clipped-on cover				
	Surface mounted junction box for security circuits, with metric knock-outs and clipped-on cover. Degree of protection IP55, mechanical protection IK07, flame resistance 960°C. Material: PP.				
	80 x 80 x 45	4 knock-outs M16/20	Red RAL 3000	ENN05174	5
	Junction box for security circuits, with screw-fixed cover				
	Surface mounted junction box for security circuits, with metric knock-outs and quarter-turn screw-fixed cover. Internal dimensions 105 x 80 x 150 mm. Degree of protection IP55, mechanical protection IK07, flame resistance 960°C. Material: PP.				
	105 x 105 x 55	7 knock-outs M16/20	Red RAL 3000	ENN05175	5
	150 x 105 x 80	8 knock-outs M12/16, 4 x M16/20 and 2 x M20/25	Red RAL 3000	ENN05177	1

B

Accessories for cable entries with strain relief

	ISO diameter	Diameter of cable/ conduit (mm)	No of diameters	Colour	Reference	Qty per package	
 P100928	Cable glands acc. to ISO standard						
	Cable gland equipped with nut and neoprene seal for one cable. May be used both for threaded and unthreaded holes. The IP68 classification assures complete protection. The temperature range is between -30° and +80°C permanently and up to +150°C intermittently. Material: PA6.						
	M12	Ø 3 / 6.5		Grey	ISM71501	20	
	M16	Ø 4 / 8		Grey	ISM71502	20	
	M20	Ø 6 / 12		Grey	ISM71503	20	
	M25	Ø 11 / 17		Grey	ISM71504	10	
	M32	Ø 15 / 21		Grey	ISM71505	10	
	M40	Ø 19 / 28		Grey	ISM71506	5	
 P100905	Security cable gland						
	Security cable gland equipped with nut and seal for one cable, specially adapted to red boxes for safety circuits. May be used in both threaded and unthreaded holes. The IP68 and choice of plastic material ensures complete protection even in hot environments. Incandescent wire tested at 960°C. Material: PA6.						
	M20	Ø 6 / 12		Red RAL 3000	IMT36150	20	
 P100908	Gasket						
	Gasket for cable gland. To be used to ensure a tight fit and complete protection IP68 when mounting cable glands on rough surfaces. Material: EPDM rubber.						
	M12			Black	IMT36151	100	
	M16			Black	IMT36152	100	
	M20			Black	IMT36153	100	
	M25			Black	IMT36154	50	
	M32			Black	IMT36155	50	
	M40			Black	IMT36156	25	
 P80958	Multi-cable discs						
	Multi-cable disc for cable glands. To be used for a secure fitting of multiple cables or wires through the same cable gland. Material: EPDM rubber						
	M16		2 x Ø 4	Black	IMT36157	40	
	M20		3 x Ø 4	Black	IMT36158	40	
	M25		4 x Ø 5	Black	IMT36159	20	
	M32		6 x Ø 5	Black	IMT36160	20	
 P80959	Transport plugs						
	Transport plug for cable gland. To be used to seal a cable gland during transport, or when pre-assembling a cable gland for later use. Material: PA6.						
	M16			Black	IMT36167	40	
	M20			Black	IMT36168	40	
	M25			Black	IMT36169	20	
	M32			Black	IMT36170	20	
	M40			Black	IMT36171	10	
 P100909	Blanking plugs						
	Blanking plug including lock nut. To be used to seal openings in the box during transport, or as a protection for holes intended for later installations. Material: PA6.						
	M12			Grey	IMT36161	40	
	M16			Grey	IMT36162	40	
	M20			Grey	IMT36163	40	
	M25			Grey	IMT36164	20	
	M32			Grey	IMT36165	20	
		M40			Grey	IMT36166	10

Accessories for cable entries without strain relief

ISO diameter	Diameter of cable / conduit (mm)	Diameter of drilling (mm)	Colour	Reference	Qty per package
Grommets					
Flexible grommet suitable for unthreaded holes. For fast installation by using either EVA (easy valve access) membrane entry, i.e. direct entry of rigid cables 4-14 mm ² , or stepped entry, by removing a step of the desired diameter for cables or conduits from 14 mm ² to 20, 25, 32 and 40 mm ² respectively. Degree of protection IP55. Usage temperature: -25°C...+40°C. Material: SBS					
P120649 P120645 P120647	4-20	Ø 23	Grey RAL 7035	ISM71071	10
			White RAL 9003	IMT36130	10
			Dark grey RAL 7004	ENN08131	10
P120647	4-25	Ø 29	Grey RAL 7035	ISM71072	10
			White RAL 9003	IMT36131	10
			Dark grey RAL 7004	ENN08132	10
P60848	4-32	Ø 36	Grey RAL 7035	ISM71073	10
	4-40	Ø 44	Grey RAL 7035	ISM71074	10
TET grommets					
Grommet suitable for holes with metric thread and various diameters. IP67 Material: EPDM					
M12	Ø 3 / 5	Ø 12 - 13	Grey	IMT36179	50
M16	Ø 5 / 7	Ø 16 - 17	Grey	IMT36180	50
M20	Ø 7 / 10	Ø 20 - 21	Grey	IMT36181	50
M25	Ø 10 / 14	Ø 25 - 26	Grey	IMT36182	50
M32	Ø 14 / 20	Ø 32 - 33	Grey	IMT36183	50
M40	Ø 20 / 26	Ø 40 - 41	Grey	IMT36184	25
M50	Ø 26 / 35	Ø 50 - 51	Grey	IMT36185	25





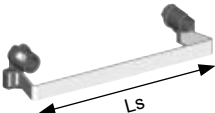
Accessories for coupling

Type	For boxes (mm)	For trunking (mm)	Color	Reference	Qty per package
Coupling kit					
Coupling M32 to be used to connect two boxes (from 105 x 105 mm) with M32 knock-outs. Enables side-by-side mounting of boxes without reduction of the IP classification Material: Polystyrene					
Coupling	From 175 x 150 x 80		Grey	13934	2

Accessories for fixing

Universal fixing for IPN profiles and cable trays					
Universal fixing intended for the fixing of < 105 x 105 mm (internal dimension) junction boxes on IPN profiles from 2 to 12 mm and all types of cable trays Material: Steel					
Universal fixing			Grey	ENN08167	10
Universal fixing for mesh trays					
Universal fixing intended for the fixing of < 105 x 105 mm (internal dimension) junction boxes on all types of mesh trays Material: PA6 with 30% glass-fibre					
Universal fixing			Grey	ENN08162	10
Fixing lugs					
Fixing lugs intended for mounting of < 105 x 105 mm junction boxes. Fixing is made outside the waterproof space Material:					
Fixing lugs				NSYAEFTB	4

Accessories for cabling

Type	Colour	Reference	Qty per package
Mounting plate			
Mounting plate for terminal blocks 2.5 mm ² and 6 mm ² in boxes 80 x 80 mm and 105 x 105 mm (internal dimensions). The plate enables mounting of eight 2.5 mm ² blocks or two 6 mm ² blocks or a combination of both. Material: PC.			
 Mounting plate	Anthracite RAL 7016	ENN08241	10
Terminal blocks			
6-pole push-in terminal block approved for max. 85°C. Max cable area 6 x 2.5 mm ² . Material: PA.			
 Spring terminal 6 x 2.5 mm ²	White	WDE0000010	100
3-pole screw-type terminal block. 440 V. Material: PA.			
 Screw terminal 3 x 6 mm ²	Black	IMT36089	20
Earth terminal marked with an earth sign for easy recognition during maintenance operations. Material: CuZn37-R350/H095.			
Earth terminal	Red	IMT34009	10
4-hole terminal blocks			
4-holes terminal block to be used together with support bar. Boxes from 175 x 150 mm (internal dimension) accept mounting of a 12 x 2 mm bar that can be used for easy clip-on of up to 8 terminal blocks (depending on sizes of bars and terminal blocks, see selection guide below). Material: Brass bars in a plastic housing.			
 Phase, 2 x 10 mm ² + 2 x 16 mm ²	Red	IMT34003	10
 Neutral, 2 x 10 mm ² + 2 x 16 mm ²	Blue	IMT34005	5
Terminal block like the above but supplied including a separate yellow sticker with the earth symbol. When required, the symbol can be stuck to the cover of the terminal block			
 Earth, 2 x 10 mm ² + 2 x 16 mm ²	Green	IMT34007	5
Support bar			
12 x 2 mm support bar for 4-holes terminal blocks. For easy clip-on up to 8 terminal blocks (depending on sizes of bars and terminal blocks, see selection guide below), which frees considerable space for introduction of cables. Including plastic feet and screws. Material: Galvanised steel bar on plastic feet.			
 Support bar Ls = 140 mm	-	IMT34000	1
Support bar Ls = 185 mm	-	IMT34001	1
Support bar Ls = 235 mm	-	IMT34002	1

Selection guide

Number of terminal blocks per support bar

	Terminal block 2 x 10 mm ² + 2 x 16 mm ²	For boxes (mm)
Support bar 140 mm (ref. IMT34000)	4	175 x 150
	-	225 x 175
Support bar 185 mm (ref. IMT34001)	6	225 x 175
	-	275 x 225
	3	
Support bar 235 mm (ref. IMT34002)	8	275 x 225
	-	325 x 275
	3	
	4	



Accessories for cabling

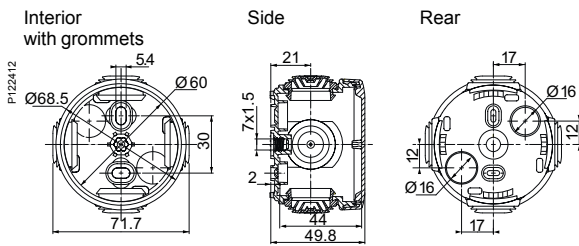
	Rail length (mm)	For boxes height (mm)	Reference for rail type	
			15 x 5 mm	35 x 7.5 mm
	97	105	NSYAMRD11155TB	NSYAMRD11357TB
	140	150	NSYAMRD16155TB	NSYAMRD16357TB
	168	175	NSYAMRD19155TB	NSYAMRD19357TB
	214	225	NSYAMRD24155TB	NSYAMRD24357TB
	264	275	NSYAMRD29155TB	NSYAMRD29357TB
	316	325	NSYAMRD34155TB	NSYAMRD34357TB

Accessories for marking

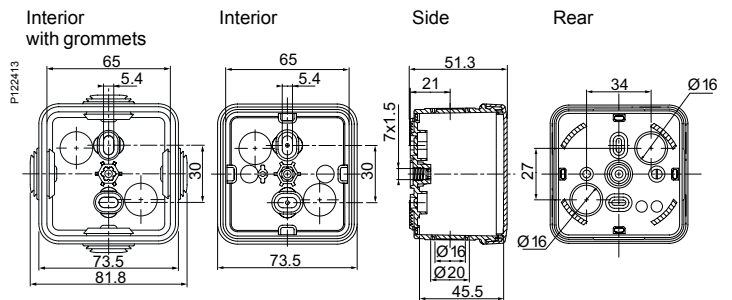
	Color	Reference	Qty per package
Marking tools			
Identification sticker in red colour for marking of 960°C safety junction boxes Material: Paper			
Safety stickers Pilote		ENN02290	10
Permanent marker pen for marking on boxes or stickers Material: Plastic			
Permanent marker pen, blue		ENN08276	10
Sheet with 60 labels, 70 x 70 mm, for marking of boxes Material: Paper			
Label sheet	White	ENN08271	1

B

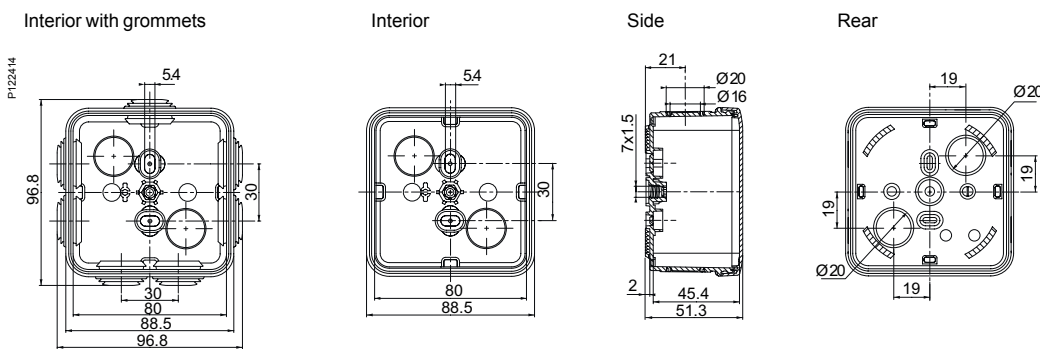
Box of Ø 60 x 40 mm



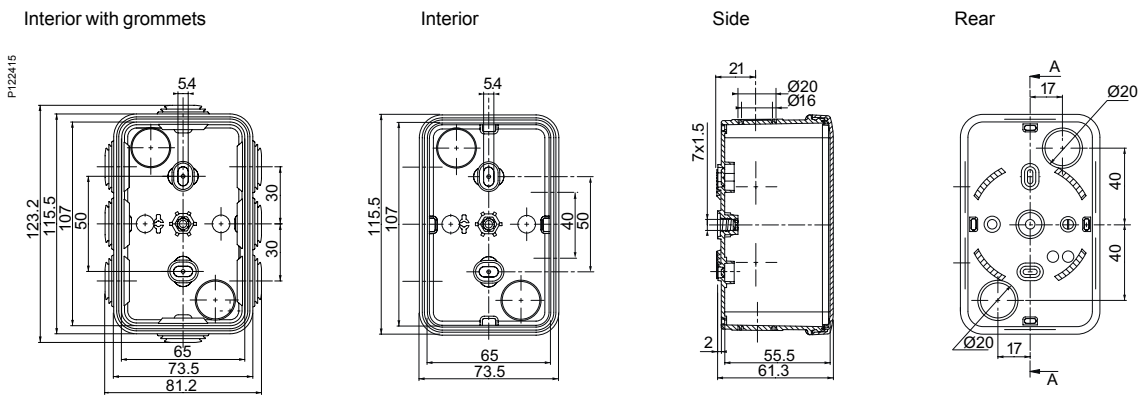
Box of 65 x 65 x 45 mm



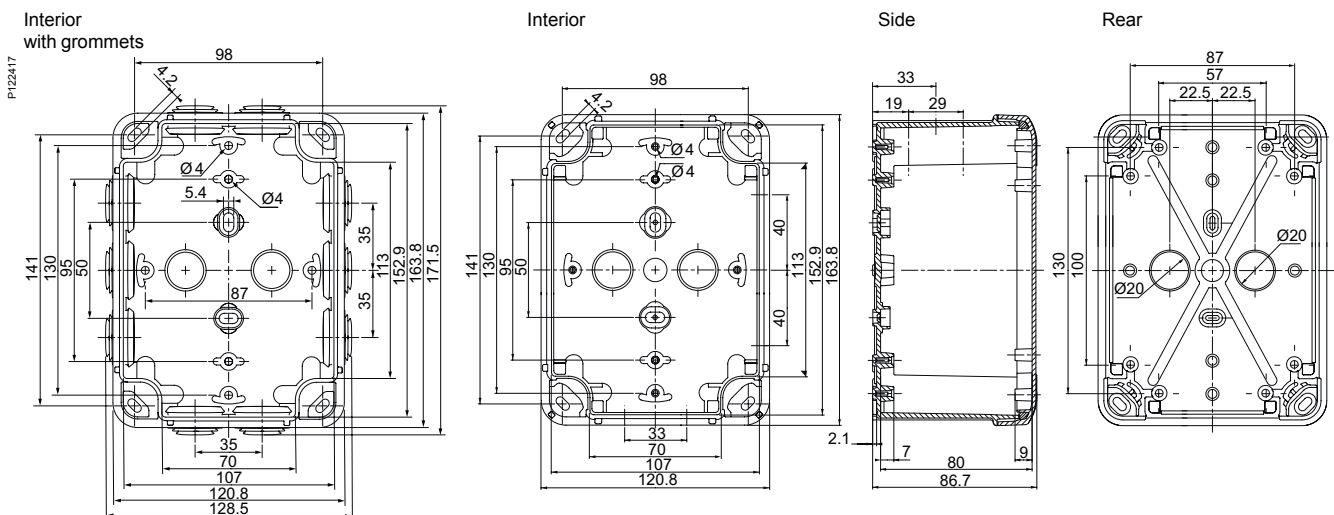
Boîtes 80 x 80 x 45 mm



Boîtes 105 x 65 x 55 mm



Boîtes 150 x 105 x 80 mm



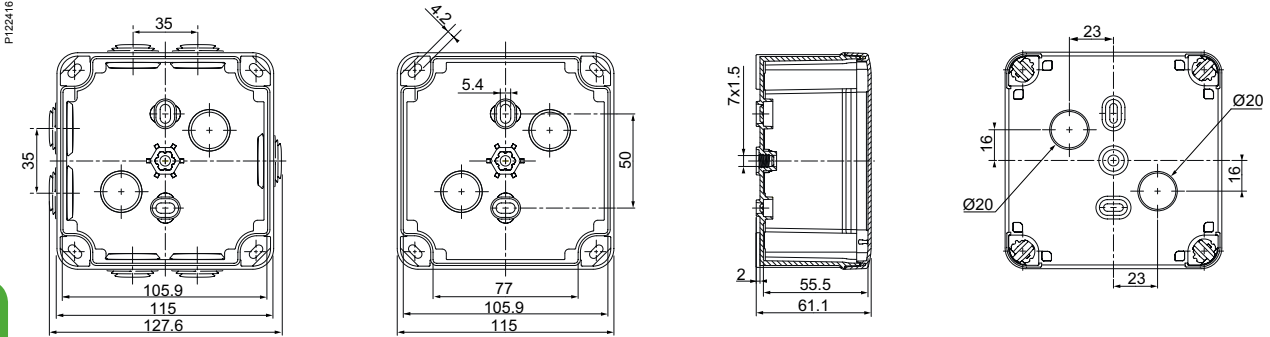
Boîtes 105 x 105 x 55 mm

Interior with grommets

Interior

Side

Rear



B

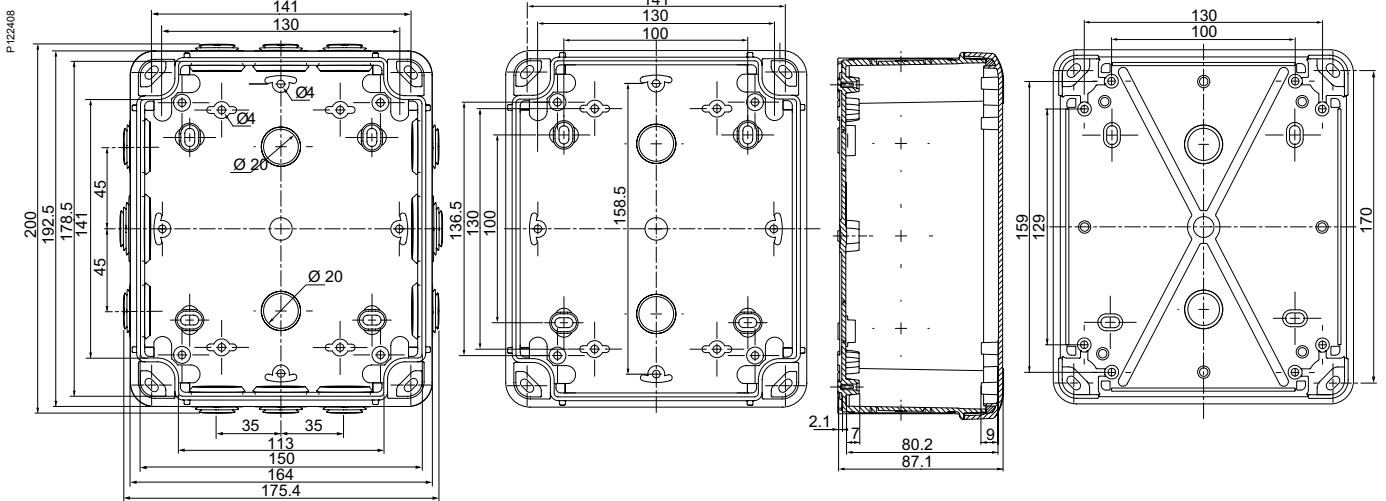
Boîtes 175 x 150 x 80 mm

Interior with grommets

Interior

Side

Rear



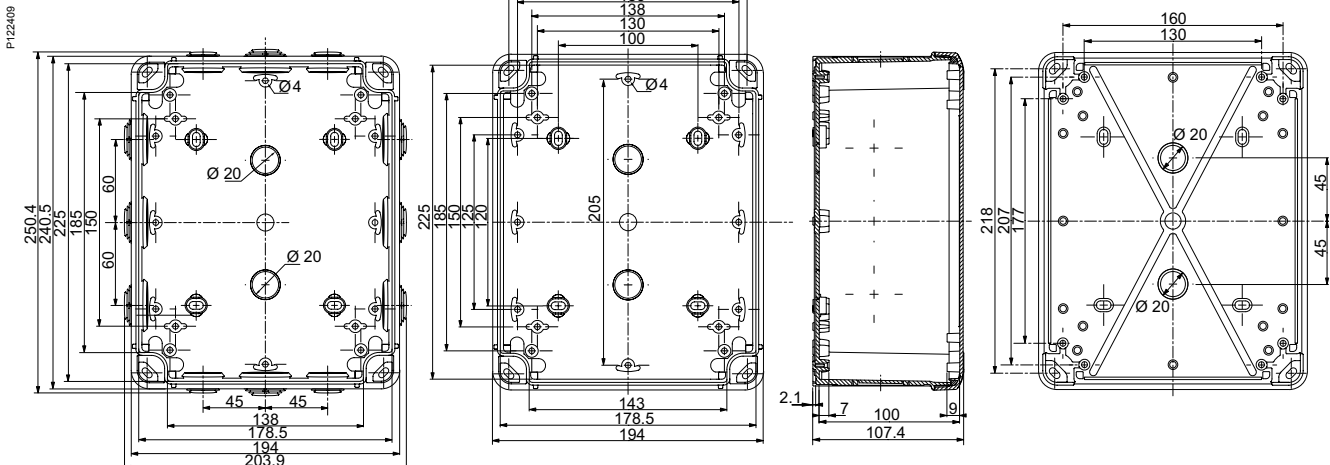
Boîtes 225 x 175 x 100 mm

Interior with grommets

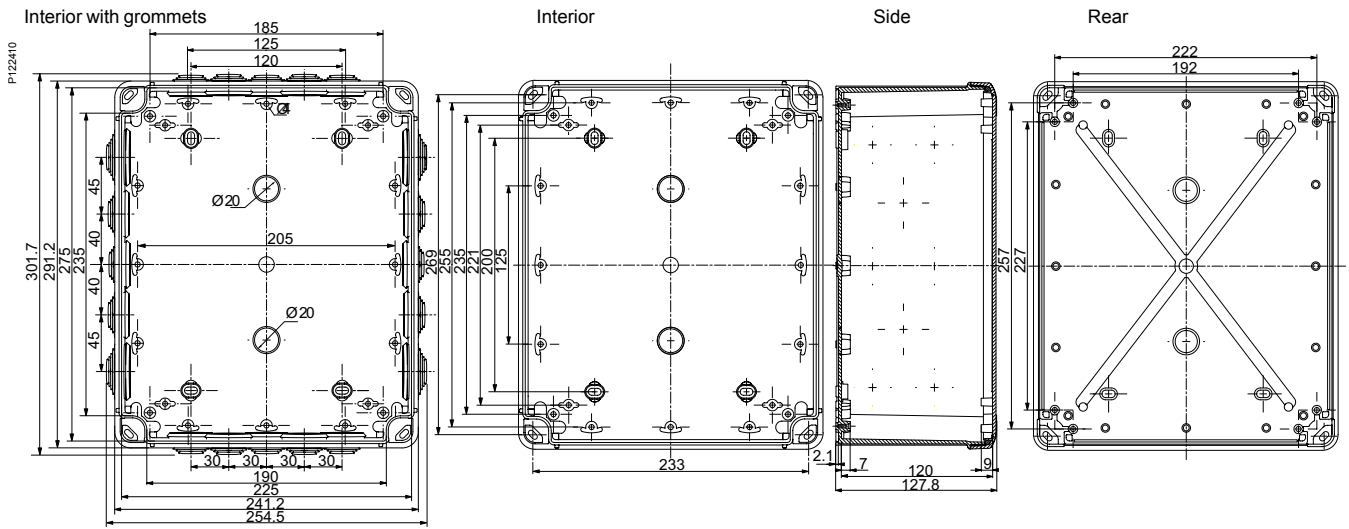
Interior

Side

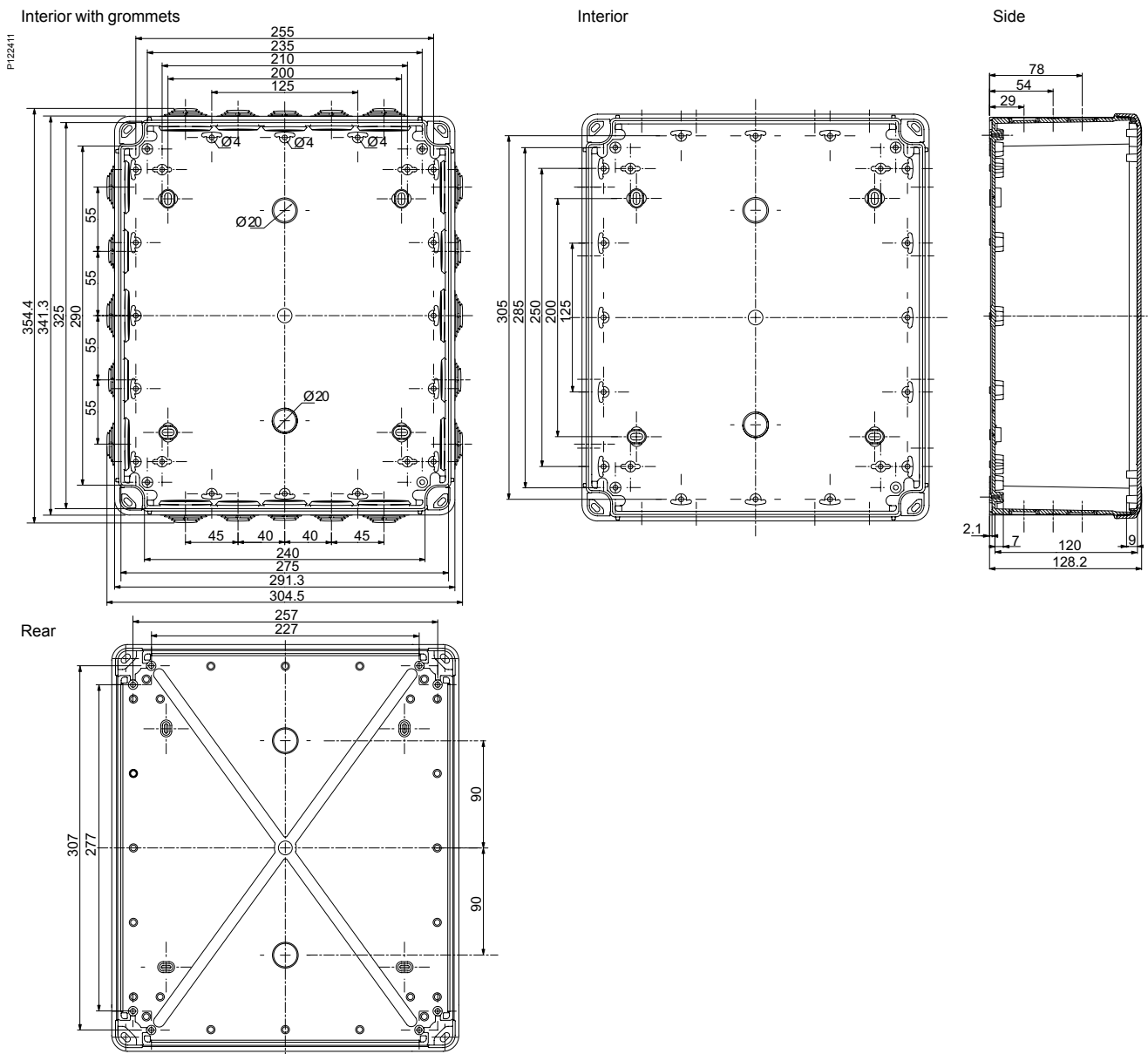
Rear



Boîtes 275 x 225 x 120 mm



Boîtes 325 x 275 x 120 mm



B

Thalassa boxes	C-28
Selection guide	C-28
Characteristics	C-30
Junction boxes - IP66	C-31
Accessories	C-33
Dimensions	C-41



Thalassa boxes

Selection guide



Overall external dimensions			Overall internal dimensions			Body	Cover	Minor pack.	Cover screw	Universal boxes with IP66			
(mm)			(mm)			(mm)	(mm)			ABS IP66 IK07		PC-UL IP66 IK08	
Height	Width	Depth	Height	Width	Depth					Opaque cover	Transparent cover	Opaque cover	Transparent cover
74	74	54	65	65	47	37	10	5	Metal	NSYTBS775	-	NSYTBP775	-
89	89	54	80	80	47	37	10	5	Metal	NSYTBS885	-	NSYTBP885	-
116	74	62	105	65	55	45	10	5	Metal	NSYTBS1176	-	NSYTBP1176	-
		94	105	65	85	45	40	3	Metal	NSYTBS1179H	-	-	-
	116	62	105	105	55	45	10	5	Plastic	NSYTBS11116	-	NSYTBP11116	-
		133	105	105	125	45	80	2	Plastic	NSYTBS111113H	-	-	-
138	93	72	125	80	65	45	20	2	Plastic	NSYTBS1397	NSYTBS1397T	NSYTBP1397	NSYTBP1397T
164	121	87	150	105	80	60	20	2	Plastic	NSYTBS16128	NSYTBS16128T	NSYTBP16128	NSYTBP16128T
192	121	87	175	105	80	60	20	2	Plastic	NSYTBS19128	NSYTBS19128T	NSYTBP19128	NSYTBP19128T
		105	175	105	100	60	40	2	Plastic	NSYTBS191210H	NSYTBS191210HT	NSYTBP191210H	NSYTBP191210HT
	164	87	175	150	80	60	20	1	Plastic	NSYTBS19168	NSYTBS19168T	NSYTBP19168	NSYTBP19168T
241	194	105	175	150	100	60	40	1	Plastic	NSYTBS191610H	NSYTBS191610HT	NSYTBP191610H	NSYTBP191610HT
		87	225	175	80	60	20	1	Plastic	NSYTBS24198	NSYTBS24198T	NSYTBP24198	NSYTBP24198T
		107	225	175	100	80	20	1	Plastic	NSYTBS241910	NSYTBS241910T	NSYTBP241910	NSYTBP241910T
		107	225	175	100	60	40	1	Plastic	NSYTBS241910H	NSYTBS241910HT	NSYTBP241910H	NSYTBP241910HT
291	241	127	225	175	120	80	40	1	Plastic	NSYTBS241912H	NSYTBS241912HT	NSYTBP241912H	NSYTBP241912HT
		88	275	225	80	60	20	1	Plastic	NSYTBS29248	NSYTBS29248T	NSYTBP29248	NSYTBP29248T
		128	275	225	120	100	20	1	Plastic	NSYTBS292412	NSYTBS292412T	NSYTBP292412	NSYTBP292412T
		128	275	225	120	60	60	1	Plastic	NSYTBS292412H	NSYTBS292412HT	NSYTBP292412H	NSYTBP292412HT
341	291	168	275	225	160	100	60	1	Plastic	NSYTBS292416H	NSYTBS292416HT	NSYTBP292416H	NSYTBP292416HT
		128	325	275	120	100	20	1	Plastic	NSYTBS342912	NSYTBS342912T	NSYTBP342912	NSYTBP342912T
		168	325	275	160	100	60	1	Plastic	NSYTBS342916H	NSYTBS342916HT	NSYTBP342916H	NSYTBP342916HT

C

Thalassa boxes

Selection guide



Overall external dimensions (mm)			Overall internal dimensions (mm)			Body (mm)	Cover (mm)	Minor pack.	Boxes equipped with IP54 ABS buttons		ABS button boxes, to be equipped			
Height	Width	Depth	Height	Width	Depth				Function	References	No. of holes	Cover	References	
74	74	83	-	-	-	-	-	1	Emergency switching off	XALEK1702 (1)	-	-	-	
116	74	62	105	65	55	45	10	5	-	-	2	Grey RAL 7035	XALE2	
		62	105	65	55	45	10	5	-	-	3	Grey RAL 7035	XALE3	
		75	-	-	-	-	-	-	1	Start / Stop	XALE2141	-	-	-
		75	-	-	-	-	-	-	1	Up / Down / Stop	XALE3255	-	-	-

(1) Ref. XALEK1702 houses an emergency switching off palm button with mechanical locking according to standards IEC 60364-5-53 and 60947-5-5.

Button description

- Emergency switching off function with a red, Ø 40 mm, "turn to unlock" palm button
- Start / Stop function with 2 push buttons
- Up / Down / Stop function with 3 push buttons
- Technical features of the switches:
 - "NC" switch with positive opening manoeuvre according to IEC 60947-5-1 appendix K
 - mechanical durability of the emergency switch: 0.1 million cycles
 - mechanical durability of the "NC" and "NO" switches: 5 million cycles
 - protection against short circuits: 10 A

Function	Type			Type of push
	"NO"	"NC"	"C / O"	
Emergency switching off	1	1	-	Latching, red
Start / Stop				
Start	1	-	-	Flush, green
Stop	-	1	-	Projecting, red
Up / Down / Stop				
Up	-	-	1	Flush, black
Down	-	-	1	Flush, white
Stop	-	1	-	Projecting, red
	P122402	P122403	P122404	

Thalassa boxes

Characteristics



Characteristics	Universal boxes with IP66	Equipped button boxes, in ABS with IP54	ABS boxes for buttons, to be equipped
	<ul style="list-style-type: none"> ■ Boxes that can be coupled (exactly the same dimensions) with kit ref. 13934 ■ Locks from box size of 116 x 116 x 62 mm: <ul style="list-style-type: none"> <input type="checkbox"/> cover locking by 4 plastic captive screws with coarse thread outside the sealed area <input type="checkbox"/> plumbable lock ■ Locks from box size of 138 x 93 x 72 mm: the standard screws (flat screwdriver) can be replaced with other standardised screws (page 36) ■ The 4 "legs" of the cover ensure its robustness and perfect support during customisation operations ■ Adaptable hinges on all the 20- and 40-mm covers (page 38) 		
Material	<ul style="list-style-type: none"> ■ ABS boxes: <ul style="list-style-type: none"> <input type="checkbox"/> glow wire resistance: 650°C according to IEC 60695-2-11 <input type="checkbox"/> usage temperature: -25°C...+60°C <input type="checkbox"/> installation temperature: -15°C...+40°C ■ Polycarbonate boxes: <ul style="list-style-type: none"> <input type="checkbox"/> glow wire resistance: 960°C <input type="checkbox"/> usage temperature: -25°C...+80°C <input type="checkbox"/> installation temperature: -15°C...+60°C 	<ul style="list-style-type: none"> ■ ABS boxes: <ul style="list-style-type: none"> <input type="checkbox"/> glow wire resistance: 650°C according to IEC 60695-2-11 <input type="checkbox"/> usage temperature: -25°C...+60°C <input type="checkbox"/> installation temperature: -15°C...+40°C 	
Colour	<ul style="list-style-type: none"> ■ Body: grey RAL 7035 ■ Cover: grey RAL 7035 or tinted transparent 		
Ingress protection rating	IP66	IP54	-
Mechanical protection rating	<ul style="list-style-type: none"> ■ ABS: IK07 (2J) according to IEC 62262 ■ Polycarbonate: IK08 (2J) according to IEC 62262 	<ul style="list-style-type: none"> ■ ABS: IK07 (2J) according to IEC 62262 	
Standards	IEC 62208		
Certifications	<ul style="list-style-type: none"> ■ IEC 62208 certified by TÜV ■ SEMKO, DEMKO ■ UL 508A: polycarbonate range ■ Product Environmental Profile ■ NEMA 4.4X according to NEMA 250 ■ Class II according to IEC 61140 ■ Self-extinguishing: UL 94-V0 	<ul style="list-style-type: none"> ■ IEC 62208 certified by TÜV ■ SEMKO, DEMKO ■ UL 508A: polycarbonate range ■ Product Environmental Profile ■ NEMA 4.4X according to NEMA 250 ■ Class II according to IEC 61140 	
Installation	<p>Fixing the box</p> <ul style="list-style-type: none"> ■ Outside the sealed sensitive volume by the 4 chimneys in the corners from box size of 138 x 93 x 72 mm ■ Through the rear of the box by 2 or 4 elongated holes to be perforated ■ With fixing lugs from box size of 116 x 116 x 62 mm (ref. NSYAEFTB) <p>Outdoor installation: compliant with IEC 62208 regarding type tests specified in §9.12 (resistance to ultra-violet (UV) radiation) and §9.13 (resistance to corrosion). It is always advisable to install a canopy to avoid water stagnation on the upper part of the enclosure</p> <p>Equipment installation</p> <ul style="list-style-type: none"> ■ Studs for fixing the equipment in the body and the cover of the box by means of a Ø 4-mm self-tapping screw (ref. NSYAMFSTB, screw Ø 4 x 10 mm with Pozidriv and slotted head) ■ Option of installing rails, plates (page 39) or other types of supports (card, etc.) ■ Spacers and stand-offs to be installed on the studs, for adjusting the height of the equipment 		
Other characteristics	<ul style="list-style-type: none"> ■ Thermal dissipation: <ul style="list-style-type: none"> <input type="checkbox"/> use a suitable calculation method according to IEC 60890 <input type="checkbox"/> anti-condensation valves available as an accessory, prevent the build-up of moisture inside the box 	<ul style="list-style-type: none"> ■ Thermal dissipation: <ul style="list-style-type: none"> <input type="checkbox"/> use a suitable calculation method according to IEC 60890 <input type="checkbox"/> anti-condensation valves available as an accessory, prevent the build-up of moisture inside the box 	

C

Thalassa boxes

Junction boxes - IP66

650°C

Junction boxes ABS 650 °C

Dimensions H x L x W (mm)	Cover colour	Reference	Qty per package
------------------------------	--------------	-----------	-----------------

Metal cover screws

FB500090



Surface mounted junction box without grommets and cover locking by **metal** 4 screws. Degree of protection IP66, mechanical protection IK07, flame resistance 650°C.
Material: ABS

65 x 65 x 47	Grey RAL 7035	NSYTBS775	5
80 x 80 x 47	Grey RAL 7035	NSYTBS885	5
105 x 65 x 55	Grey RAL 7035	NSYTBS1176	5
105 x 65 x 85	Grey RAL 7035	NSYTBS1179H	3

Plastic cover screws

FB500090



Surface mounted junction box without grommets and cover locking by **plastic** 4 screws. Degree of protection IP66, mechanical protection IK07, flame resistance 650°C.
Material: ABS

FB500091



105 x 105 x 55	Grey RAL 7035	NSYTBS11116	5
105 x 105 x 125	Grey RAL 7035	NSYTBS11113H	2
125 x 80 x 65	Grey RAL 7035	NSYTBS1397	2
	Transparent	NSYTBS1397T	2
150 x 105 x 80	Grey RAL 7035	NSYTBS16128	2
	Transparent	NSYTBS16128T	2
175 x 105 x 80	Grey RAL 7035	NSYTBS19128	2
	Transparent	NSYTBS19128T	2
175 x 105 x 100	Grey RAL 7035	NSYTBS191210H	2
175 x 150 x 80	Grey RAL 7035	NSYTBS19168	1
	Transparent	NSYTBS19168T	1
175 x 150 x 100	Grey RAL 7035	NSYTBS191610H	1
225 x 175 x 80	Grey RAL 7035	NSYTBS24198	1
	Transparent	NSYTBS24198T	1
225 x 175 x 100 (80+20)	Grey RAL 7035	NSYTBS241910	1
	Transparent	NSYTBS241910T	1
225 x 175 x 100 (60+40)	Grey RAL 7035	NSYTBS241910H	1
225 x 175 x 120	Grey RAL 7035	NSYTBS241912H	1
275 x 225 x 80	Grey RAL 7035	NSYTBS29248	1
	Transparent	NSYTBS29248T	1
275 x 225 x 120 (100+20)	Grey RAL 7035	NSYTBS292412	1
	Transparent	NSYTBS292412T	1
275 x 225 x 120 (60+60)	Grey RAL 7035	NSYTBS292412H	1
275 x 225 x 160	Grey RAL 7035	NSYTBS292416H	1
325 x 275 x 120	Grey RAL 7035	NSYTBS342912	1
	Transparent	NSYTBS342912T	1
325 x 275 x 160	Grey RAL 7035	NSYTBS342916H	1



Thalassa boxes

Junction boxes - IP66

960°C

Junction boxes PC 960 °C

	Dimensions H x L x W (mm)	Cover colour	Reference	Qty per package
PB500090 	Metal cover screws			
	Surface mounted junction box without grommets and cover locking by metal 4 screws. Degree of protection IP66, mechanical protection IK08, flame resistance 960°C. Material: PC			
	65 x 65 x 47	Grey RAL 7035	NSYTBP775	5
	80 x 80 x 47	Grey RAL 7035	NSYTBP885	5
	105 x 65 x 55	Grey RAL 7035	NSYTBP1176	5
PB500096 	Plastic cover screws			
	Surface mounted junction box without grommets and cover locking by plastic 4 screws. Degree of protection IP66, mechanical protection IK08, flame resistance 960°C. Material: PC			
PB500091 	105 x 105 x 55	Grey RAL 7035	NSYTBP11116	5
	125 x 80 x 65	Grey RAL 7035	NSYTBP1397	2
		Transparent	NSYTBP1397T	2
	150 x 105 x 80	Grey RAL 7035	NSYTBP16128	2
		Transparent	NSYTBP16128T	2
	175 x 105 x 80	Grey RAL 7035	NSYTBP19128	2
		Transparent	NSYTBP19128T	2
	175 x 105 x 100	Grey RAL 7035	NSYTBP191210H	2
		Transparent	NSYTBP191210HT	2
	175 x 150 x 80	Grey RAL 7035	NSYTBP19168	1
		Transparent	NSYTBP19168T	1
	175 x 150 x 100	Grey RAL 7035	NSYTBP191610H	1
		Transparent	NSYTBP191610HT	1
	225 x 175 x 80	Grey RAL 7035	NSYTBP24198	1
		Transparent	NSYTBP24198T	1
	225 x 175 x 100 (80+20)	Grey RAL 7035	NSYTBP241910	1
Transparent		NSYTBP241910T	1	
225 x 175 x 100 (60+40)	Grey RAL 7035	NSYTBP241910H	1	
	Transparent	NSYTBP241910HT	1	
225 x 175 x 120	Grey RAL 7035	NSYTBP241912H	1	
	Transparent	NSYTBP241912HT	1	
275 x 225 x 80	Grey RAL 7035	NSYTBP29248	1	
	Transparent	NSYTBP29248T	1	
275 x 225 x 120 (100+20)	Grey RAL 7035	NSYTBP292412	1	
	Transparent	NSYTBP292412T	1	
275 x 225 x 120 (60+60)	Grey RAL 7035	NSYTBP292412H	1	
	Transparent	NSYTBP292412HT	1	
275 x 225 x 160	Grey RAL 7035	NSYTBP292416H	1	
	Transparent	NSYTBP292416HT	1	
325 x 275 x 120	Grey RAL 7035	NSYTBP342912	1	
	Transparent	NSYTBP342912T	1	
325 x 275 x 160	Grey RAL 7035	NSYTBP342916H	1	
	Transparent	NSYTBP342916HT	1	

Cable entries overview

PB500266



PB500275



PB500267



PB500276



PB500099










Characteristics	Simple-1	Simple-2	Simple-3	Simple-4	Simple-5
	Mixed membrane entries for enclosure thickness 20/10° - 32/10° mm.	PVC adjustable cone-shaped entries for enclosure thickness 30/10° - 32/10° mm.	Quick cable entries for enclosure thickness 10/10° - 40/10° mm.	PVC adjustable cone-shaped entries for Pg tubes or for enclosure thickness 12/10° - 15/10° mm.	ISO cable gland.
Cable entry material	Soft membrane		Combined		
Cable glands to be fitted	Not applicable				
Installation possibilities	On cable gland plate or directly on enclosure				
Flexibility of the installation	Low				
Reversibility	Medium				
Ingress protection rating	IP55	IP55	IP67	IP55	IP68
Cable retention	Low	Low	Medium	Low	High
Cable diameter (mm)	From 20 to 40	From 18 to 87	From 12 to 50	From 16 to 44	From 12 to 40
Cable Installation time	Fast	Fast	Fast	Fast	Slow
Quantity of cables to be fitted for a given surface	+	+	+	+	+
Cable entries for cables with connectors	No	No	No	No	No
Cut-out dimensions (mm)	Various circular hole diameters according to cable diameter				
External dimensions (mm)	-	From Ø 25 to 98	-	From Ø 25 to 52	From Ø 15 to 46
Certificates	-	-	-	-	-
Flame resistance	750°C	-	750°C	-	750°C

References*




* For details, type reference in the search engine of www.schneider-electric.com



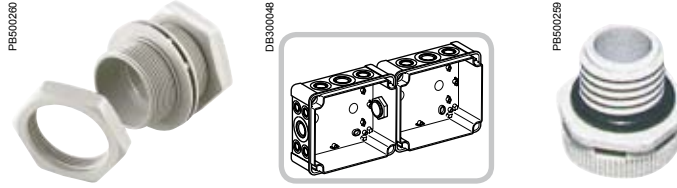
Accessories for cable entries without strain relief

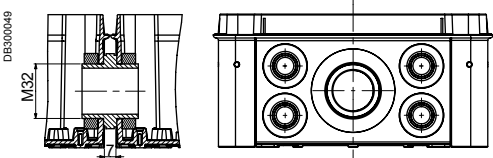
	ISO diameter	Diameter of cable / conduit (mm)	Diameter of drilling (mm)	Colour	Reference	Qty per package	
 	Simple-1 (Grommets)						
	Flexible grommet suitable for unthreaded holes. For fast installation by using either EVA (easy valve access) membrane entry, i.e. direct entry of rigid cables 4-14 mm ² , or stepped entry, by removing a step of the desired diameter for cables or conduits from 14 mm ² to 20, 25, 32 and 40 mm ² respectively. Degree of protection IP55. Usage temperature: -25°C...+40°C. Material: SBS						
		4-20		Ø 23	Grey RAL 7035	ISM71071	10
					White RAL 9003	IMT36130	10
		4-25		Ø 29	Grey RAL 7035	ISM71072	10
	Simple-2 (TET Grommets)						
	PVC adjustable cone-shaped entrie for enclosure thickness 30/10° - 32/10° mm. Material: PVC						
		5-18		Ø 21.5	Grey	NSYECPC3	50
	5-26		Ø 29.5	Grey	NSYECPC5	25	
	5-36		Ø 38.5	Grey	NSYECPC6	25	
	Simple-3 (PVC Grommets)						
	Grommet suitable for holes with metric thread and various diameters. Degree of protection IP67. Material: EPDM						
	M12	Ø 3 / 5		Ø 12 - 13	Grey	IMT36179	50
	M16	Ø 5 / 7		Ø 16 - 17	Grey	IMT36180	50
	M20	Ø 7 / 10		Ø 20 - 21	Grey	IMT36181	50
	Simple-4 (PVC)						
	Adjustable membrane gland 25x33 mm with shaped entries for Pg tubes or for enclosure thickness from 12/10° to 15/10° mm. Degree of protection: IP55. Material: PVC						
		3-16		Ø 19.5	Black	NSYEC1	50
		6-16		Ø 19.5	Black	NSYEC2	50
		7-18		Ø 21.5	Black	NSYEC3	50
	Simple-5 (Cable glands acc. to ISO standard)						
	Cable gland equipped with nut and neoprene seal for one cable. May be used both for threaded and unthreaded holes. The IP68 classification assures complete protection. The temperature range is between -30° and +80°C permanently and up to +150°C intermittently. Material: PA6.						
	M12	Ø 3 / 6.5			Grey	ISM71501	20
	M16	Ø 4 / 8			Grey	ISM71502	20
	M20	Ø 6 / 12			Grey	ISM71503	20
	Simple-5 (Security cable gland)						
	Security cable gland equipped with nut and seal for one cable, specially adapted to red boxes for safety circuits. May be used in both theaded and unthreaded holes. The IP68 and choice of plastic material ensures complete protection even in hot environments. Incandescent wire tested at 960°C. Material: PA6.						
	M20	Ø 6 / 12			Red RAL 3000	IMT36150	20

Accessories for cable entries with strain relief

	ISO diameter	Diameter of cable/ conduit (mm)	No of diameters	Colour	Reference	Qty per package
 <p>P100908</p>	Gasket					
	Gasket for cable gland. To be used to ensure a tight fit and complete protection IP68 when mounting cable glands on rough surfaces. Material: EPDM rubber.					
 <p>P60958</p>	M40			Black	IMT36156	25
	Multi-cable discs					
	Multi-cable disc for cable glands. To be used for a secure fitting of multiple cables or wires through the same cable gland. Material: EPDM rubber					
	M16		2 x Ø 4	Black	IMT36157	40
	M20		3 x Ø 4	Black	IMT36158	40
M25		4 x Ø 5	Black	IMT36159	20	
M32		6 x Ø 5	Black	IMT36160	20	
 <p>P80959</p>	Transport plugs					
	Transport plug for cable gland. To be used to seal a cable gland during transport, or when pre-assembling a cable gland for later use. Material: PA6.					
	M16			Black	IMT36167	40
	M20			Black	IMT36168	40
	M25			Black	IMT36169	20
	M32			Black	IMT36170	20
M40			Black	IMT36171	10	

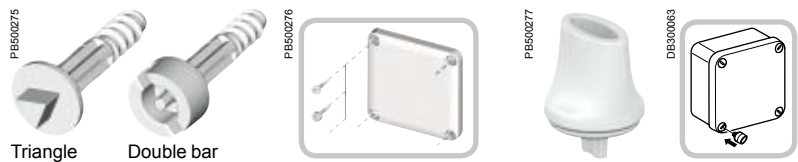




Characteristics		Coupling kit	Sealed anti-condensation valve		
		The coupling kit allows you to join several boxes with dimensions from 138 x 93 mm	Controls the pressure to avoid condensation following an internal temperature increase Applications Protection of equipment for luminaires, industrial control, transportation, pumps, etc		
Material		Polystyrene 650°	PA6-V2, acrylic co-polymer membrane, water and oil repellent		
Ingress protection rating		IP66	IP68		
Installation		The kit is installed by drilling a hole with Ø 32 mm in the boxes to be coupled	The valve is installed by drilling a hole with Ø 12 mm in the box		
Usage temperature		-	-40...+105°C		
Supply		The kit consists of 2 linking parts, nuts and seals	10 valves, nuts and seals		
Drill Ø	Minor pack.	Reference	Permeability (1)	Pressure difference (2)	References
32 mm	1	13934	-	-	-
M12	10	-	16 litres/h	ΔP < 1 bar	NSYCAG12LPH1
M12	10	-	120 litres/h	ΔP < 0.1 bar	NSYCAG12LPH2
					

(1) Air flow under ΔP = 0.7 bar.
(2) Condition for IP68.

Cover accessories



Characteristics		Set of 4 shape screws	Pack of 4 handles	
		<ul style="list-style-type: none"> The Thalassa boxes are delivered as standard with slotted-head screws for flat screwdrivers from 4 to 5.5 mm With box sizes from 138 x 93 x 72 mm, these screws can be replaced for screws with different standardised heads, to comply with most cases After removing the standard screw, simply position the new screw by pressing on it The adapter clips (intermediate parts for tightening the cover on the body of the box) are the same as those for the standard screws. They are not delivered with the shape screws (see drawing on page 38) A single key for opening the boxes as well as the other enclosures of your installation 	<ul style="list-style-type: none"> The handle (or thumbwheel) allows the screws to be handled without any tools. It is ideally associated with a box equipped with hinges It snaps onto the head of the standard plastic screw 	
Type	Minor pack.	Height of the lid (mm)		
		20	40	60
Triangle 6.5 mm	1	NSYAEDST620TB (1)	-	-
Triangle 8 mm	1	NSYAEDST820TB	-	-
Double bar 3 mm	1	NSYAEDSB320TB	-	-
Double bar 5 mm	1	NSYAEDSB520TB	-	-
Spare standard plastic screw	1	NSYAEDS20TB	NSYAEDS40TB	NSYAEDS60TB
Pack of 4 handles	1	-	-	NSYAEDKTB

(1) CNOMO.

Terminal blocks



NSYTRV**

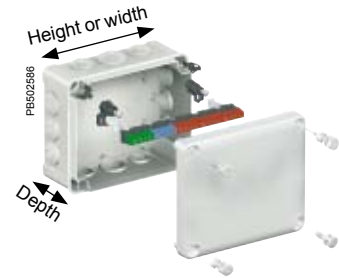
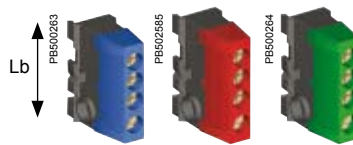
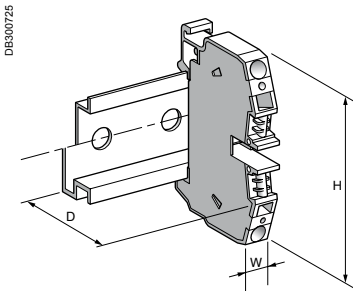


NSYTRR**



NSYTRP**

Characteristics	DIN rail terminal blocks									
	<ul style="list-style-type: none"> The new Linergy TR terminal blocks have 3 types of connections: screw, spring or "push-in" and they can be mounted on a DIN rail Connection capacity from 1.5 mm² up to 150 mm² Available in grey, blue, orange, red, green, black or white color 									
Minor pack.	50									
Type	Screw connection				Spring connection				"Push-in" connection	
	H (mm)	W (mm)	D (mm)	References	H (mm)	W (mm)	D (mm)	References	References	
Passthrough, 2.5 mm ² , grey	47.5	5.2	47.7	NSYTRV22	48.5	5.2	36.5	NSYTRR22	NSYTRP22	
Passthrough, 2.5 mm ² , blue	47.5	5.2	47.7	NSYTRV22BL	48.5	5.2	36.5	NSYTRR22BL	NSYTRP22BL	
Protective earth, 2.5 mm ²	47.5	5.2	47.7	NSYTRV22PE	48.5	5.2	36.5	NSYTRR22PE	NSYTRP22PE	
Passthrough, 4 mm ² , grey	65.4	5.2	47.7	NSYTRV44	56	6.2	36.5	NSYTRR42	NSYTRP42	
Passthrough, 4 mm ² , blue	65.4	5.2	47.7	NSYTRV44BL	56	6.2	36.5	NSYTRR42BL	NSYTRP42BL	
Protective earth, 4 mm ²	65.4	6.2	47.7	NSYTRV44PE	56	6.2	36.5	NSYTRR42PE	NSYTRP42PE	



Characteristics	4-hole terminal blocks		
	<ul style="list-style-type: none"> The 4-hole terminal block support bar is particularly well suited to the thermoplastic boxes Boxes with sizes from 192 x 116 mm can accommodate a terminal-block support bar of 12 x 2 mm The screwing terminal blocks are easily clipped onto this bar Terminal-block connection capacity: see the selection table below 		
Minor pack.	10	5	5
Type	Red (live)	Blue (neutral)	Green (earth)
4-hole terminal blocks* 2 x 10 ² + 2 x 16 ²	IMT34003	IMT34005	IMT34007
Earth terminal block** 2 x 25 ²	-	-	IMT34009

* Terminal block length (Lb): 30 mm.

** The earth terminal snap fits into boxes with dimensions of less than 116 x 116 mm.



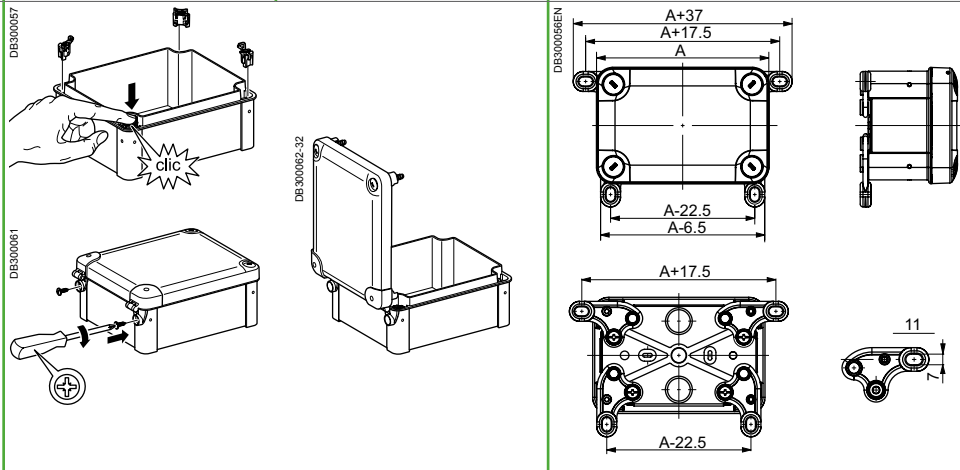
Terminal-block support bar				No. of Terminal blocks 2 x 10 ² + 2 x 16 ² 4 holes	Support length Ls (mm)
Height or width	Min. depth	Minor pack.	References		
192	87	1	IMT34000	4	140
241	87	1	IMT34001	6	185
291	128	1	IMT34002	8	235

Discover our complete terminal blocks range in [LVYED213001EN](#).

Hinges



Characteristics	Set of 2 hinges	Set of 4 fixing lugs								
Ingress protection rating	IP66	IP66								
Installation	<ul style="list-style-type: none"> The hinges can be adapted to all covers with a height of 20 and 40 mm with dimensions from 138 x 93 mm The hinge allows the lid to open fully to 200° 	<ul style="list-style-type: none"> Plastic fixing lugs for installation on boxes with dimensions from 116 x 116 mm Option of vertical or horizontal installation 								
Maximum load	Hinged cover: 10 kg/m ²	<ul style="list-style-type: none"> Body: 30 kg/m² Cover: 10 kg/m² 								
Minor pack.	1	1								
Supply	The hinges (2 per set) are delivered with the fixings	4 lugs + screws								
	<table border="1"> <thead> <tr> <th>Height of the lid (mm)</th> <th>References</th> </tr> </thead> <tbody> <tr> <td>20</td> <td>NSYAEDH20TB</td> </tr> <tr> <td>40</td> <td>NSYAEDH40TB</td> </tr> </tbody> </table>	Height of the lid (mm)	References	20	NSYAEDH20TB	40	NSYAEDH40TB	<table border="1"> <thead> <tr> <th>Reference</th> </tr> </thead> <tbody> <tr> <td>NSYAEFTB</td> </tr> </tbody> </table>	Reference	NSYAEFTB
Height of the lid (mm)	References									
20	NSYAEDH20TB									
40	NSYAEDH40TB									
Reference										
NSYAEFTB										



Accessory bag

Accessory	Set of
Bag for boxes TBS - TBP	Reference
	NSYTBPASBS

C

Installation accessories

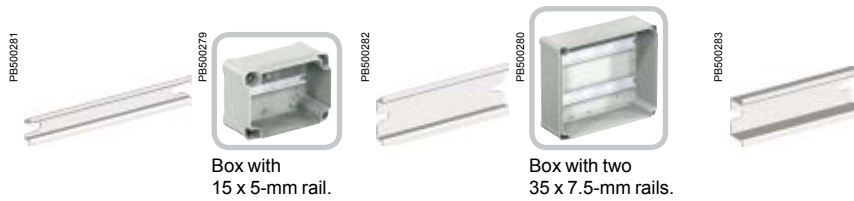


Characteristics					Mounting plates	
					Mounting plates made to adapt to all usage scenarios	
Material					Galvanised-steel	Insulating polyester plate reinforced with fibreglass, halogen-free: glow wire resistance 750°C
Thickness					15/10° mm	25/10° mm
Installation					<ul style="list-style-type: none"> ■ Fixing by means of Ø 4-mm self-tapping screws, Pozidrive and slotted head, ref. NSYAMFSTB ■ To raise the plate, use the stand-offs ref. NSYAMFET154TB, NSYAMFET204TB, NSYAMFET304TB and the screw NSYAMFESTB ■ To stack several mounting plates, use the spacers, ref. NSYAMFEP154TB, NSYAMFEP204TB, NSYAMFEP304TB and the screw NSYAMFESTB 	
Supply					Plates supplied without screws	
Box (mm)		Dimensions (mm)		Minor pack.	References	
Height	Width	A	B			
192	164	168.5	140	1	NSYAMPM1916TB	NSYAMPA1916TB
241	194	215	168.5	1	NSYAMPM2419TB	NSYAMPA2419TB
291	241	265	215	1	NSYAMPM2924TB	NSYAMPA2924TB
341	291	315	265	1	NSYAMPM3429TB	NSYAMPA3429TB

Accessories			Pack of 100 screws	
Ø 4 x 10 mm	1		NSYAMFSTB	NSYAMFSTB

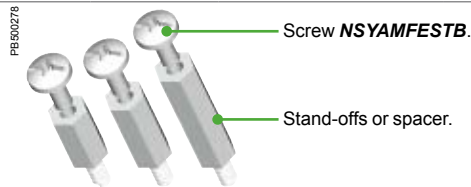


Installation accessories



Characteristics	Rails					
	Symmetric DIN rails ■ A 15 x 5-mm rail is provided for the compact terminal blocks ■ To raise the rail, use stand-offs ref. NSYAMFET154TB , NSYAMFET204TB , NSYAMFET304TB and the screw NSYAMFESTB					
Installation	Fixing of the rails with Ø 4-mm self-tapping screws, (not included), Pozidrive and slotted head, ref. NSYAMFSTB					
Supply	Supplied without screws (except for the 15 x 5 mm rails)					
For boxes with height or width (mm)	15 x 5 mm		35 x 7.5 mm		35 x 15 mm	
	Minor pack.	References	Minor pack.	References	Minor pack.	References
105	10	NSYAMRD11155TB	10	NSYAMRD11357TB	-	-
150	10	NSYAMRD16155TB	10	NSYAMRD16357TB	-	-
175	10	NSYAMRD19155TB	10	NSYAMRD19357TB	-	-
225	10	NSYAMRD24155TB	10	NSYAMRD24357TB	10	NSYAMRD243515TB
275	10	NSYAMRD29155TB	10	NSYAMRD29357TB	10	NSYAMRD293515TB
325	10	NSYAMRD34155TB	10	NSYAMRD34357TB	10	NSYAMRD343515TB

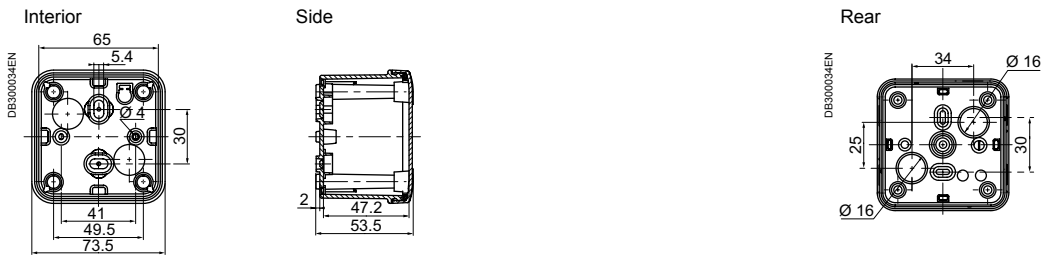
Accessories	Pack of 100 screws
Ø 4 x 10 mm	NSYAMFSTB



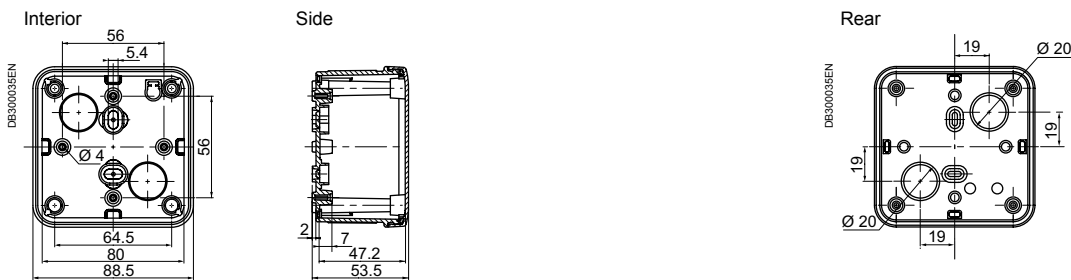
Characteristics	Stand-offs	Spacers
	Stand-offs consisting of a Ø 4-mm self-tapping thread at one end (for direct screwing into the rivets of the box) and an M4 tapping on the other end, for direct installation of a card with an M4 screw, ref. NSYAMFESTB , or of a spacer	Spacer for installation on the stand-offs M4 thread and tapping
Material	Steel	Steel
Supply	Set of four M4 self-tapping stand-offs	Set of four M4 spacers
Height (mm)	Minor pack.	References
15	1	NSYAMFET154TB
20	1	NSYAMFET204TB
30	1	NSYAMFET304TB

Accessories	Screw for stand-offs and spacers
	M4 x 10 mm screw for fixing cards on the spacers and stand-offs ■ The plate always at the right level ■ A single Ø 4-mm screw for fixing any element
Supply	Batch of 50 screws
	Minor pack.
	1
	References
	NSYAMFESTB

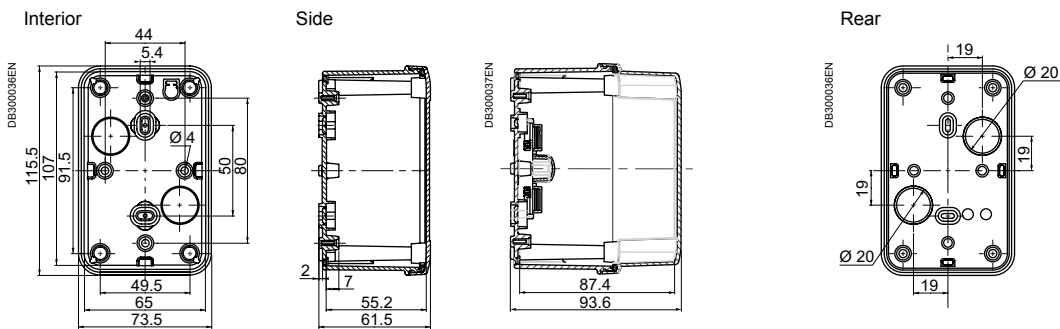
Box of 74 x 74 x 54 mm (external dimensions) NSYTB...775



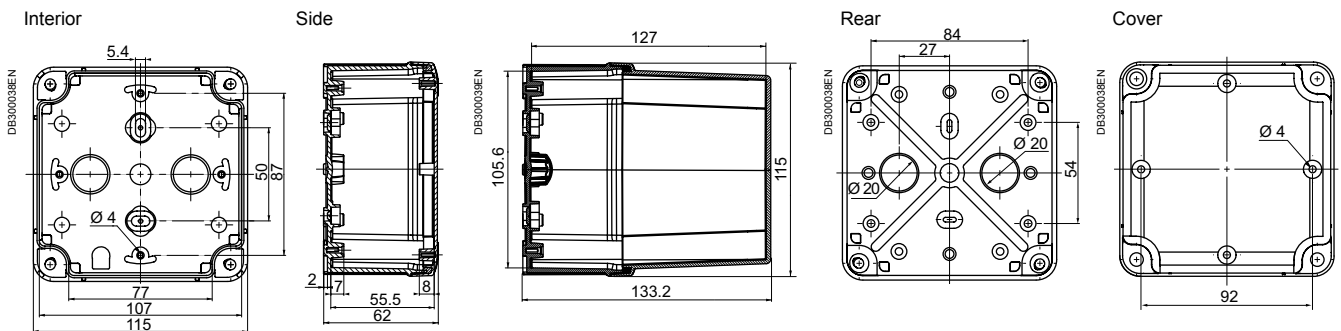
Box of 89 x 89 x 54 mm (external dimensions) NSYTB...885



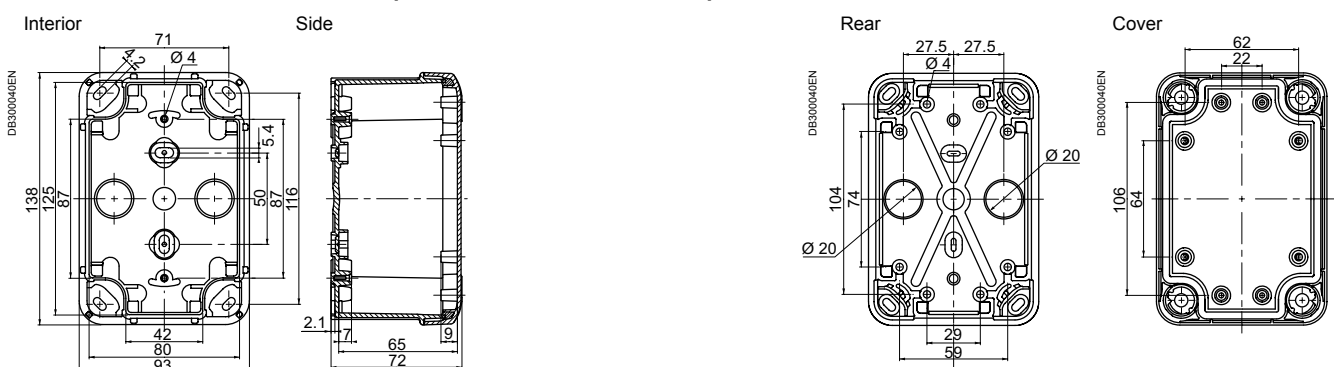
Box of 116 x 74 x 62 or 94 mm (external dimensions) NSYTB...1176 or NSYTB...1179



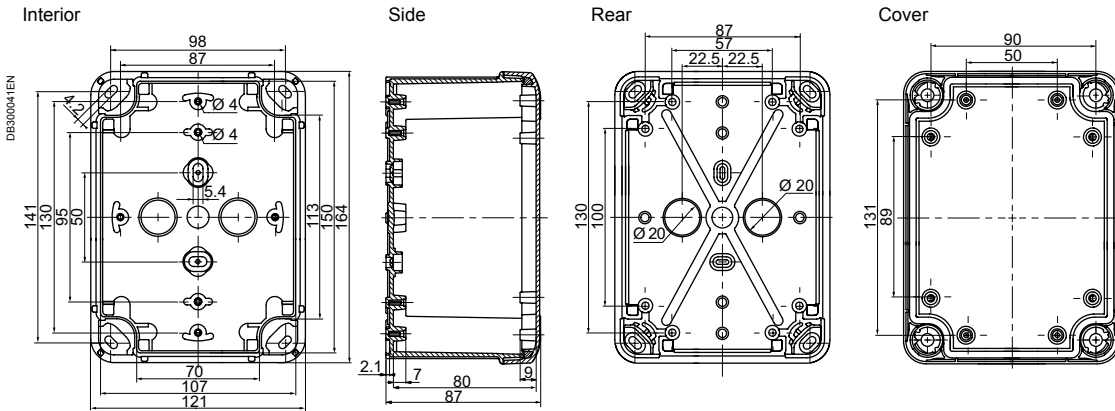
Box of 116 x 116 x 62 or 133 mm (external dimensions) NSYTB...11116 or NSYTB...11113



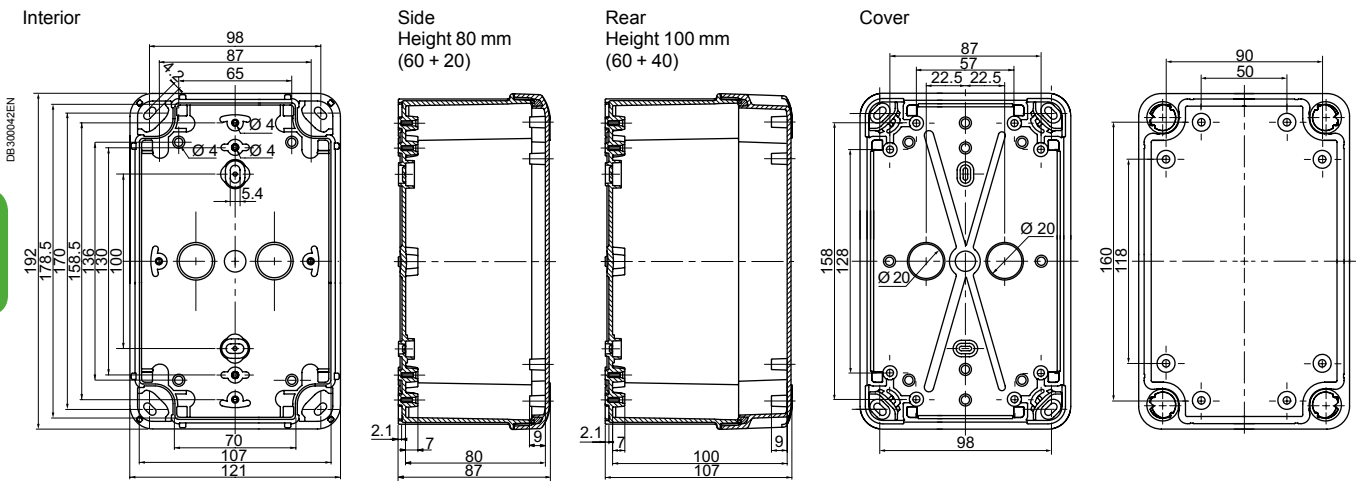
Box of 138 x 93 x 72 mm (external dimensions) NSYTB...1397



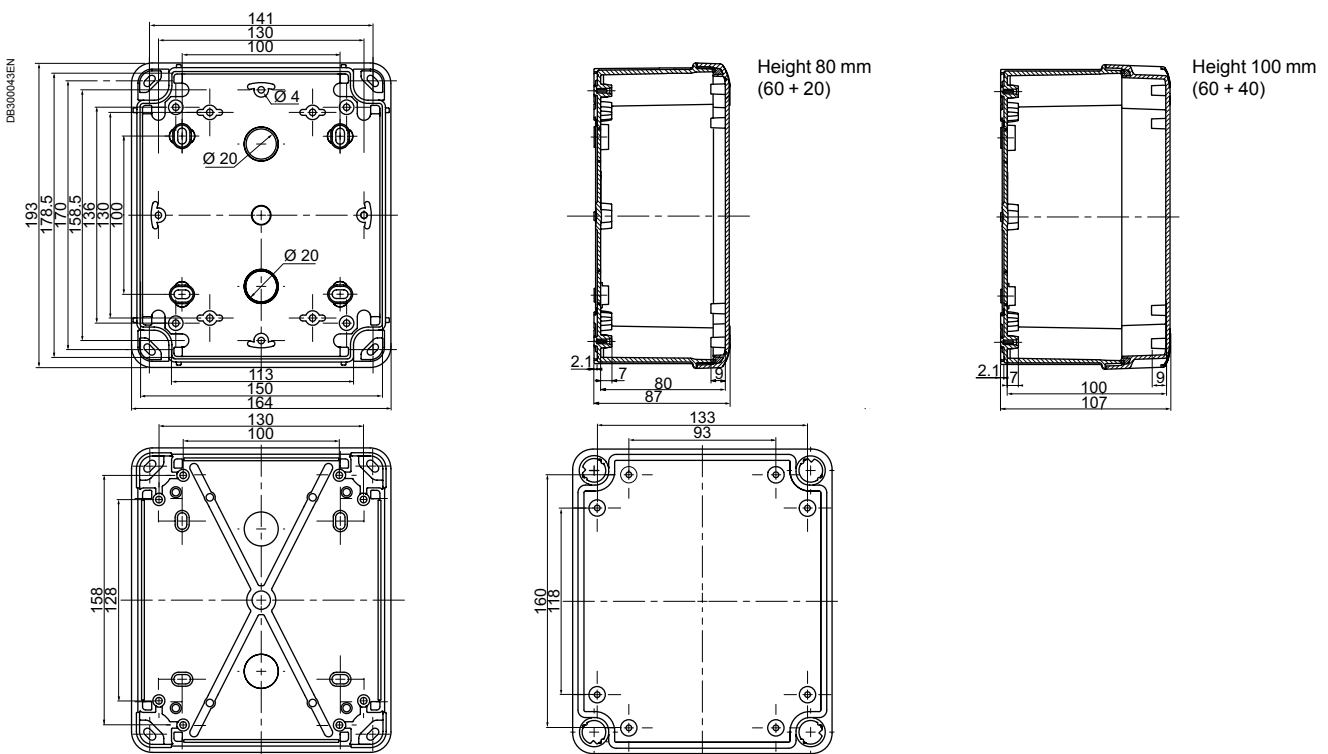
Box of 164 x 121 x 87 mm (external dimensions) NSYTB...16128



Box of 192 x 121 x 87 or 105 mm (external dimensions) NSYTB...19128 or NSYTB...191210



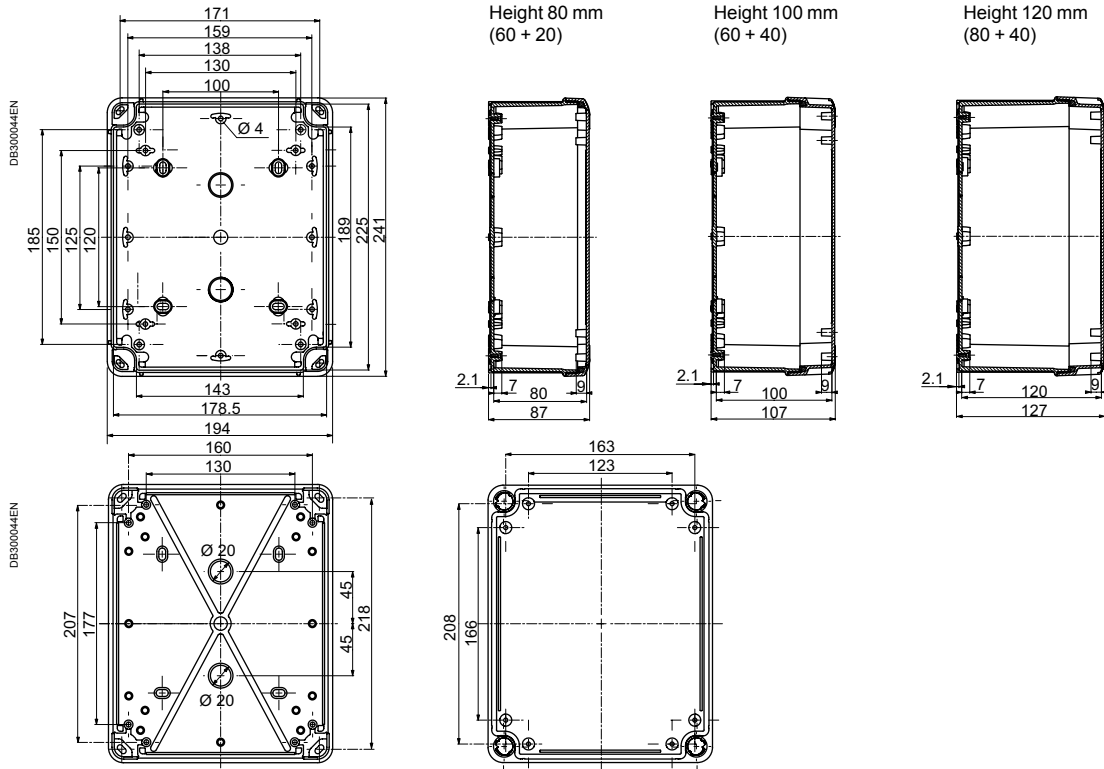
Box of 192 x 164 x 87 or 105 mm (external dimensions) NSYTB...19168 or NSYTB...191610



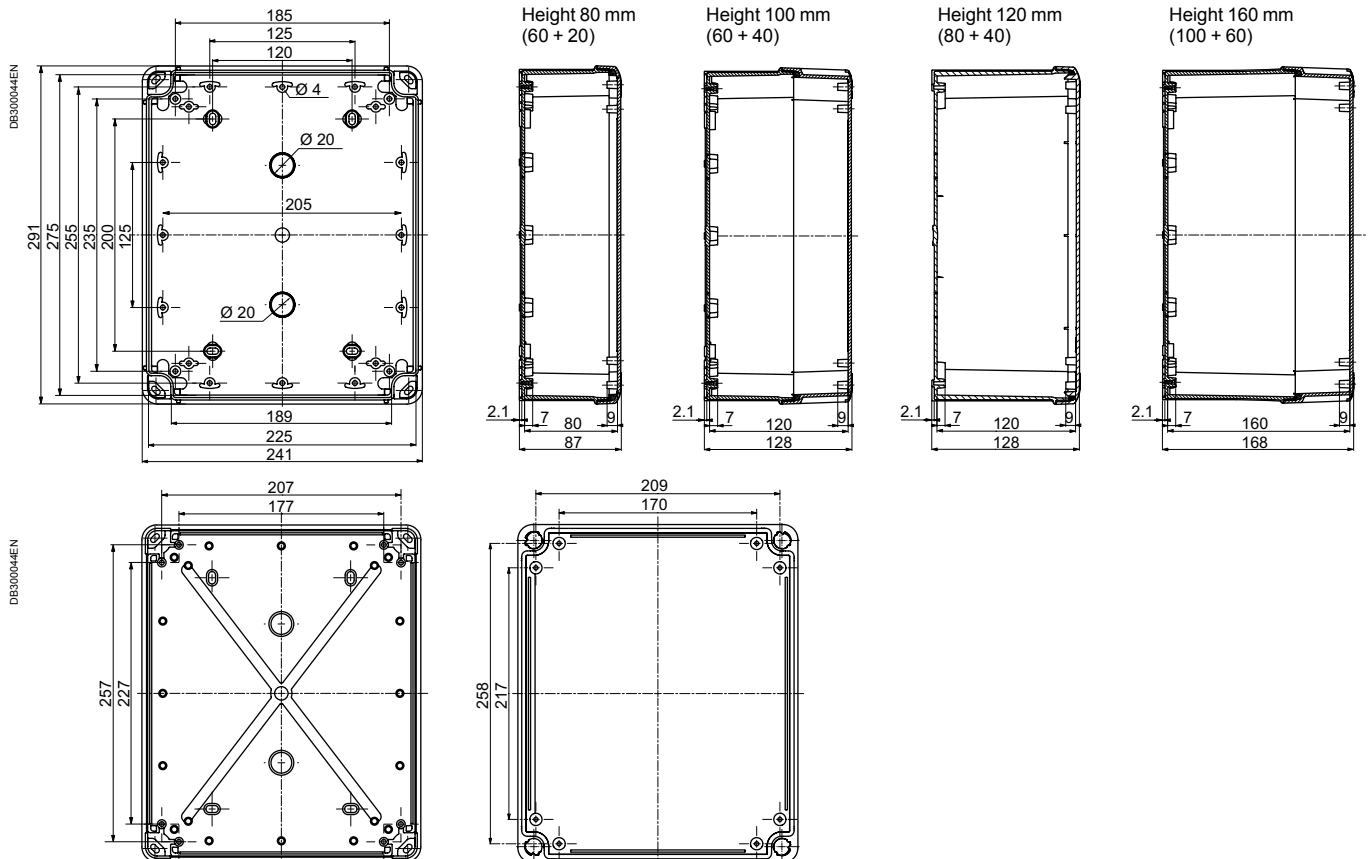
Thalassa boxes

Dimensions

Box of 241 x 194 x 87, 107 or 127 mm (external dimensions) NSYTB...24198, NSYTB...241910 or NSYTB...241912



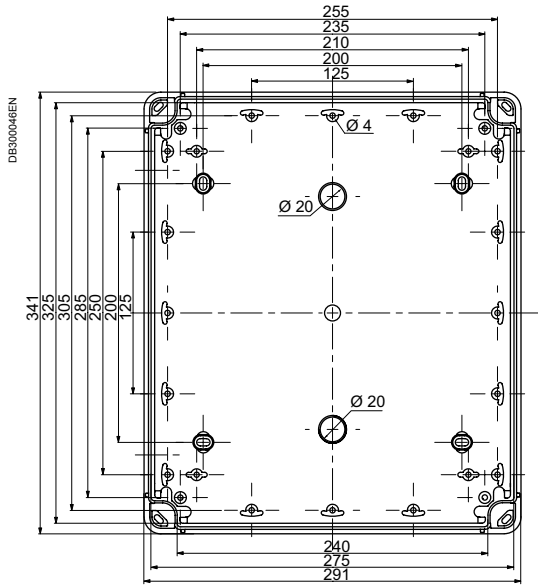
Box of 291 x 241 x 88, 128 or 168 mm (external dimensions) NSYTB...29248, NSYTB...292412 or NSYTB...292416



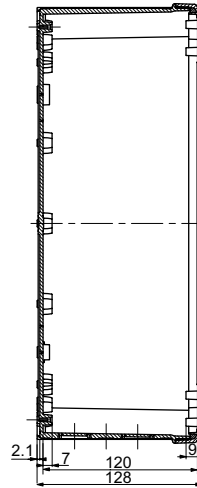
Thalassa boxes

Dimensions

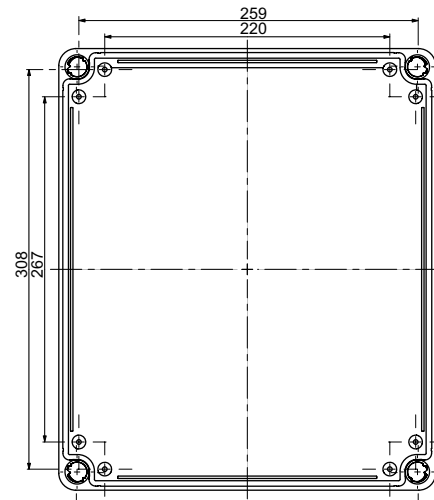
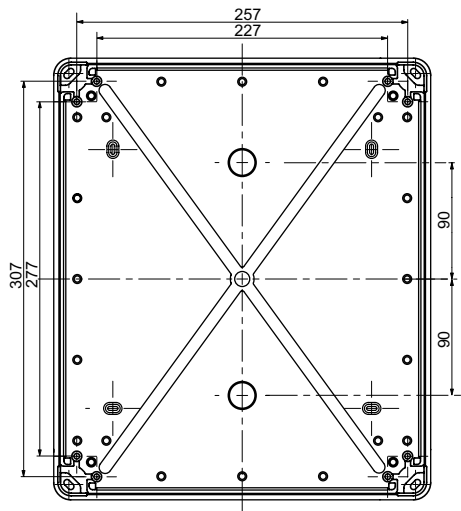
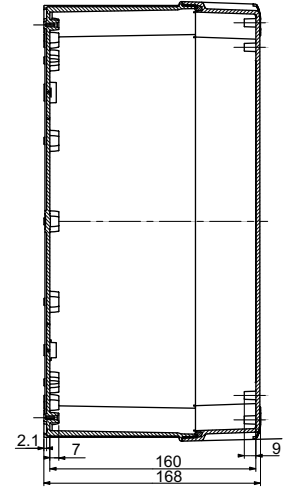
Box of 341 x 291 x 128 or 168 mm (external dimensions) NSYTB...342912 or NSYTB...342916



Height 120 mm
(80 + 40)



Height 160 mm
(100 + 60)



C

Properties of the plastic materials

Mechanical, electrical, physical and fire-resistance properties

Plastic materials generally used to manufacture our products:

- ABS
- Polycarbonate
- PVC (polyvinyl chloride)
- Bayblend® = PC + ABS
- Polyester reinforced with fibreglass
- Altuglas
- Polypropylene
- Polystyrene
- Polyamide 6 and 12
- SBS.

Specifications	Standards	Units	ABS	Polycarbonate	PVC	Bayblend®	Polyester	SBS
Mechanical properties								
Tensile strength	ISO 257	MPa	44	> 65	45	35	85	5
Tensile strain	ISO 527	%	12	> 110	120 to 150	40	0	600
Impact resistance	ISO 179	kJ/m ²	125	No breakage	25	No breakage	60	No breakage
Notching resistance	ISO 179	kJ/m ²	19	25	20	25	50	-
Electrical properties								
Stress point	IEC 60112	-	-	250-300	> 600	> 550	> 600	-
Surface strength	IEC 60093	ohm	1015	> 1015	> 1013	> 1014	≥1012	> 1013
Dielectric strength	IEC 60243	kV/mm	16.5	> 30	30	24	18-20	20
Specific resistivity	IEC 60093	ohm ³ cm	1015	> 1016	≥ 1015	1016	≥ 1012	> 1016
Physical properties								
Softening temperature (Vicat B)	ISO 306	°C	95	145-150	79-80	115	(1)	80
Temperature resistance	-	°C	-40...+90	-50...+125	-20...+65	-35...+90	-50...+150	-40...+120
Water absorption	ISO 62	%	0.2 - 0.45	0.15	< 0.1	0.2	0.2	-
Specific weight	ISO 1183	kg/dm ³	1.04	1.21	1.4	1.12	1.85	0.3 in 24 h
Fire resistance								
Oxygen index	ISO 4589	%	19	26	45-50	22	24.4	18
Glow wire resistance, 2 mm	IEC 60695-2	°C	650	960	960	750	960	750° (1.5 mm)
Glow wire resistance, 3 mm	IEC 60695-2	°C	650	960	960	750	960	NA

(1) No softening of the polyester.

Specifications	Standards	Units	Altuglas	Polypropylene	Polystyrene	Polyamide 6	Polyamide 12
Mechanical properties							
Tensile strength	ISO 257	MPa	30	35	24	40	30
Tensile strain	ISO 527	%	5	400	36	200	300
Impact resistance	ISO 179	kJ/m ²	20	20	63	No breakage	No breakage
Notching resistance	ISO 179	kJ/m ²	3	5	50	31.2	15
Electrical properties							
Stress point	IEC 60112	-	-	-	KB175	KB175	KB180
Surface strength	IEC 60093	ohm	≥ 1014	-	> 1013	1012	5 x 1010
Dielectric strength	IEC 60243	kV/mm	13-15	20	≤ 40	23	55
Specific resistivity	IEC 60093	ohm ³ cm	> 1015	> 1016	> 1015	1011	3 x 1011
Physical properties							
Softening temperature (Vicat B)	ISO 306	°C	120-122	75 (vicat A)	79	230	140
Temperature resistance	-	°C	-20...+80	-10...+80	-15...+60	-20...+100	-50...+125
Water absorption	ISO 62	%	< 0.5	0.1 in 24 h	0.1 in 24 h	1.6	1.5
Specific weight	ISO 1183	kg/dm ³	1.18	0.91	1.06	1.14	1.03
Fire resistance							
Oxygen index	ISO 4589	%	18.5	18	18	24	22
Glow wire resistance, 2 mm	IEC 60695-2	°C	-	650	650	750	650
Glow wire resistance, 3 mm	IEC 60695-2	°C	960	650	650	850	650

Properties of the plastic materials

Resistance to chemical agents

The table shows:

- The concentration of the chemical agent in %; sat = saturation
- The resistance of the material:
 - +: Resistant
 - O: Limited resistance
 - : Not resistant.

Plastic materials generally used to manufacture our products:

- ABS
- Polycarbonate
- PVC (polyvinyl chloride)
- Bayblend® = PC + ABS
- Polyester
- Altuglas
- Polypropylene
- Polystyrene
- Polyamide 6 and 12
- SBS.

Resistance to	ABS	Poly-carbonate	PVC	Bayblend®	Polyester	Altuglas	Poly-propylene	Poly-styrene	Poly-amide 6	Poly-amide 12	SBS									
Acetone		-	-	-	-	-	100	+		100	+									
Hydrochloric acid	15	+	10	+	30	+	20	+	30	+	sat	+		O	10	-	10	+	10	+
Citric acid			10	+	sat	+	10	+	100	+	sat	+		+	10	O		+	10	+
Lactic acid	80	+	10	+	90	+	10	-	100	+	20	+		O	50	O		+	sat	+
Nitric acid	30	+	10	+	50	+	10	+	20	+	10	+		O	2	O		-	50	+
Phosphoric acid	85	+	100	+	sat	+		+	100	+	10	+		O	2	O	50	+		+
Sulphuric acid	50	+	50	+	96	+	30	+	70	+	30	+		O	3	-	10	+	96	+
Alcohol		O	96	+	96	+		-	50	O	50	O		+	96	O	96	+		+
Pure aniline		O		-	100	-		-		O					100	O	100	O		
Benzene		+	100	-	-	-		+			O	100	O		100	+		+		-
Liquid bromine			100	-	-	-		-			100	-					100	-		-
Liquid chlorine				-	100	-		sat	+		-	100	-		100	O		-	50	+
Sea water		+	100	+	100	+		+	100	+	100	+		100	+		100	+	sat	+
Petrol		+	100	+	100	O		-	100	+	100	O			100	+		+		-
Ether		-	100	O	100	-		-	100	O		+			100	+	100	+		-
Hexane		O		+	O	O						100	+		100	+	100	+		-
Oil and greases		+	100	+	100	+		O	100	+	100	O			100	+	100	+		-
Aromatic hydrocarbon		O		-	-	-		-			+							+		-
Fuel oil		O	100	O	100	+		-	100	+	100	-			100	+	100	+		-
Naphthalene				100	O			-	100	+	100	-			100	+	100	+		
Nitrobenzene		-		-	100	-		-				100	O					O		-
Phenol		-		-	sat	O		-	20	O		sat	+					-	10	O
Mineral salts				+	+	+		+	+	+	+	+						+		+
Iodine solution				O		-		+												
Toluene		-		-	100	-		-	+			O	100	O		-	100	+	100	+
Trichloroethylene		-		-	100	-		-	-			-	100	O		-	100	-	100	O
Urea				sat	+	sat	+	+				sat	+				10	+	sat	+
																			sat	O

For other chemical agents, please contact us.

All this information is taken from the best sources and provided for information purposes only, with no commitment on our behalf.

13934

13934..... 20, 36

ENN

ENN02290.....	22
ENN05001.....	13, 16
ENN05002.....	13, 16
ENN05003.....	13, 16
ENN05004.....	13, 16
ENN05005.....	13, 16
ENN05007.....	13, 16
ENN05010.....	13, 16
ENN05013.....	13, 16
ENN05017.....	13, 16
ENN05019.....	13, 16
ENN05032.....	13, 16
ENN05044.....	12, 17
ENN05045.....	12, 17
ENN05047.....	12, 17
ENN05050.....	12, 17
ENN05053.....	12, 17
ENN05057.....	12, 17
ENN05059.....	12, 17
ENN05082.....	12, 17
ENN05083.....	12, 17
ENN05084.....	12, 17
ENN05085.....	12, 17
ENN05087.....	12, 17
ENN05090.....	12, 17
ENN05093.....	12, 17
ENN05097.....	12, 17
ENN05099.....	12, 17
ENN05164.....	13, 18
ENN05165.....	13, 18
ENN05167.....	13, 18
ENN05174.....	12, 18
ENN05175.....	12, 18
ENN05177.....	12, 18
ENN05204.....	13, 16
ENN05205.....	13, 16
ENN05264.....	13, 18
ENN05265.....	13, 18
ENN05267.....	13, 18
ENN08131.....	20
ENN08132.....	20
ENN08162.....	20
ENN08167.....	20
ENN08241.....	21
ENN08271.....	22
ENN08276.....	22

IMT

IMT05021.....	13, 16
IMT05022.....	13, 16
IMT05023.....	13, 16
IMT05024.....	13, 16
IMT05025.....	13, 16
IMT05064.....	12, 17
IMT05065.....	12, 17
IMT05072.....	13, 16
IMT34000.....	21, 37
IMT34001.....	21, 37
IMT34002.....	21, 37
IMT34003.....	21, 37
IMT34005.....	21, 37
IMT34007.....	21, 37
IMT34009.....	21, 37
IMT36089.....	21
IMT36130.....	20, 34
IMT36131.....	20, 34
IMT36150.....	19, 34

IMT36151	19
IMT36152	19
IMT36153	19
IMT36154	19
IMT36155	19
IMT36156	19, 35
IMT36157	19, 35
IMT36158	19, 35
IMT36159	19, 35
IMT36160	19, 35
IMT36161	19
IMT36162	19
IMT36163	19
IMT36164	19
IMT36165	19
IMT36166	19
IMT36167	19, 35
IMT36168	19, 35
IMT36169	19, 35
IMT36170	19, 35
IMT36171	19, 35
IMT36179	20, 34
IMT36180	20, 34
IMT36181	20, 34
IMT36182	20, 34
IMT36183	20, 34
IMT36184	20, 34
IMT36185	20, 34

ISM

ISM71071	20, 34
ISM71072	20, 34
ISM71073	20, 34
ISM71074	20, 34
ISM71501	19, 34
ISM71502	19, 34
ISM71503	19, 34
ISM71504	19, 34
ISM71505	19, 34
ISM71506	19, 34

NSY

NSYAEDH20TB	38
NSYAEDH40TB	38
NSYAEDKTB	36
NSYAEDS20TB	36
NSYAEDS40TB	36
NSYAEDS60TB	36
NSYAEDSB320TB	36
NSYAEDSB520TB	36
NSYAEDST620TB	36
NSYAEDST820TB	36
NSYAEFTB	20, 38
NSYAMFEP154TB	40
NSYAMFEP204TB	40
NSYAMFEP304TB	40
NSYAMFESTB	40
NSYAMFET154TB	40
NSYAMFET204TB	40
NSYAMFET304TB	40
NSYAMFSTB	39, 40
NSYAMPA1916TB	39
NSYAMPA2419TB	39
NSYAMPA2924TB	39
NSYAMPA3429TB	39
NSYAMPM1916TB	39
NSYAMPM2419TB	39
NSYAMPM2924TB	39
NSYAMPM3429TB	39
NSYAMRD11155TB	22, 40
NSYAMRD11357TB	22, 40

NSYAMRD16155TB	22, 40
NSYAMRD16357TB	22, 40
NSYAMRD19155TB	22, 40
NSYAMRD19357TB	22, 40
NSYAMRD24155TB	22, 40
NSYAMRD24357TB	22, 40
NSYAMRD29155TB	22, 40
NSYAMRD29357TB	22, 40
NSYAMRD34155TB	22, 40
NSYAMRD34357TB	22, 40
NSYAMRD243515TB	40
NSYAMRD293515TB	40
NSYAMRD343515TB	40
NSYCAG12LPH1	36
NSYCAG12LPH2	36
NSYEC1	34
NSYEC2	34
NSYEC3	34
NSYEC4	34
NSYEC5	34
NSYEC6	34
NSYEC7	34
NSYECPC3	34
NSYECPC5	34
NSYECPC6	34
NSYECPC9	34
NSYECPC15	34
NSYBTP775	28, 32
NSYBTP885	28, 32
NSYBTP1176	28, 32
NSYBTP1397	28, 32
NSYBTP1397T	28, 32
NSYBTP11116	28, 32
NSYBTP16128	28, 32
NSYBTP16128T	28, 32
NSYBTP19128	28, 32
NSYBTP19128T	28, 32
NSYBTP19168	28, 32
NSYBTP19168T	28, 32
NSYBTP24198	28, 32
NSYBTP24198T	28, 32
NSYBTP29248	28, 32
NSYBTP29248T	28, 32
NSYBTP191210H	28, 32
NSYBTP191210HT	28, 32
NSYBTP191610H	28, 32
NSYBTP191610HT	28, 32
NSYBTP241910	28, 32
NSYBTP241910H	28, 32
NSYBTP241910HT	28, 32
NSYBTP241910T	28, 32
NSYBTP241912H	28, 32
NSYBTP241912HT	28, 32
NSYBTP292412	28, 32
NSYBTP292412H	28, 32
NSYBTP292412HT	28, 32
NSYBTP292412T	28, 32
NSYBTP292416H	28, 32
NSYBTP292416HT	28, 32
NSYBTP342912	28, 32
NSYBTP342912T	28, 32
NSYBTP342916H	28, 32
NSYBTP342916HT	28, 32
NSYBTPASBS	38
NSYBTS775	28, 31
NSYBTS885	28, 31
NSYBTS1176	28, 31
NSYBTS1179H	28, 31
NSYBTS1397	28, 31
NSYBTS1397T	28, 31
NSYBTS11116	28, 31
NSYBTS16128	28, 31

NSYTBS16128T	28, 31
NSYTBS19128	28, 31
NSYTBS19128T	28, 31
NSYTBS19168	28, 31
NSYTBS19168T	28, 31
NSYTBS24198	28, 31
NSYTBS24198T	28, 31
NSYTBS29248	28, 31
NSYTBS29248T	28, 31
NSYTBS111113H	28, 31
NSYTBS191210H	28, 31
NSYTBS191210HT	28
NSYTBS191610H	28, 31
NSYTBS191610HT	28
NSYTBS241910	28, 31
NSYTBS241910H	28, 31
NSYTBS241910HT	28
NSYTBS241910T	28, 31
NSYTBS241912H	28, 31
NSYTBS241912HT	28
NSYTBS292412	28, 31
NSYTBS292412H	28, 31
NSYTBS292412HT	28
NSYTBS292412T	28, 31
NSYTBS292416H	28, 31
NSYTBS292416HT	28
NSYTBS342912	28, 31
NSYTBS342912T	28, 31
NSYTBS342916H	28, 31
NSYTBS342916HT	28
NSYTRP22	37
NSYTRP22BL	37
NSYTRP22PE	37
NSYTRP42	37
NSYTRP42BL	37
NSYTRP42PE	37
NSYTRR22	37
NSYTRR22BL	37
NSYTRR22PE	37
NSYTRR42	37
NSYTRR42BL	37
NSYTRR42PE	37
NSYTRV22	37
NSYTRV22BL	37
NSYTRV22PE	37
NSYTRV44	37
NSYTRV44BL	37
NSYTRV44PE	37

WDE

WDE0000010	21
------------------	----

XAL

XALE2	29
XALE3	29
XALE2141	29
XALE3255	29
XALEK1702	29

Life Is On



Schneider Electric Industries SAS

35, rue Joseph Monier
CS 30323
92506 Rueil Malmaison Cedex
France

RCS Nanterre 954 503 439
Capital social 896 313 776 €
www.schneider-electric.com

03/2017
LSB02647EN

© 2017 - Schneider Electric. All Rights Reserved.
All trademarks are owned by Schneider Electric Industries SAS or its affiliated companies.

This document has been
printed on recycled paper

