

Legerity Splitter Inductors



- For use with Legerity SLIC Chipsets
- Excellent Longitudinal Balance

Electrical Specifications @ 25°C - Operating Temperature -40°C to +125°C

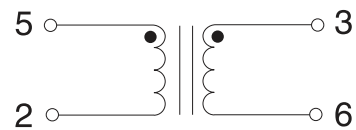
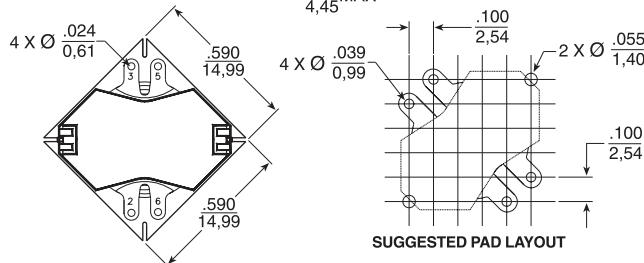
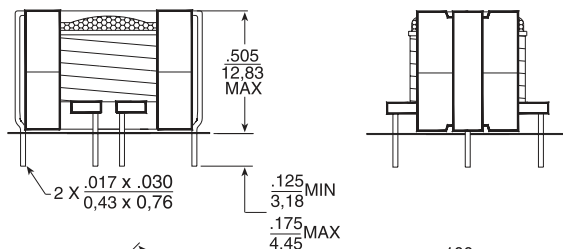
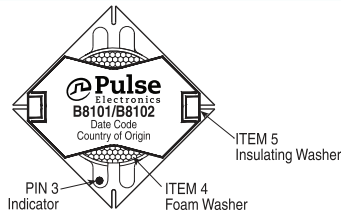
Part Number	Inductance (2-5) (mH) 20 kHz, 0.1 Vac 0 mAdc TYP	DC Resistance (each winding) (W MAX)	Isolation Voltage (between windings) (Vac)	Mounting
B8101	7.0	11.0	1000	THT
B8102	9.35	13.6	1000	THT
B8103	4.0 (Note 1)	10.0	1000	SMT
B8104	9.35	32.0	1000	THT
B8106	7.0	14.1	1000	THT
B8107	9.35	26.0	1000	THT
B8176	4.0	10.0	1000	THT
BX8266L	32 (Note 2)	15	600 (Note 3)	SMT
BX8267L	16 (Note 2)	15	600 (Note 3)	SMT

Notes: 1.) pins 2-6 (applies to B8103) 2.) pins 1-5 with pins 4 & 8 shorted @ 0 mA (applies to BX8266L and BX8267L) 3.) AC applied for 1 second

Mechanical

Schematic

B8101 / B8102



Weight7.5 grams

Tray100/tray

Dimensions: $\frac{\text{Inches}}{\text{mm}}$

Unless otherwise specified,
all tolerances are $\pm \frac{.010}{0.25}$

USA 858 674 8100

Germany 49 7032 7806 0

Singapore 65 6287 8998

Shanghai 86 21 62787060

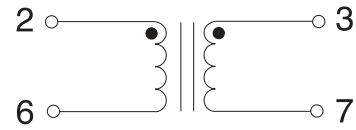
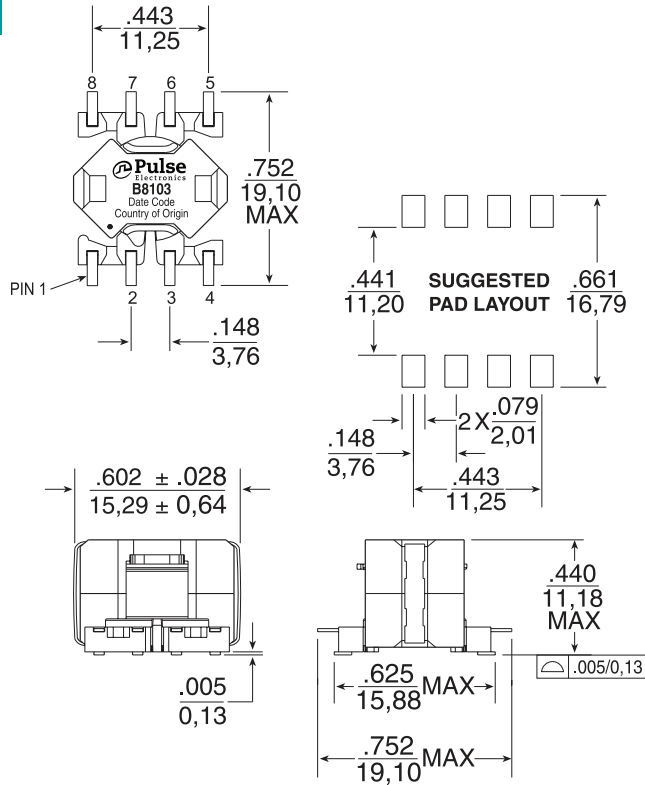
China 86 755 33966678

Taiwan 886 3 4356768

Mechanicals

Schematics

B8103



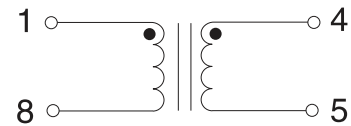
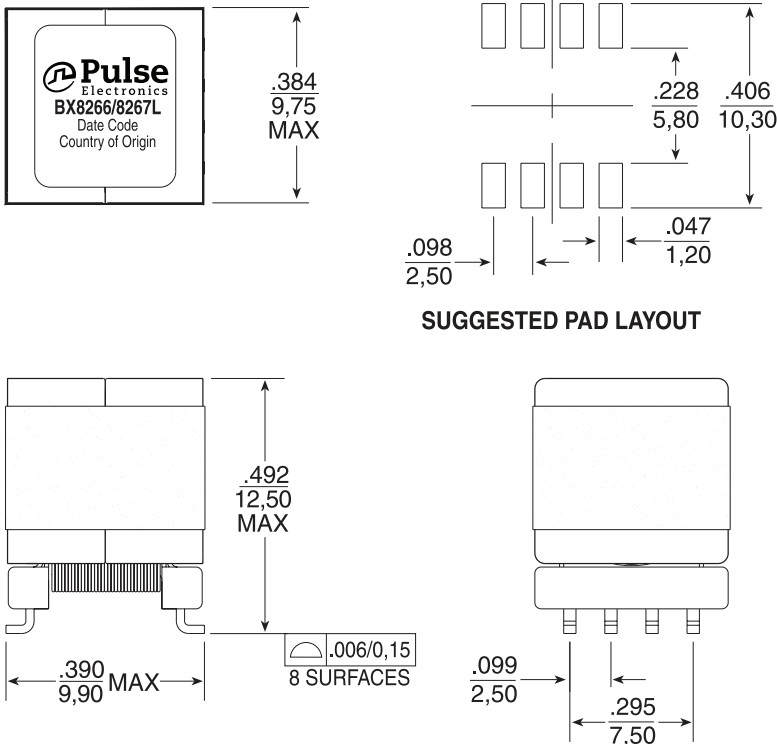
Weight25 grams

Tray60/tray

Dimensions: $\frac{\text{Inches}}{\text{mm}}$

Unless otherwise specified,
all tolerances are $\pm \frac{.010}{0,25}$

BX8266L / BX8267L



Weight3.4 grams

Tray90/tray

Dimensions: $\frac{\text{Inches}}{\text{mm}}$

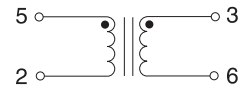
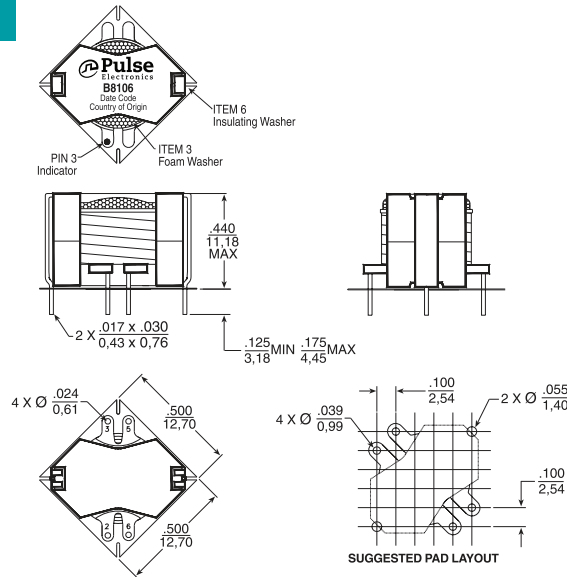
Unless otherwise specified,
all tolerances are $\pm \frac{.010}{0,25}$

Legerity Splitter Inductors

Mechanicals

Schematics

B8106 / B8104 / B8176

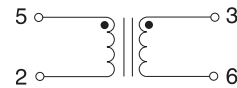
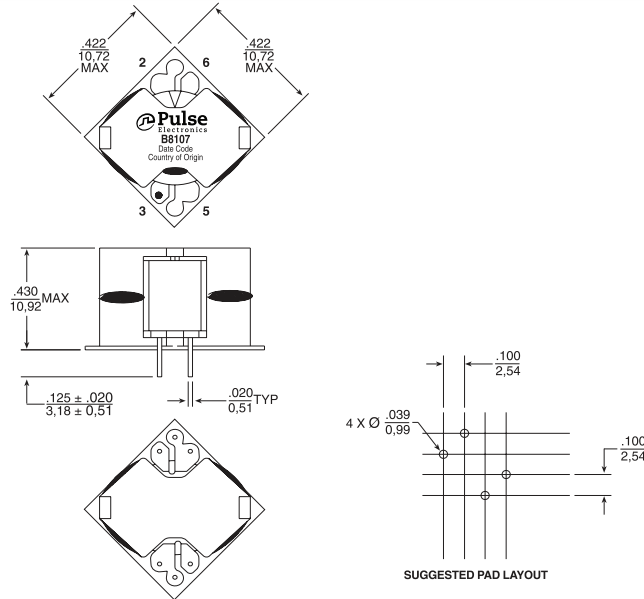


Weight2.5 grams
Tray80/tray

Dimensions: $\frac{\text{Inches}}{\text{mm}}$

Unless otherwise specified,
 all tolerances are $\pm \frac{.010}{0,25}$

B8107



Weight3.0 grams
Tray75/tray

Dimensions: $\frac{\text{Inches}}{\text{mm}}$

Unless otherwise specified,
 all tolerances are $\pm \frac{.010}{0,25}$

For More Information

Pulse Worldwide Headquarters
 12220 World Trade Drive
 San Diego, CA
 92128
 U.S.A.

Pulse Europe
 Einsteinstrasse 1
 D-71083 Herrenberg
 Germany
 Tel: 49 7032 78060
 Fax: 49 7032 7806 135

Pulse China Headquarters
 B402, Shenzhen Academy of
 Aerospace Technol-
 ogy Bldg.
 10th Kejinan Road
 High-Tech Zone
 Nanshan District
 Shenzhen, PR China
 518057
 Tel: 86 755 3396678
 Fax: 86 755 33966700

Pulse North China
 Room 2704/2705
 Super Ocean Finance
 Ctr.
 2067 Yan An Road
 West
 Shanghai 200336
 China
 Tel: 86 21 62787060
 Fax: 86 2162786973

Pulse South Asia
 135 Joo Seng Road
 #03-02
 PM Industrial Bldg.
 Singapore 368363
 Tel: 65 6287 8998
 Fax: 65 6287 8998

Pulse North Asia
 3F, No. 198
 Zhongyuan Road
 Zhongli City
 Taoyuan County 320
 Taiwan R. O. C.
 Tel: 886 3 4356768
 Fax: 886 3 4356823 (Pulse)
 Fax: 886 3 4356820 (FRE)

Performance warranty of products offered on this data sheet is limited to the parameters specified. Data is subject to change without notice. Other brand and product names mentioned herein may be trademarks or registered trademarks of their respective owners. © Copyright, 2012. Pulse Electronics, Inc. All rights reserved.