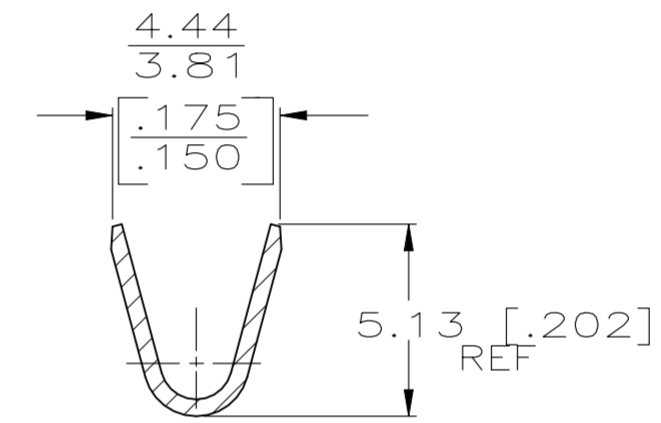
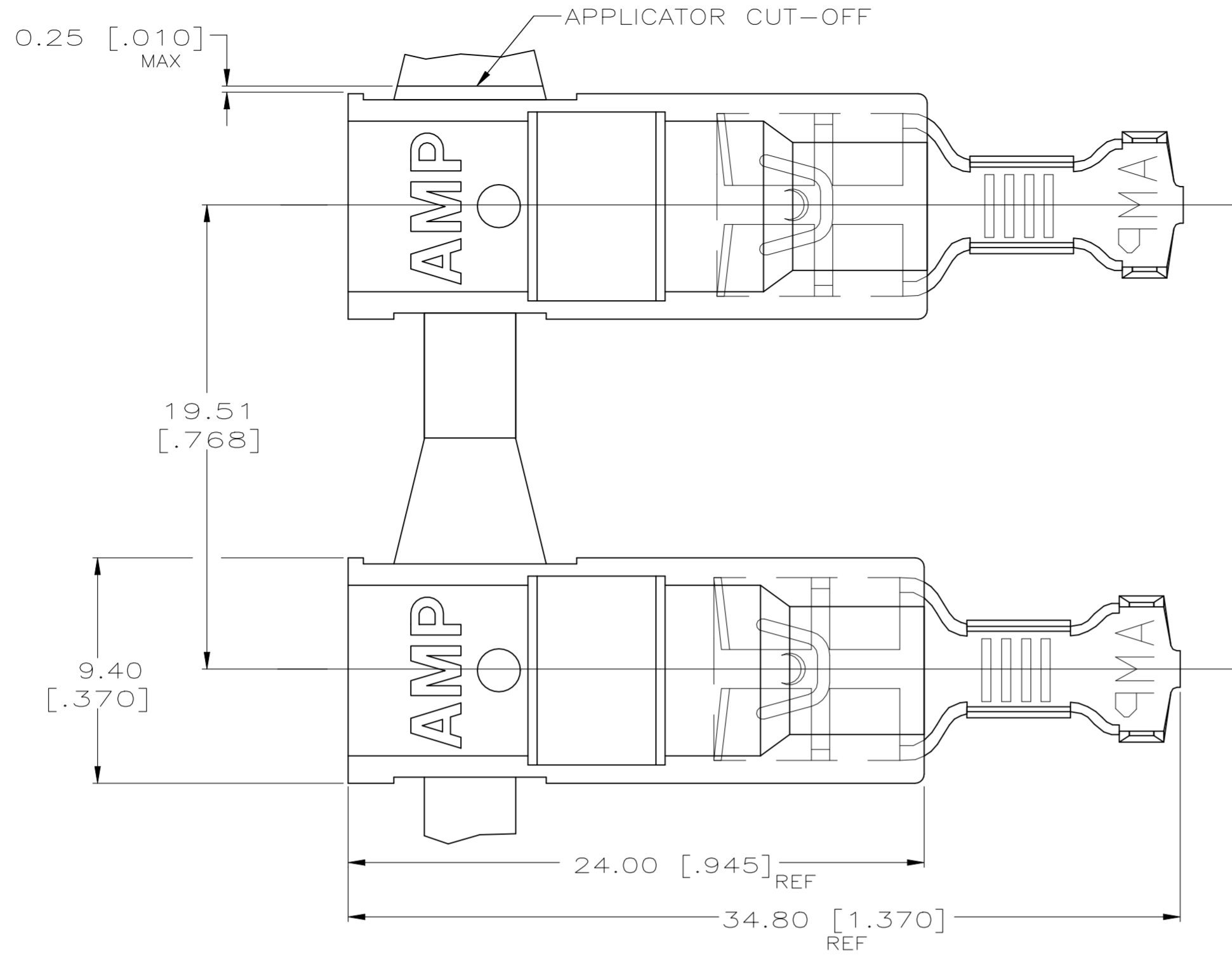
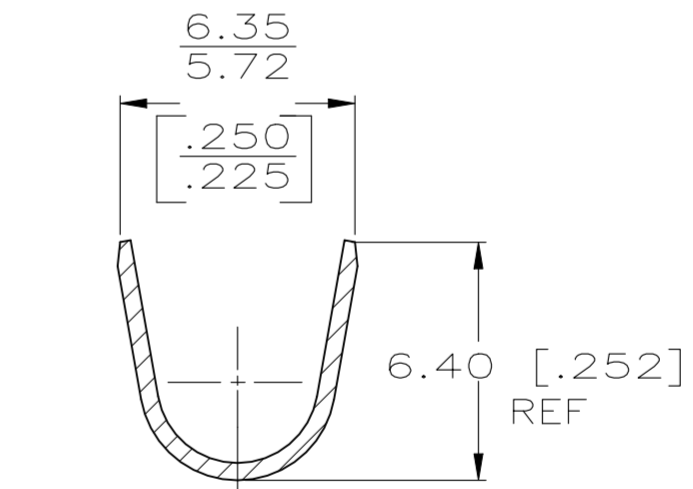
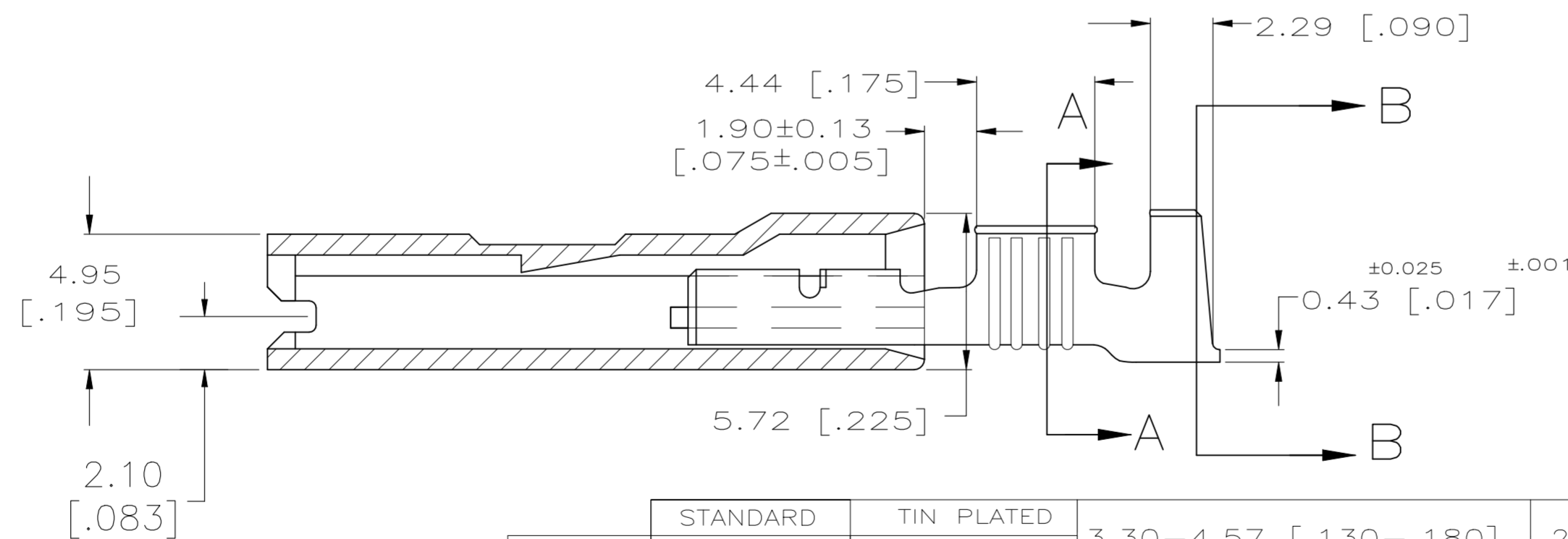


REVISIONS					
P	LTR	DESCRIPTION	DATE	DWN	APVD
B2		REVISED PER ECR-22-160893	14DEC2022	DB	BW



SECTION A-A



SECTION B-B

SUPERSEDED	STANDARD	TIN PLATED	3.30-4.57 [.130-.180]	2.0-5.0 mm [14-10]	0.813 [.032]	521366-2
	-STANDARD	-PLAIN-				-521366-1
	PACKAGING	TERMINAL FINISH	INSULATION RANGE	WIRE SIZE	MATING TAB THK±0.025[±.001]	PART NO

1 LOW-INSERTION FASTON TERMINALS, BASE P/N 63639, ARE USED IN THIS PRODUCT.

THIS DRAWING IS A CONTROLLED DOCUMENT.		DWN	JR RUTH	22NOV00	 TE Connectivity		
DIMENSIONS: mm [INCHES]		CHK	MS FEHER	22NOV00			
TOLERANCES UNLESS OTHERWISE SPECIFIED:		APVD	J HUMMEL	22NOV00			
0 PLC ± - 1 PLC ± - 2 PLC ± - 3 PLC ± 0.25 [.010] 4 PLC ± - ANGLES ± -		PRODUCT SPEC	108-1285				
MATERIAL	HSG - 6/6 V0 NYLON TERMINAL - BRASS	FINISH	HOUSING - NATURAL TERMINAL - SEE TABLE		NAME	ASSEMBLY, RECEPTACLE, ULTRA-POD, 6.35 [.250] SERIES	
CUSTOMER DRAWING		WEIGHT	0.000000		SIZE	CAGE CODE	DRAWING NO
		SCALE		5:1	SHEET	1 OF 1	
		REV		B2			