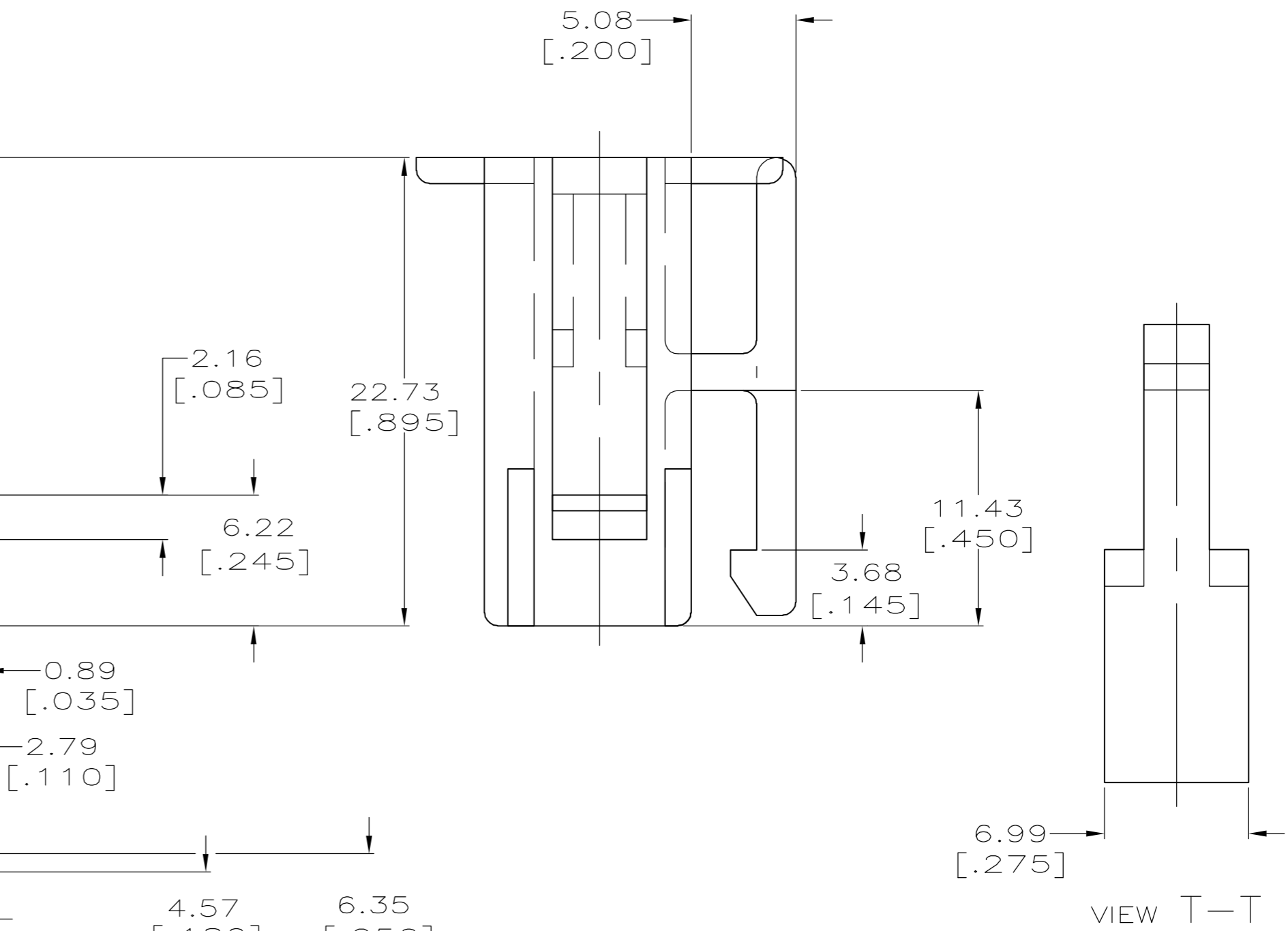
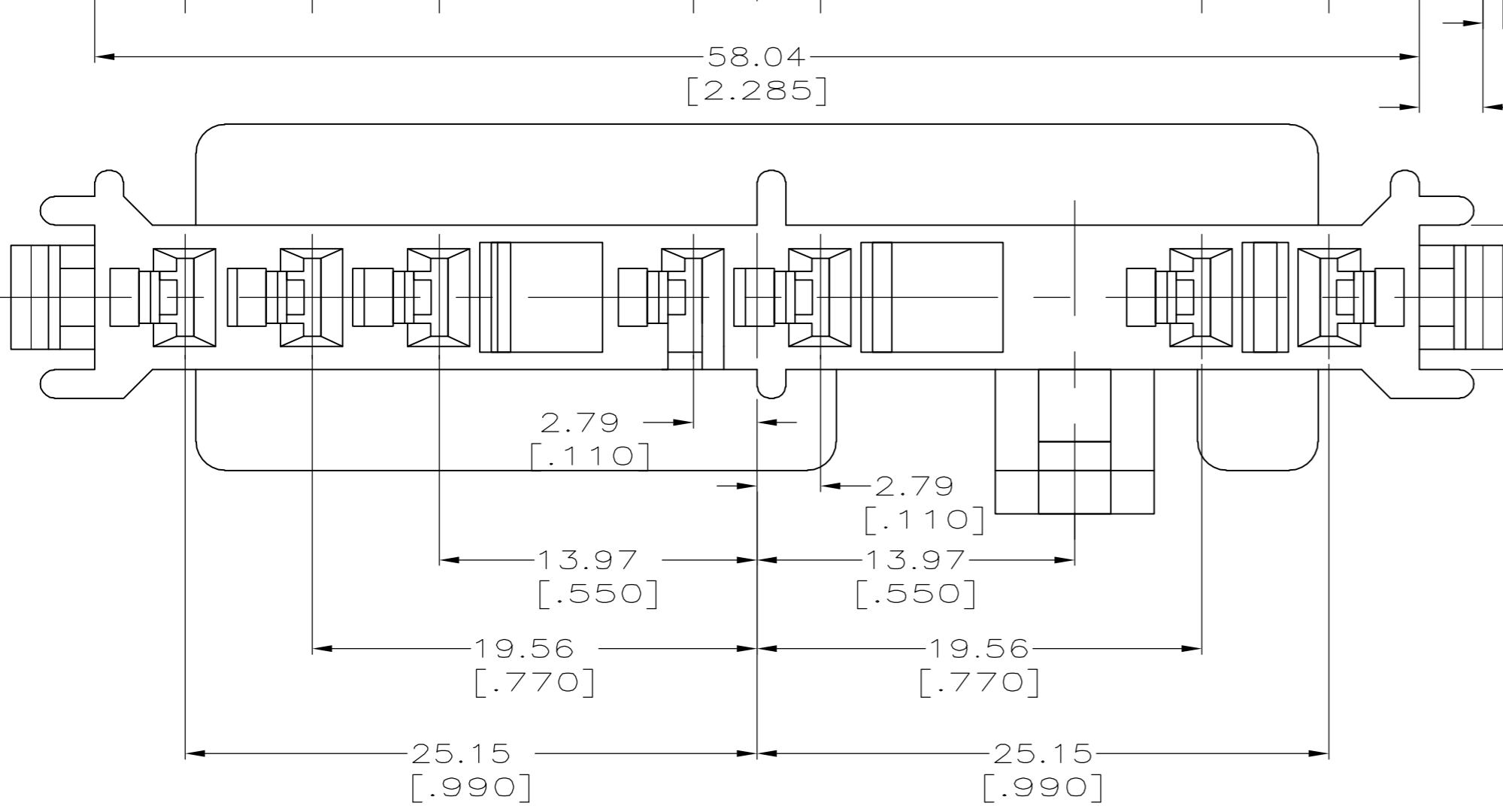
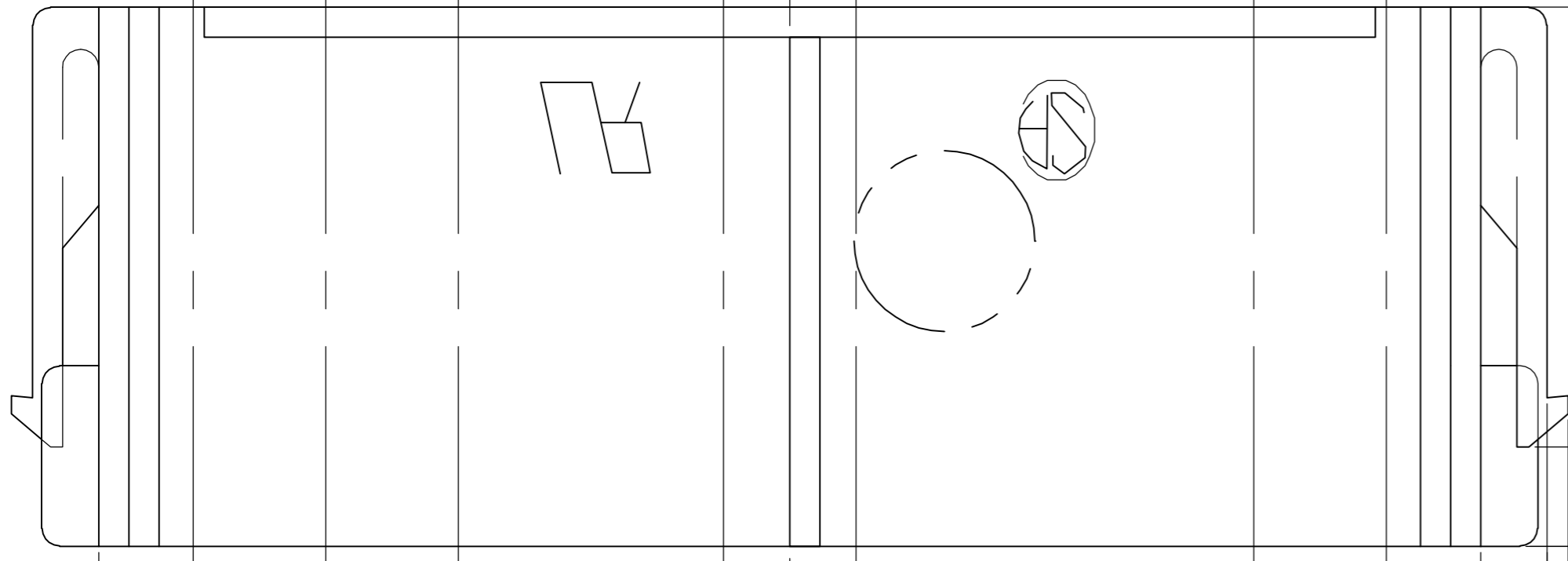
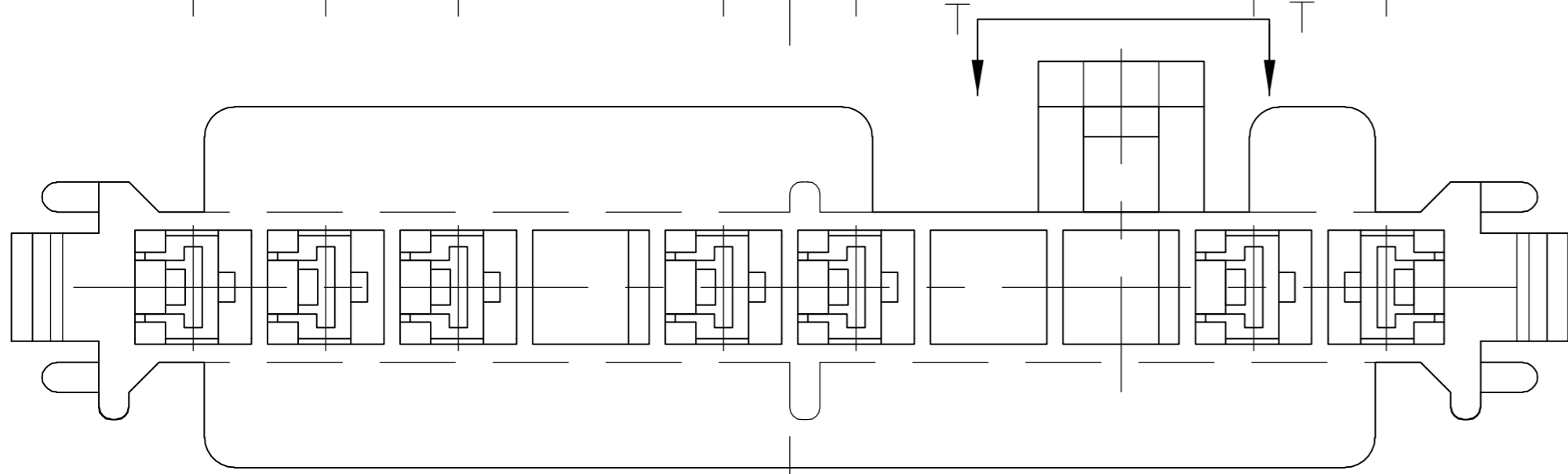
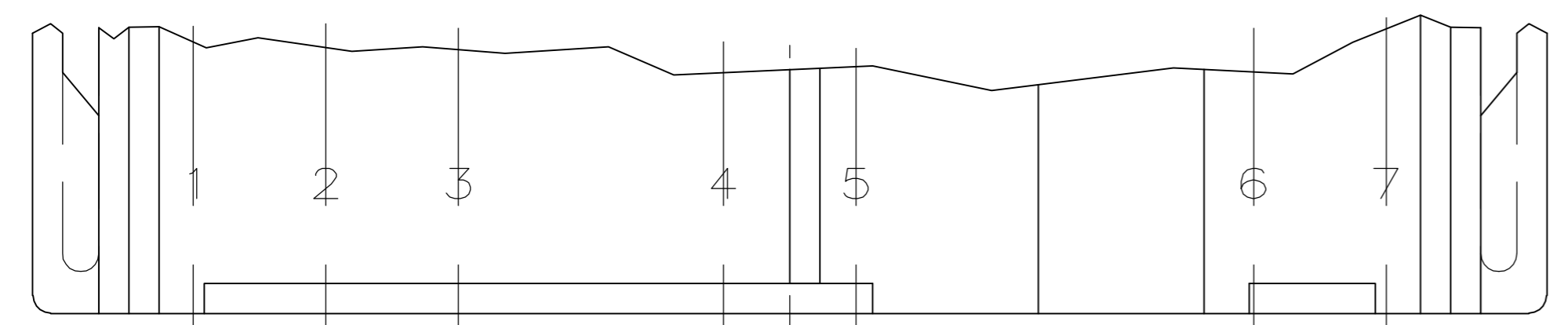


THIS DRAWING IS UNPUBLISHED. RELEASED FOR PUBLICATION
 © COPYRIGHT BY TYCO ELECTRONICS CORPORATION. ALL RIGHTS RESERVED.

LOC	DIST	REVISIONS					
AF	50	P	LTR	DESCRIPTION	DATE	DWN	APVD
		C		REV PER 0G3A-0026-04	21JAN2004	RF	DD

1 HOUSING ACCEPTS (7) 3.18 [.125] BLADE RECEPTACLES
 AMP P/N 770642-1.



VIEW T-T

THIS DRAWING IS A CONTROLLED DOCUMENT.		DWN	02/OCT/96	tyco Electronics	Tyco Electronics Corporation	
		CHK	02/OCT/96		Lickdale, PA 17038	
DIMENSIONS: INCHES		TOLERANCES UNLESS OTHERWISE SPECIFIED:		NAME		
0 PLC ± -		1 PLC ± -		MOTOR HOUSING, 7 CIRCUIT		
2 PLC ± 0.25 [.010]		3 PLC ± -		-		
4 PLC ± -		ANGLES ± 1°		-		
MATERIAL		FINISH		SIZE	CAGE CODE	DRAWING NO
6/6 NYLON		COLOR-NATURAL		A2	00779	C=521090
CUSTOMER DRAWING				WEIGHT	-	RESTRICTED TO
				SCALE	4:1	SHEET 1 OF 1
				REV C		