

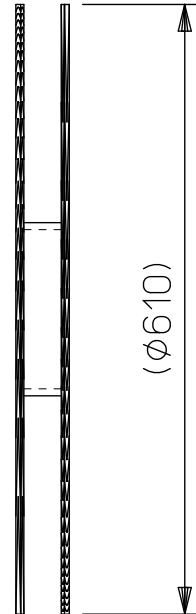
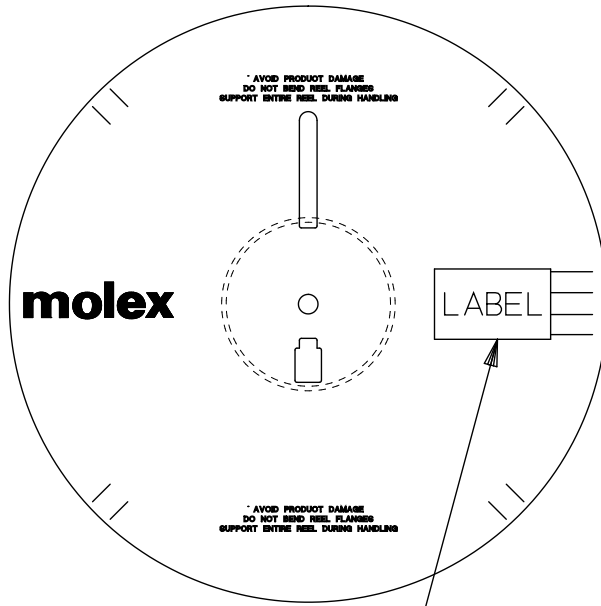
1. 製品名称／PRODUCT NAME : MICRO-LOCK PLUS 2.0 W/B RECEPTACLE CRIMP TERMINAL
 製品番号／PART NUMBER : 5 0 5 5 7 2 1 0 0 0、5 0 5 5 7 2 1 1 0 0
 5 0 5 5 7 2 1 2 0 0、5 0 5 5 7 2 1 3 0 0

2. 標準梱包数／STANDARD PACKAGING QUANTITY.

1 リールの巻き数 QTY. PER REEL	カートン中のリール数 NUMBER OF REELS	1 カートンの製品数 QUANTITY IN ONE CARTON
15,000	4	60,000

3. リール外形参考寸法／REEL OUTER DIMENSIONS (REFERENCE PURPOSE ONLY)

単位／UNIT: mm

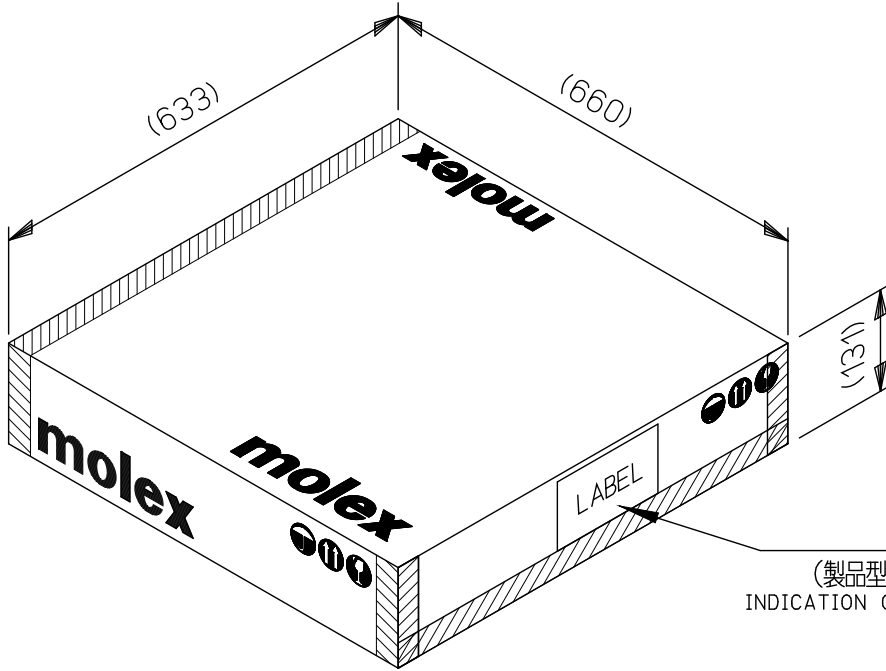


現品票
 PART IDENTIFICATION LABEL
 (製品型番, 数量, ロットNO. 表示)
 INDICATION OF PART No., QUANTITY, LOT No.

THIS DOCUMENT CONTAINS INFORMATION THAT IS PROPRIETARY TO MOLEX ELECTRONIC TECHNOLOGIES, LLC AND SHOULD NOT BE USED WITHOUT WRITTEN PERMISSION

REVISION DESCRIPTION		REVISED		SALES PACKAGING SPECIFICATION FOR 505572			
CHANGE NO.	742072						
REVISED BY	YTOKUZONO	DATE	2020/01/07	DOC TYPE	DOC TYPE DESCRIPTION	DOC PART	SERIES
REV APPR BY	HSHIMOYAMA	DATE	2023/03/15	PS	ENGINEERING SPECIFICATION WORD	200	505572
INITIAL RELEASE				CUSTOMER	DOCUMENT NUMBER	REVISION	SHEET
INITIAL DRWN	YTOKUZONO	DATE	2016/04/01	GENERAL	5055729200	B	1 OF 2
INITIAL APPR	YOITO	DATE	2016/04/05				

4. カートン外形参考寸法 / CARTON OUTER DIMENSIONS (REFERENCE PURPOSE ONLY) 単位 / UNIT: mm



カートンラベル
CARTON LABEL

(製品型番, 数量, ロットNO. 表示)
INDICATION OF PART No., QUANTITY, LOT No.

THIS DOCUMENT CONTAINS INFORMATION THAT IS PROPRIETARY TO MOLEX ELECTRONIC TECHNOLOGIES, LLC AND SHOULD NOT BE USED WITHOUT WRITTEN PERMISSION

REVISION DESCRIPTION	REVISED			SALES PACKAGING SPECIFICATION FOR 505572			
CHANGE NO.	742072						
REVISED BY	YTOKUZONO	DATE	2020/01/07	DOC TYPE	DOC TYPE DESCRIPTION	DOC PART	SERIES
REV APPR BY	HSHIMOYAMA	DATE	2023/03/15	PS	ENGINEERING SPECIFICATION WORD	200	505572
INITIAL RELEASE				CUSTOMER	DOCUMENT NUMBER	REVISION	SHEET
INITIAL DRWN	YTOKUZONO	DATE	2016/04/01	GENERAL	5055729200	B	2 OF 2
INITIAL APPR	YOITO	DATE	2016/04/05				