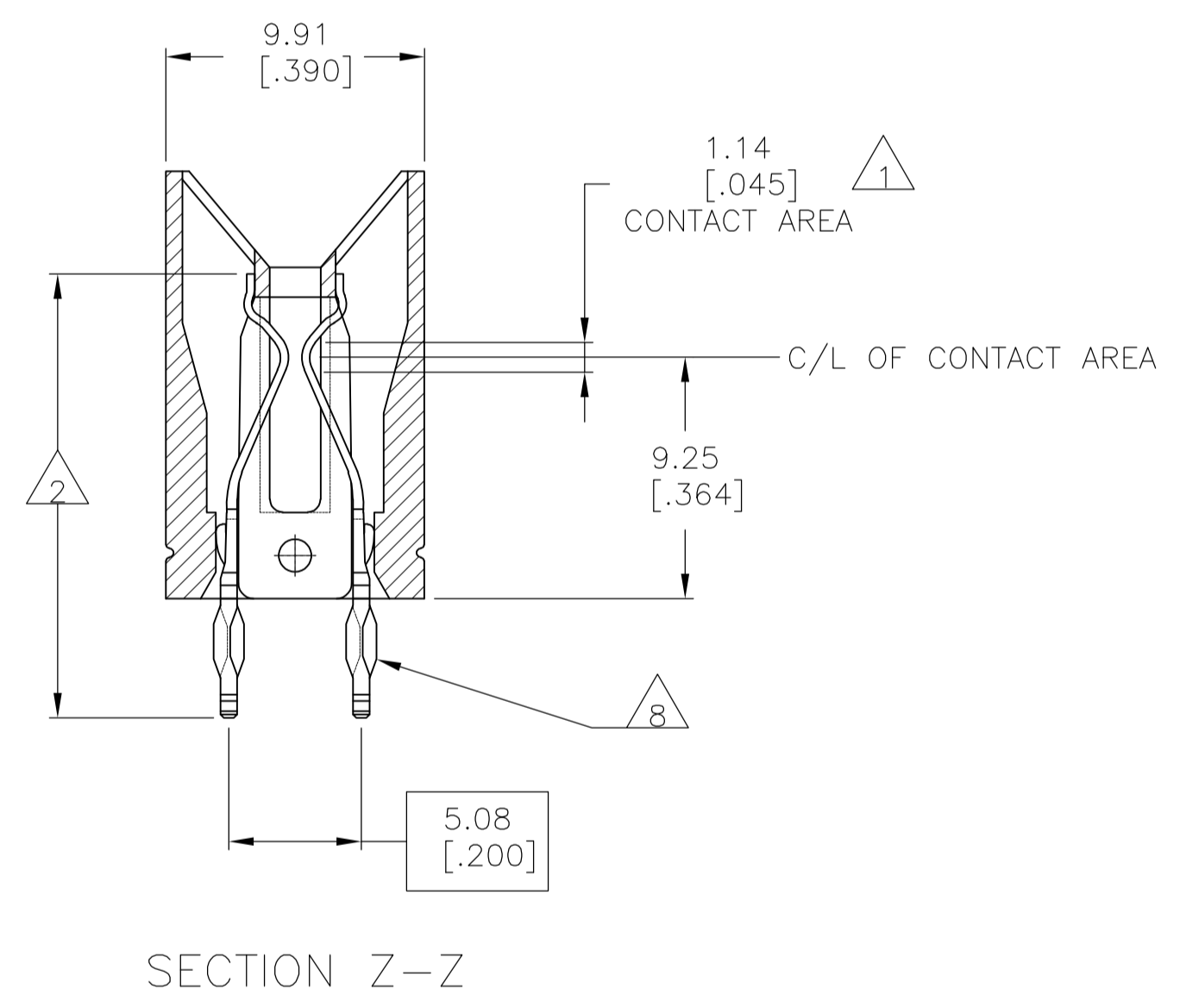
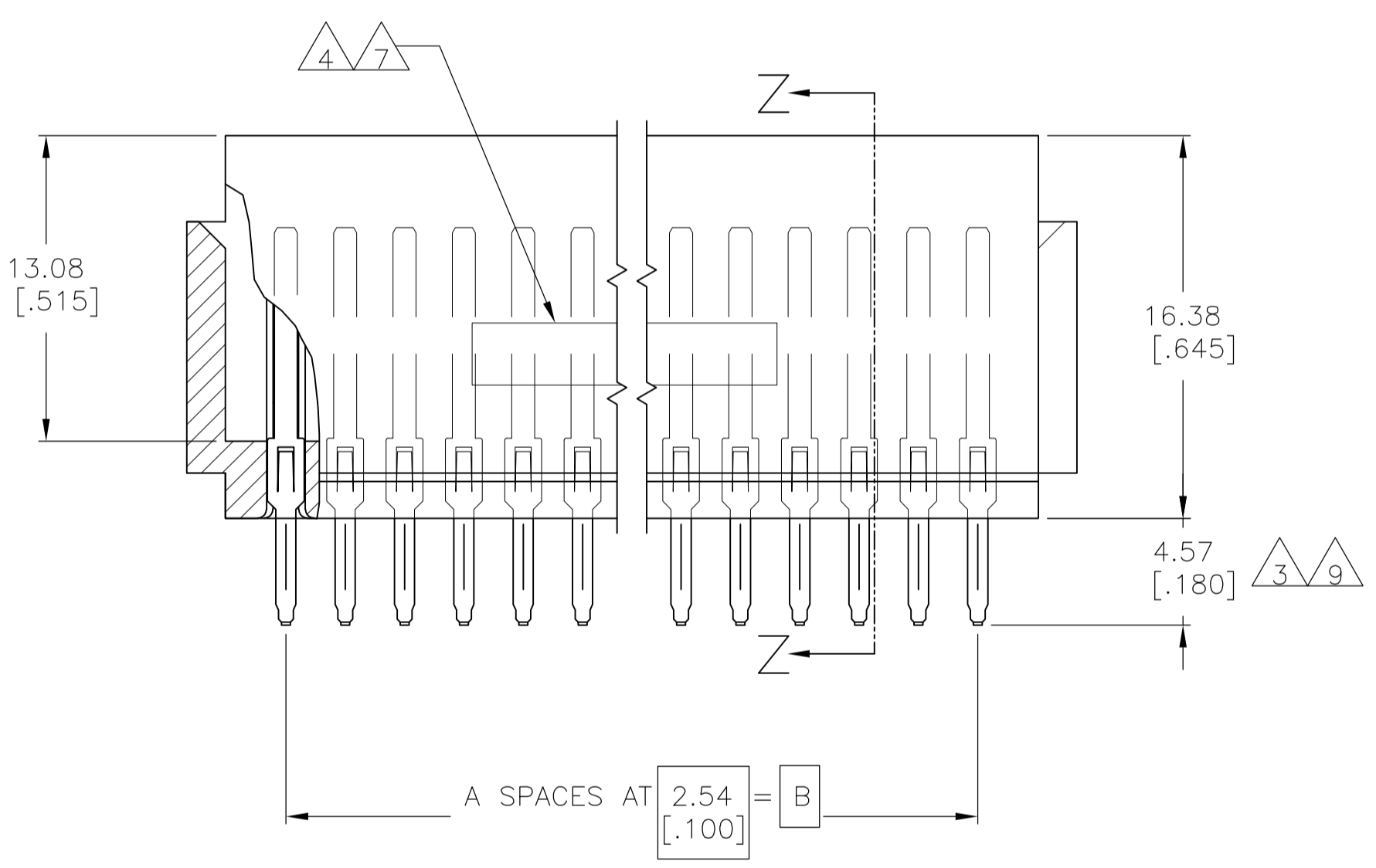
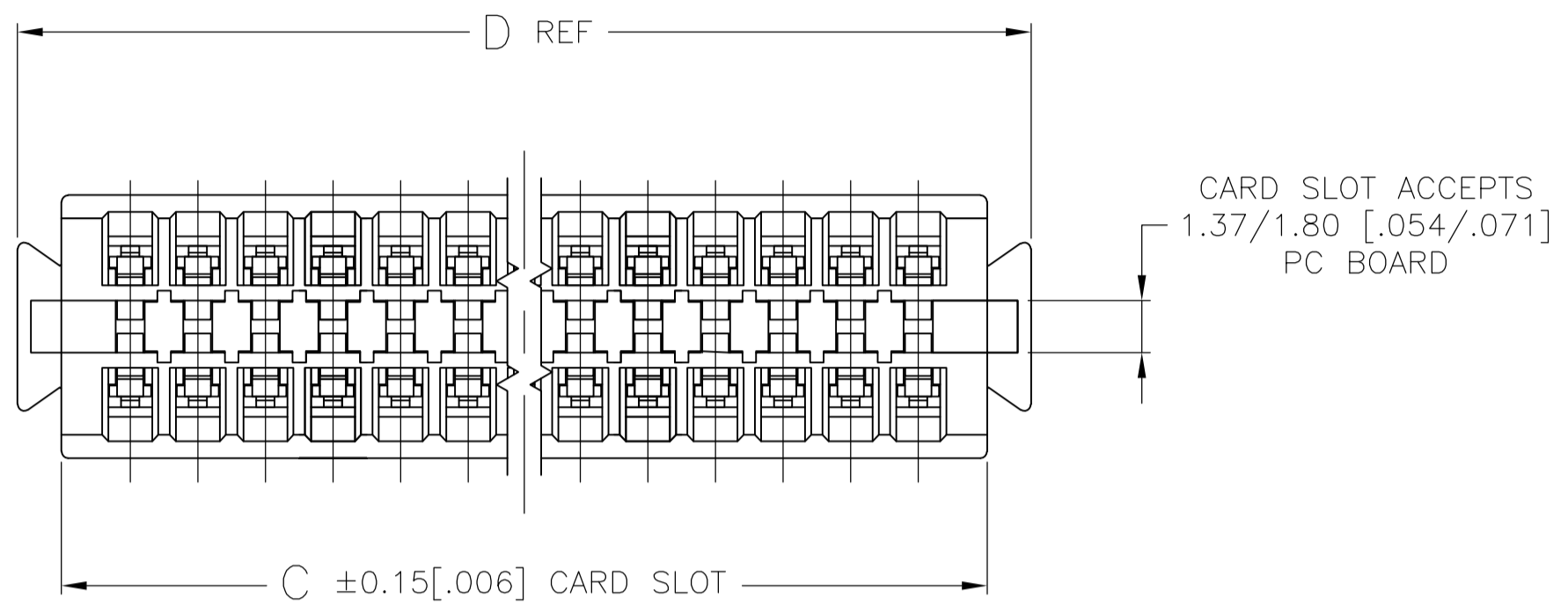


REVISIONS					
P	LTR	DESCRIPTION	DATE	DMN	APVD
D		REVISED PER ECO-17-002617	27FEB2017	SY	SY



- 1 GOLD PL .00076[.000030] MIN THK PER MIL-G-45204
- 2 NICKEL PL .00127[.000050] MIN THK PER QQ-N-290
- 3 SOLDER PL .00076[.000030] MIN THK
- 4 STAMPED P/N & DATE CODE.
- 5. OPTIONAL: KEYING PLUG FOR INTERCONTACT KEYING IS 118982-1
- 6. OPTIONAL: CARD GUIDE (BASE NO 117169)
- 7 ALL PARTS ASSEMBLED IN MEXICO MUST BE STAMPED "ASSY IN MEXICO". THE WORD "MEXICO" CAN BE SUBSTITUTED ONLY WHERE PART SIZE PROHIBITS STAMPING "ASSY IN MEXICO", INK COLOR WHITE PER 115-9009, APPROX WHERE SHOWN, SIDE OPTIONAL.
- 8 ACTION PIN REQUIRES 2.13[.084] MIN THK PC BOARD.
- 9 MATTE TIN PL .00076[.000030] MIN THK

REQ'D DRILL SIZE	HOLE DIA ±.03[.001]	PLATING THICKNESS		HOLE DIAMETER		COPPER HARDNESS (KNOOP)	PAD DIA MIN
		COPPER	TIN	AFTER PLATING	AFTER REFLOW		
1.15mm	1.15 [.0453]	0.03-0.08 [.001-.003]	0.008 MIN [.0003] MIN	0.94-1.09 [.037-.043]	0.914-1.09 [.0036-.043]	150 MAX	1.57 [.062]
1.15mm	1.15 [.0453]	NOT PLATED THRU					1.65 [.065]

31.34 [1.234]	28.04 [1.104]	22.86 [.900]	9	10	5-650297-1	
OBsolete	31.34 [1.234]	28.04 [1.104]	22.86 [.900]	9	10	650297-1
D	C	B	A	POSN	PART NO	

THIS DRAWING IS A CONTROLLED DOCUMENT.

DIMENSIONS: mm [INCHES]

TOLERANCES UNLESS OTHERWISE SPECIFIED:

0 PL	± -
1 PL	± -
2 PL	± -
3 PL	± 0.25 [.010]
4 PL	± -
ANGLES	± -

MATERIAL: HOUSING: VALOX 420 SED, BLUE CONTACT: COPPER NICKEL

FINISH: 1 2 3

DIN: H. BAKERMANS 15-FEB-93

CHK: H. ROSE 19-AUG-94

APVD: H. ROSE 19-AUG-94

NAME: H. ROSE

PRODUCT SPEC: PRODUCT SPEC

APPLICATION SPEC: 114-26002

WEIGHT: 0.000000

CUSTOMER DRAWING

SCALE: 4:1

SHEET 1 OF 1

REV D