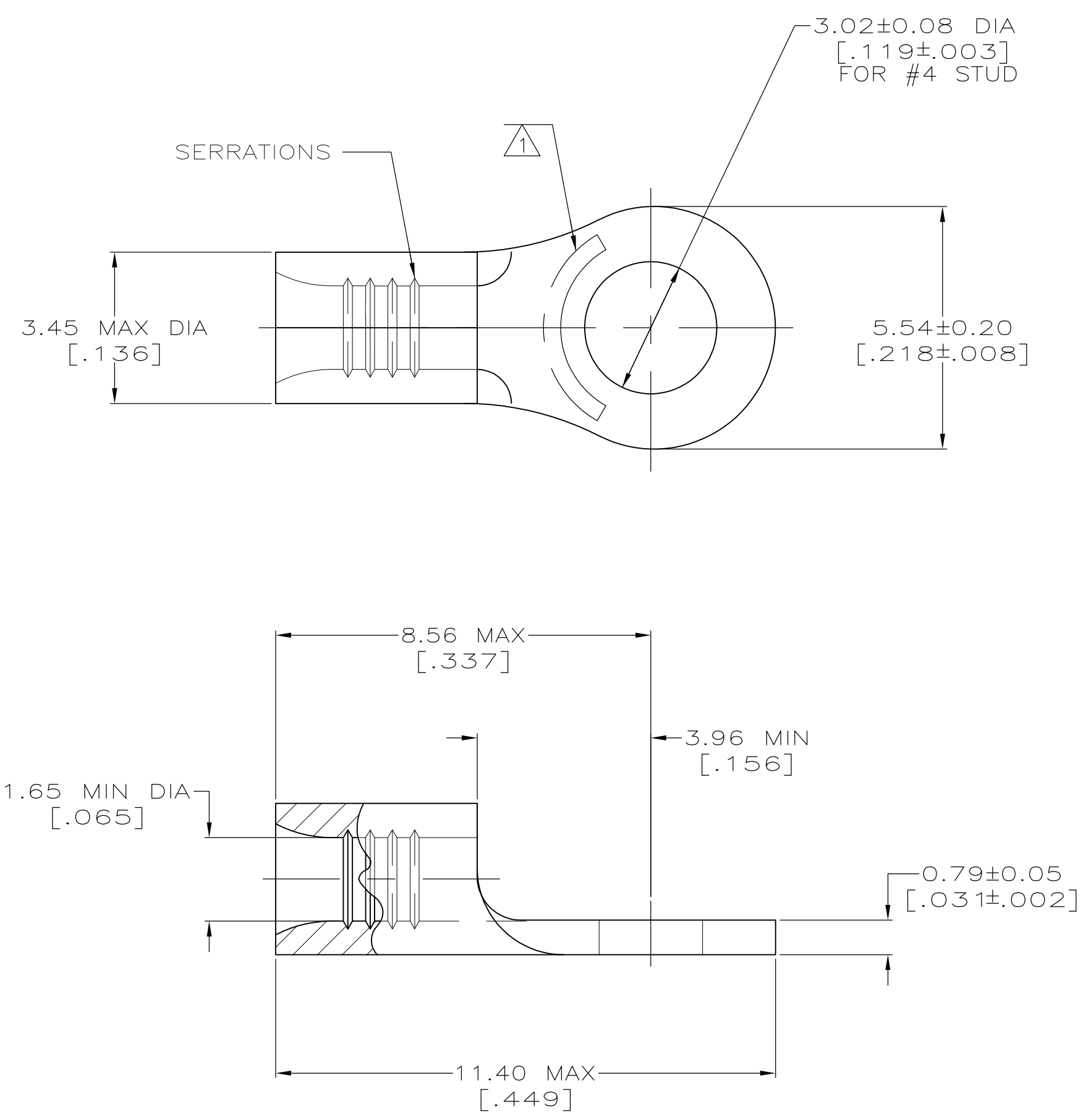


**METRIC**  
 DIMENSIONS LISTED IN mm [ INCHES ]



<b>AMP</b> WIRE RANGE	E13288 Listed
22-16 AWG STRANDED	22-16 AWG STRANDED
LR7189 Certified	MILITARY P/N AND CLASS
NOT CERTIFIED	NOT APPLICABLE

△ STAMP AMP 22-18\* APPROX AS SHOWN  
 22-16 TERMINALS ARE STAMPED 22-18 IN  
 ACCORDANCE WITH MILITARY SPECIFICATION  
 MIL-T-7928; COMMERCIAL WIRE RANGE IS 22-16

**AMP INCORPORATED  
 CUSTOMER SERVICE SYSTEMS**

MAX RECOMMENDED OPERATING  
 TEMPERATURE:  
 170° C MAX

FOR ADDITIONAL  
 PRODUCT INFORMATION OR  
 COPIES OF DRAWINGS  
 AND TECHNICAL DOCUMENTS

PRODUCT INFORMATION CENTER  
 1-800-522-6752

VOLTAGE RATING:  
 NOT APPLICABLE

FOR APPLICATION  
 TOOLING INFORMATION

TOOLING ASSISTANCE CENTER  
 1-800-722-1111

WIRE CROSS SECTIONAL AREA RANGE:  
 0.26-1.65mm<sup>2</sup> [509-3,260] CIR MILS  
 STRANDED

FOR ORDER ENTRY

1-800-526-5142

THIS DRAWING IS A CONTROLLED DOCUMENT FOR  
 AMP INCORPORATED. IT IS SUBJECT TO CHANGE  
 AND THE CONTROLLING ENGINEERING ORGANIZATION  
 SHOULD BE CONTACTED FOR THE LATEST REVISION.

5000	ON TAPE	3-31089-6
----	LOOSE PIECE	31089
QUANTITY	PACKAGE TYPE	PART NO

THIS DRAWING IS A CONTROLLED DOCUMENT.		DWN	TA BRINKMAN	2-2-93	TE Connectivity
		CHK	DA PATTERSON	2-2-93	
		APVD	DE MILLER	2-2-93	
		PRODUCT SPEC			
NAME		TERMINAL, RING TONGUE, BUDGET			
DIMENSIONS: MM[INCHES]		TOLERANCES UNLESS OTHERWISE SPECIFIED:		SIZE	
0 PLC ± -		1 PLC ± -		CAGE CODE	
2 PLC ± -		3 PLC ± -		DRAWING NO	
4 PLC ± -		ANGLES ± ± -		RESTRICTED TO	
MATERIAL COPPER PER ASTM B-152 ANNEALED		FINISH TIN PLATE 0.00254[.000100] MIN THK PER MIL-T-10727		A2 00779	
		WEIGHT		G-31089	
		CUSTOMER DRAWING		SCALE 10:1 SHEET 1 of 1 REV D1	