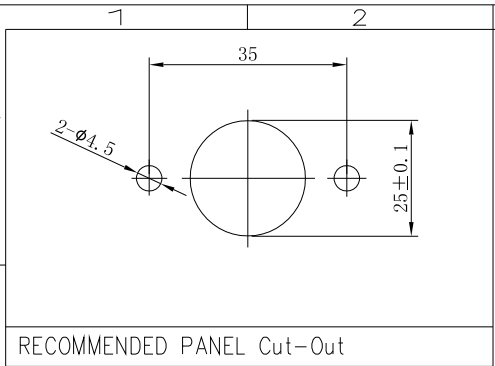
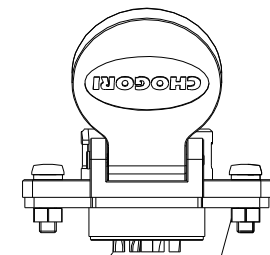
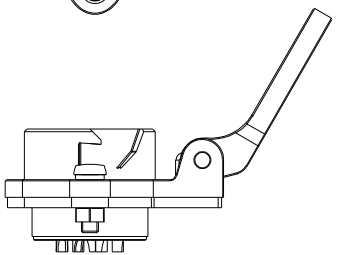
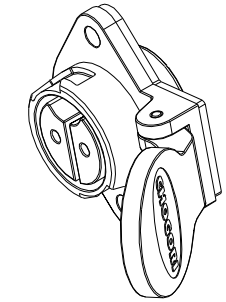
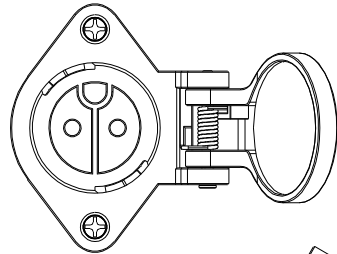


THIS INFORMATION IS CONFIDENTIAL AND IS DISCLOSED TO YOU ON CONDITION THAT NO FURTHER DISCLOSURE IS MADE BY YOU TO OTHER THAN CHOGORI PERSONNEL WITHOUT AUTHORIZATION FROM CHOGORI CORP.

REV.	ECN NO.	DESCRIPTION	SIGN	DATE
C1	N/A	INITIAL DRAWING	Liu	2020/05/20



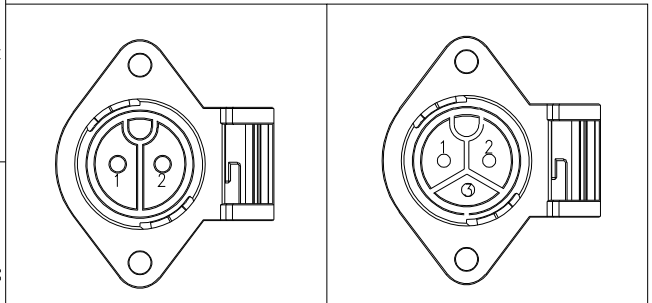
RECOMMENDED PANEL Cut-Out



Connector female Pin

- Specification:
- 1.Operation Temperature: -45°C~105°C.
 - 2.Insulation Resistance: 100MΩ at DC500V.
 - 3.Contact Resistance: <10mΩ.
 - 4.Withstand Voltage: 2000V AC
 - 5.Operating Current: 20A
 - 6.Operating Voltage: AC 300V
 - 7.Waterproof Rate: IP67 (Mated)
 - 8.Housing: Nylon, Black
 - 9.Female Pin: Copper Alloy, Gold Plated
 - 10.Gasket: Silicon Gray
 - 11.Torque Rate: 0.8~1.0N • m
 - 12.RoHS Compliant.
 - 13.Mating Cap P/N: 806-00058-00

22XXX636-0X
Pin Number



2 Pin	3 Pin
P/N: 24002636-02	P/N: 24003636-03
Pin Assignments Front View	Pin Assignments Front View

UNIT:mm	DESCRIPTION Large Series Push Lock Female socket With Female Pin
TOLERANCE .X ±0.25 .XX ±0.15 .XXX ±0.05 ANGLES ±1°	SCALE: 1:1 SHEET 1 OF 1
REV. C1	SIZE A4 * :Inspection Item



PART NO 22XXX636-0X	DRAWN BY Liu	DATE 2020/05/20
DWG NO	CHECKED BY Mo	DATE 2020/05/20
CUSTOMER	APPROVED BY Adley	DATE 2020/05/20

A B C D E F

1 2 3 4 5 6 7 8