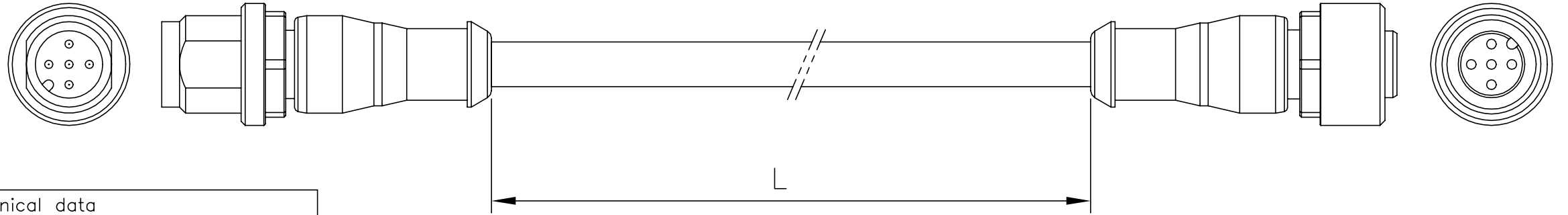


P	LTR	DESCRIPTION	DATE	DWN	APVD
	C2	REVISED PER ECR-20-010327	13AUG2020	AP	BP

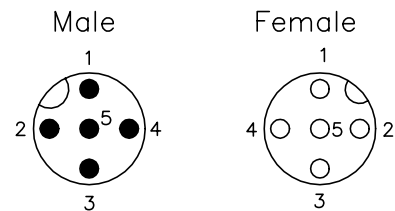
NOTES:
 Tolerances cable lengths:
 0m to 0.5m +30mm
 0.5m to 1.0m +50mm
 1.0m to 3.0m +100mm
 >3.0m +1.5%



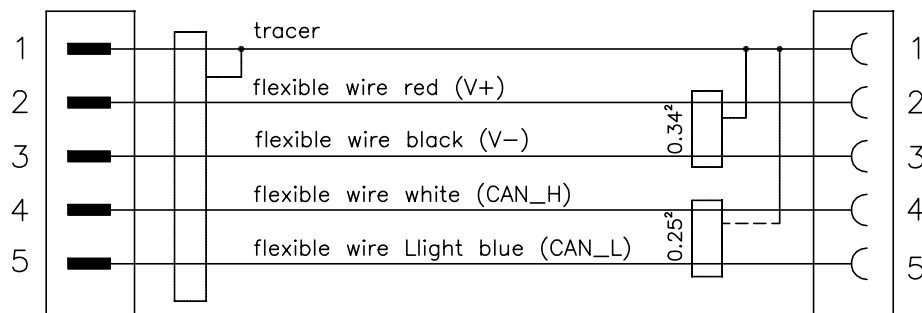
Mechanical data	
Housing:	M12 female straight, black
Screw:	M12x1 zinc pressure die casting surface Ni
Connection:	pluggable screw locking A/F 13 recommended breakaway torque 0.6Nm
Temp. range:	-25°C to +85°C (for connector)
Protection:	IP67

Electrical data	
Nominal voltage:	max. 60V AC/DC (UL rating 30V AC/DC)
Rated current:	max. 4A per contact
Rated impuls voltage:	1.5kV
Pollution degree:	3
Material group:	Categorie I according to IEC 60664-1
Fieldbus:	CANopen / DeviceNet

Contact Layout



Schematic diagram



LENGTH "L"	MATERIAL	JACKET COLOR	TE PN	DESCRIPTION	ITEM
18mtr			1-2289297-7	5x22AWG PUR 18m	17
75mtr			1-2289297-6	5x22AWG PUR 75m	16
60mtr			1-2289297-5	5x22AWG PUR 60m	15
45mtr			1-2289297-4	5x22AWG PUR 45m	14
35mtr			1-2289297-3	5x22AWG PUR 35m	13
25mtr			1-2289297-2	5x22AWG PUR 25m	12
20mtr			1-2289297-1	5x22AWG PUR 20m	11
15.2mtr			1-2289297-0	5x22AWG PUR 15.2m	10
13mtr			2289297-9	5x22AWG PUR 13m	9
12mtr			2289297-8	5x22AWG PUR 12m	8
10.2mtr			2289297-7	5x22AWG PUR 10.2m	7
9mtr			2289297-6	5x22AWG PUR 9m	6
7.7mtr			2289297-5	5x22AWG PUR 7.7m	5
6.2mtr			2289297-4	5x22AWG PUR 6.2m	4
4.7mtr			2289297-3	5x22AWG PUR 4.7m	3
3.2mtr			2289297-2	5x22AWG PUR 3.2m	2
1.5mtr			2289297-1	5x22AWG PUR 1.5m	1

THIS DRAWING IS A CONTROLLED DOCUMENT.

DWN	22DEC2014	TE Connectivity Ltd.
CHK	22DEC2014	
APVD	22DEC2014	NAME
SATHISH KUMAR G		M12 STRGT PLUG TO M12 STRGT SOCKET AA
B.VELDHOVEN		
A.VAN ZANDVOORT		
PRODUCT SPEC		
108-19483		
APPLICATION SPEC		
114-32127		SIZE
WEIGHT		CAGE CODE
0		DRAWING NO
CUSTOMER DRAWING		RESTRICTED TO
		SCALE
		SHEET
		1 of 2
		REV
		C2

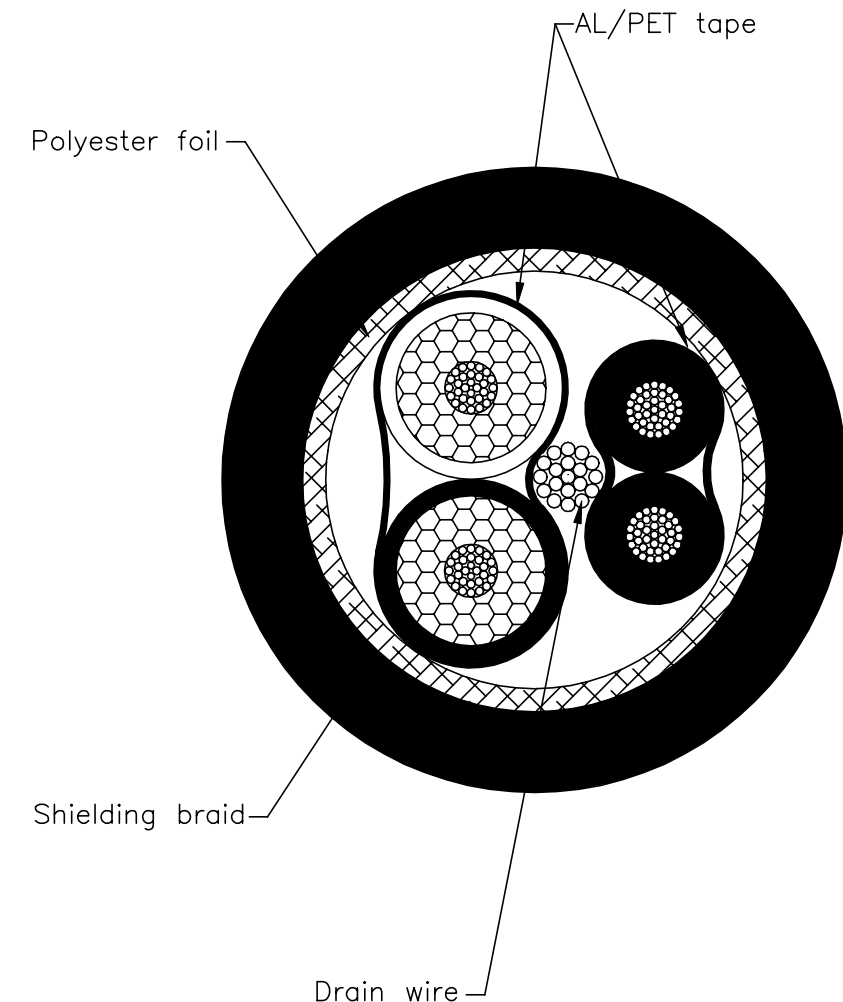
NOTES:

Tolerances cable lengths:
 0m to 0.5m +30mm
 0.5m to 1.0m +50mm
 1.0m to 3.0m +100mm
 >3.0m +1.5%

P	LTR	DESCRIPTION	DATE	DWN	APVD
-	-	SEE SHEET 1	-	-	-

CABLE DATA SHEET

Cable diameter	2x0.25+ 2x0.34mm ²	6.9mm±5%
Conductor colors	DATA PAIR: BLUE, WHITE 0.25mm ² ; POWER PAIR: BLACK, RED 0.34mm ²	
Conductor construction	0.25: tinned copper wire 22/19AWG, paired in AL/PET tape 0.34mm ² : tinned copper wire 24/19AWG, paired in AL/PET tape	
Conductor isolation DIN VDE 0207-7	0.25mm ² : solid polyethylene outer dia 2.10mm ±5% 0.34mm ² : foam skin polyethylene outer dia 1.55mm ±5%	
Banding	Polyester foil, tinned copper wires (coverage min. 65%), drain wire 24/19AWG	
Outer jacket	Halogen free PUR, color: Violet	
Resistance	Good oil, petrol and chemical resistance, UV resistance compliant UL1581	
Electrical data Nominal voltage Dielectric strength	300v max operating voltage cond/cond, cond/shield: 1.5kVac/1min	
Temperature range	-40°C to +80°C Fixed -30°C to +70°C Flexible	
Drag chain data	Translation speed: < 3.0m/s; acceleration: < 3.0m/s (proper installation) Bending radius:6x outer dia (static); 12x outer dia (axial drag chain)	
Drag chain data Torsion range	12x outer diameter, max. 5 million cycles Not recommended for torsion	
Permission	UL (AWM style 20233), CSA	
Manufacturer & type	CEAM 0502688	



THIS DRAWING IS A CONTROLLED DOCUMENT.		DWN SATHISH KUMAR G 22DEC2014	TE TE Connectivity Ltd.	
		CHK B.VELDHOVEN 22DEC2014		
DIMENSIONS: mm		APVD A.VAN ZANDVOORT 22DEC2014	NAME M12 STRGT PLUG TO M12 STRGT SOCKET AA	
		PRODUCT SPEC 108-19483	RESTRICTED TO	
		APPLICATION SPEC 114-32127	SIZE A3	CAGE CODE 00779
MATERIAL -	FINISH -	WEIGHT -	CUSTOMER DRAWING	
		SCALE NTS	SHEET 2 of 2	REV C2