



TE Connectivity

Product Change Notification: P-19-017399

PCN Date: 21-MAY-19

TE would like to inform you of the following change(s) to the listed TE Connectivity Product. In case of any further questions about this change(s), please contact your TE Connectivity Sales Engineer. Affected part, drawing and/or specification numbers are listed on the attached sheet(s).

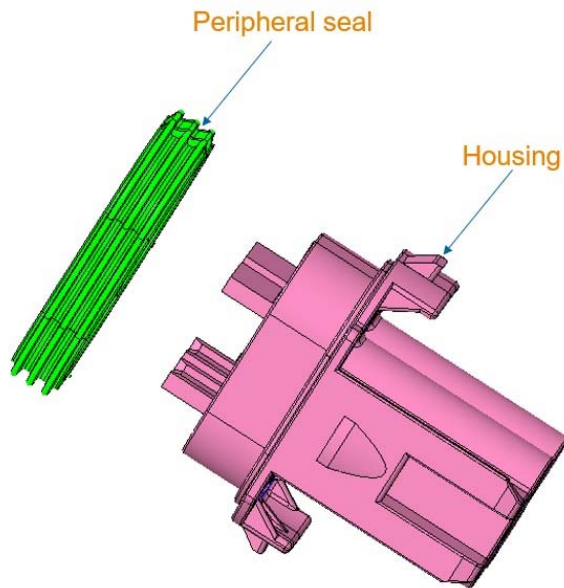
General Product Description:

2066046-2: 2pos Sealed Minifuse Box Housing Assembly Packing Tray Change

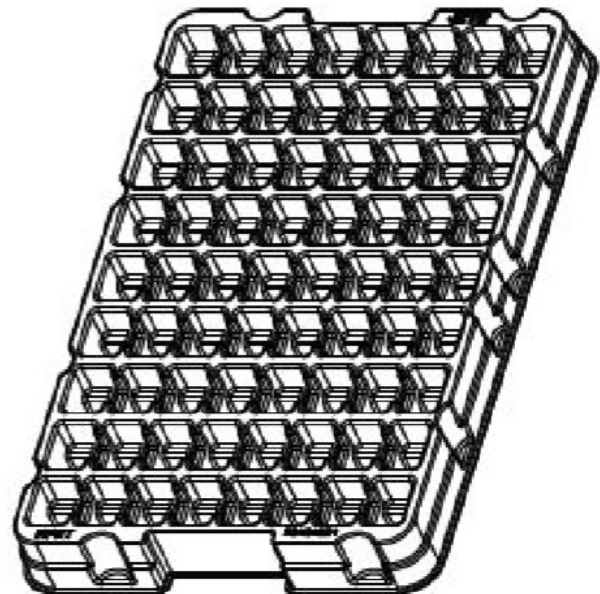
Description of Changes

Changing the Packing Tray for 2066046-2 2pos Sealed Minifuse Box Housing Assembly from 2293844-1 to 2343463-1. The New Tray is with improved robustness. With this change, we can also accommodate 576 Assemblies in one Corrugated Shipping Box, when compared to 480 Numbers with the present one.

2P Mini fuse Assy



New packing tray



Reason for Changes:

Product improvement. Product improvement. Product improvement. New Tray with improved robustness to avoid transit damage of Housing Assemblies.

Estimated Dates:

Last Order Date (Obsolete Parts Only):	First Date To Ship (Changed Parts Only):
	21-MAY-2019
Last Ship Date (Obsolete Parts Only):	Last Date for Mixed Shipments: (Changed Parts Only):
	No Mixed Shipments

Part Number(s) being Modified:

Part Number	Part Discontinued per PCN	Customer Drawing	Customer Part Number	Alias Part Number(s)	Substitute Part Number	Substitute Alias Part Number(s)	Description Of Difference
2066046-2	NO						

Part Number(s) being Modified:

Part Number	Part Discontinued per PCN	Customer Drawing	Customer Part Number	Alias Part Number(s)	Substitute Part Number	Substitute Alias Part Number(s)	Description Of Difference
2066046-2	NO						

Part Number(s) being Modified:

Part Number	Part Discontinued per PCN	Customer Drawing	Customer Part Number	Alias Part Number(s)	Substitute Part Number	Substitute Alias Part Number(s)	Description Of Difference
2066046-2	NO						

Part Number(s) being Modified:

Part Number	Part Discontinued per PCN	Customer Drawing	Customer Part Number	Alias Part Number(s)	Substitute Part Number	Substitute Alias Part Number(s)	Description Of Difference
2066046-2	NO						

Part Number(s) being Modified:

Part Number	Part Discontinued per PCN	Customer Drawing	Customer Part Number	Alias Part Number(s)	Substitute Part Number	Substitute Alias Part Number(s)	Description Of Difference
2066046-2	NO						