

4 CKT SHOWN

NOTES:

1) MATERIAL:

- 225S = NYLON 6, UL94V-2, GLOW WIRE MATERIAL COLOR: BLACK
- 225NS = NYLON 6, UL94V-2, GLOW WIRE MATERIAL COLOR: NATURAL
- 250RS = NYLON 6/6, UL94V-0, GLOW WIRE MATERIAL COLOR: RED
- 250GS = NYLON 6/6, UL94V-0, GLOW WIRE MATERIAL COLOR: GREEN
- 250BS = NYLON 6/6, UL94V-0, GLOW WIRE MATERIAL COLOR: BLUE
- 250WS = NYLON 6/6, UL94V-0, GLOW WIRE MATERIAL COLOR: NATURAL

2) FINISH: NOT APPLICABLE

3) PRODUCT SPECIFICATION: PS-5556-001

4) PACKAGING: BULK

5) PART MATES WITH MOLEX PLUG #46993 AND HEADERS #172447, #172448.

6) PART TO BE USED WITH MOLEX FEMALE TERMINAL #5556.

7) PART IS NOT DESIGNED FOR CURRENT SHARING.

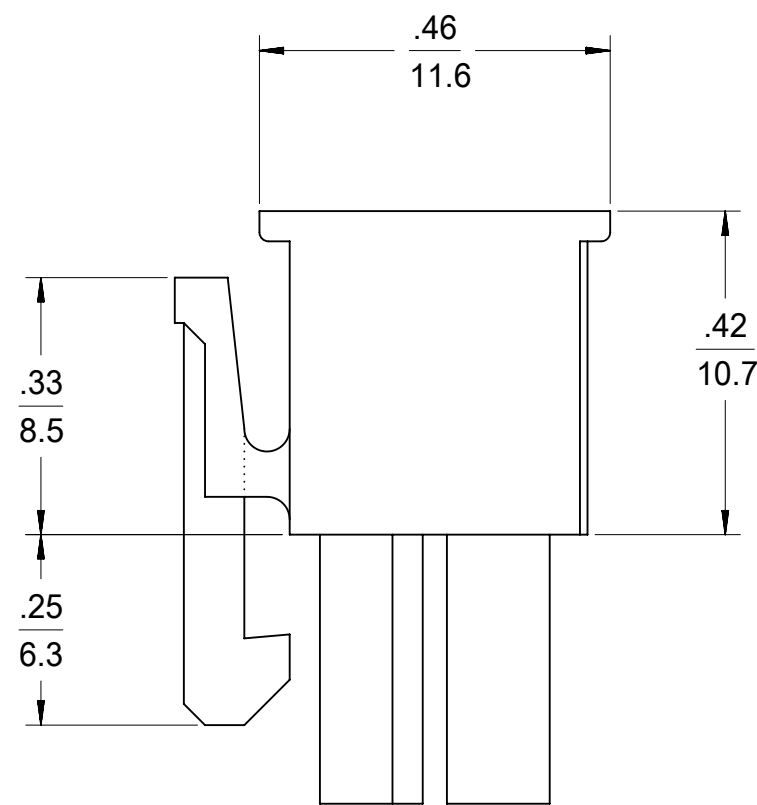
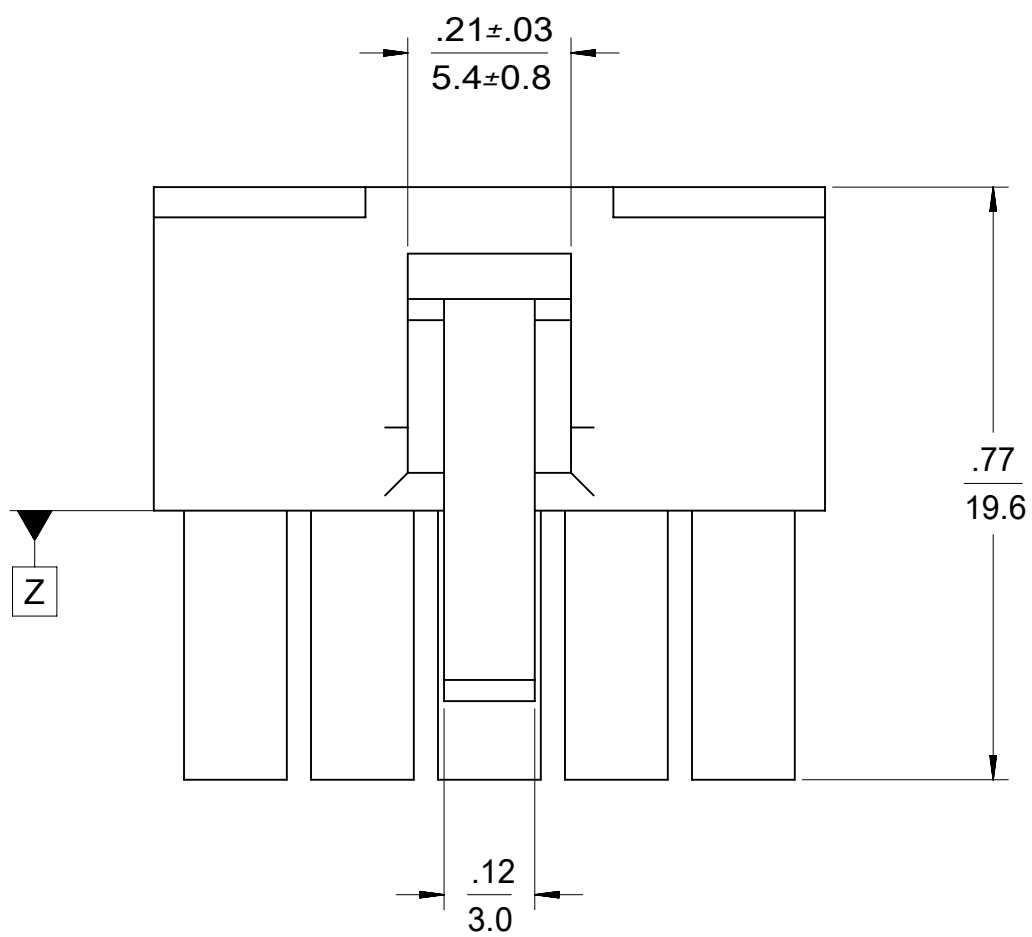
8) CONNECTORS ARE NOT TO BE MATED OR UNMATED WHILE CIRCUITS ARE LIVE.

9) WIRES ARE TO BE DRESSED IN SUCH A MANNER TO ALLOW THE TERMINALS TO FLOAT FREELY IN THE POCKET.

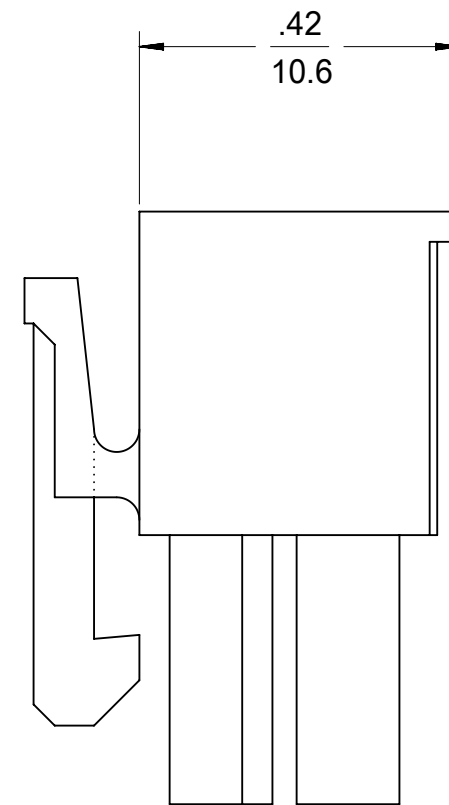
10) PART CONFORMS TO CLASS "B" REQUIREMENTS OF COSMETIC SPECIFICATION PS-45499-002 WITH THE EXCEPTION OF DISCOLORATION, FLASH AND SINK MEET CLASS "C" REQUIREMENTS.

11) TO BE MEASURED AT SURFACE Z

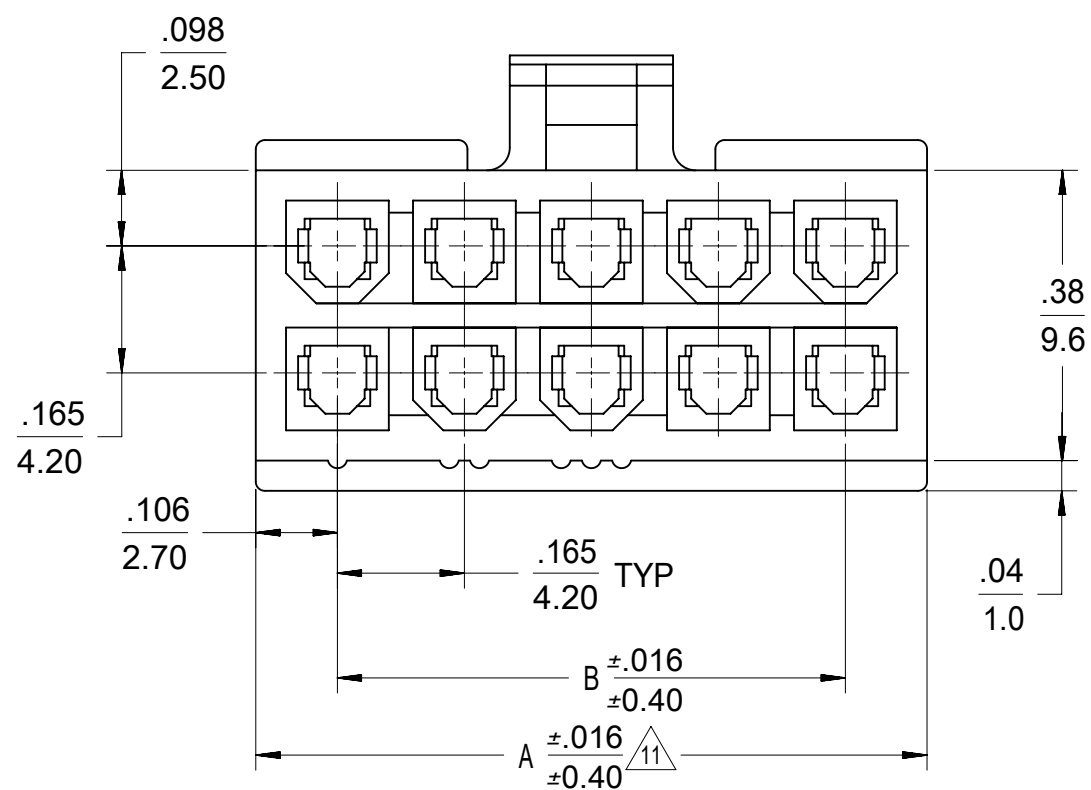
12) TEXT ON PART IS FOR REFERENCE ONLY. TEXT AND TEXT LOCATION MAY VARY DEPENDING ON PART NUMBER AND/OR TOOL.



4-24 CKT



2 CKT ONLY



LEGEND

- 46992 -*** 0
- CIRCUIT SIZE
- MATERIAL (SEE NOTE 1)
- 0 = 225NS
- 1 = 225S
- 2 = 250RS
- 3 = 250GS
- 4 = 250BS
- 5 = 250WS
- CONFIGURATION
- DUAL ROW

THIS DRAWING CONTAINS INFORMATION THAT IS PROPRIETARY TO MOLEX ELECTRONIC TECHNOLOGIES, LLC AND SHOULD NOT BE USED WITHOUT WRITTEN PERMISSION									
SYMBOLS		DIMENSION UNITS		SCALE		CURRENT REV DESC:			
	= 0	IN/MM		4:1		EC NO: 648814 DRWN: KCHIKKANNA 2020/11/06 CHK'D: KCHIKKANNA 2020/11/09 APPR: ISHWARG 2020/11/09 INITIAL REVISION: DRWN: NNGUYEN 2013/04/12 APPR: FSMITH 2014/05/16			
	= 0	GENERAL TOLERANCES (UNLESS SPECIFIED)							
	= 0		MM	INCH					
	= 0	4 PLACES	±			PRODUCT CUSTOMER DRAWING DOCUMENT NUMBER: SD-46992-0000 DOC TYPE: PSD DOC PART: 000 REVISION: A7			
	= 0	3 PLACES	±		± 0.01				
	= 0	2 PLACES	±	0.25	± 0.015				
	= 0	1 PLACE	±	0.38		MATERIAL NUMBER: SEE CHART CUSTOMER: GENERAL MARKET SHEET NUMBER: 1 OF 2			
	= 0	0 PLACES	±						
	= 0	ANGULAR TOL	±	3.0 °					
	= 0	DRAFT WHERE APPLICABLE MUST REMAIN WITHIN DIMENSIONS		THIRD ANGLE PROJECTION		DRAWING		SERIES	
						C-SIZE	46992		

molex

MINIFIT JR
RECEPTACLE HOUSING DUAL ROW, 2-24 CKT

PRODUCT CUSTOMER DRAWING

DOCUMENT NUMBER: SD-46992-0000
DOC TYPE: PSD
DOC PART: 000
REVISION: A7

MATERIAL NUMBER: SEE CHART
CUSTOMER: GENERAL MARKET
SHEET NUMBER: 1 OF 2

