

Released under the Creative Commons Attribution Share-Alike 4.0 License <https://creativecommons.org/licenses/by-sa/4.0/>

TITLE: SparkFun_Artemis_Global_Tracker

Design by: Paul Clark (Based on the SparkFun Artemis and Quic ZOE-M8Q) Revised by Pete Lewis

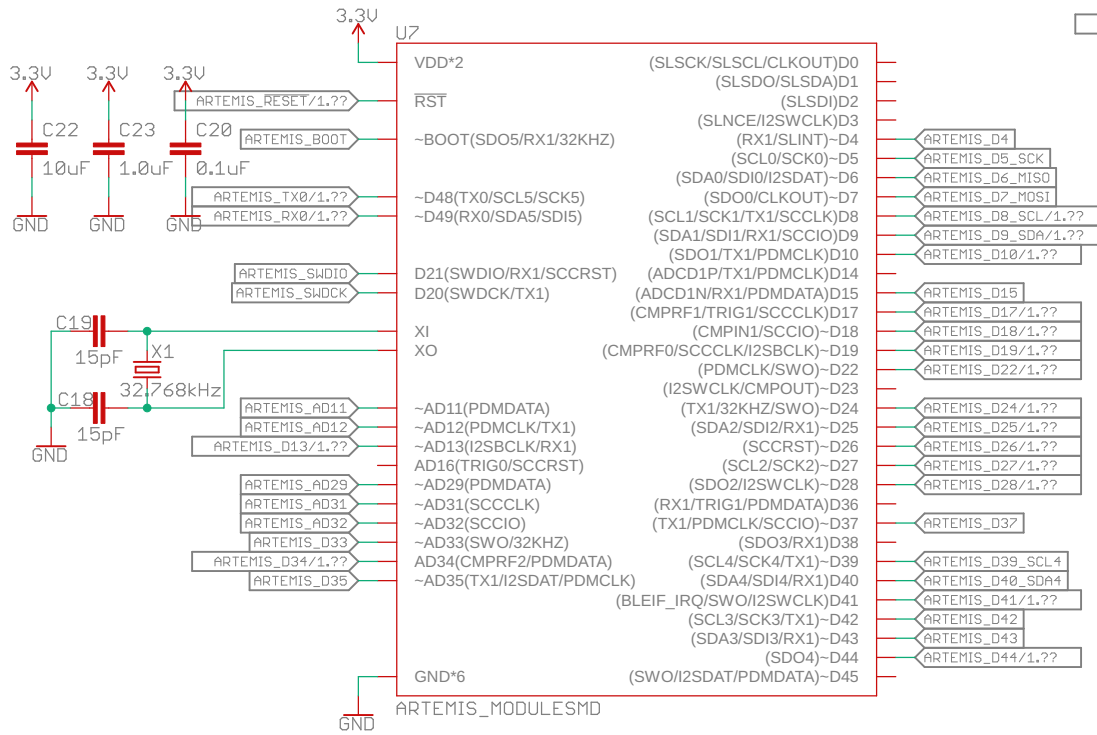
Date: 11/29/2021 5:32 PM

Sheet: 1/2

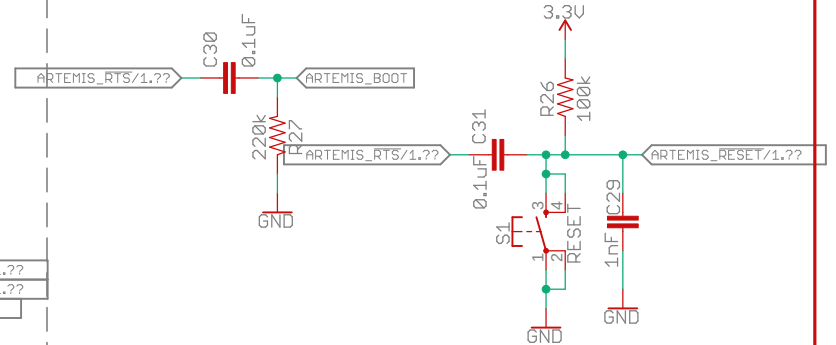


Artemis (Apollo3)

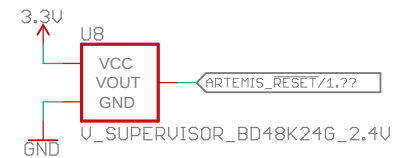
Artemis UCC Range:
1.76-3.6V



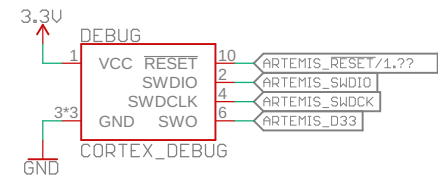
Bootloader Reset Circuit



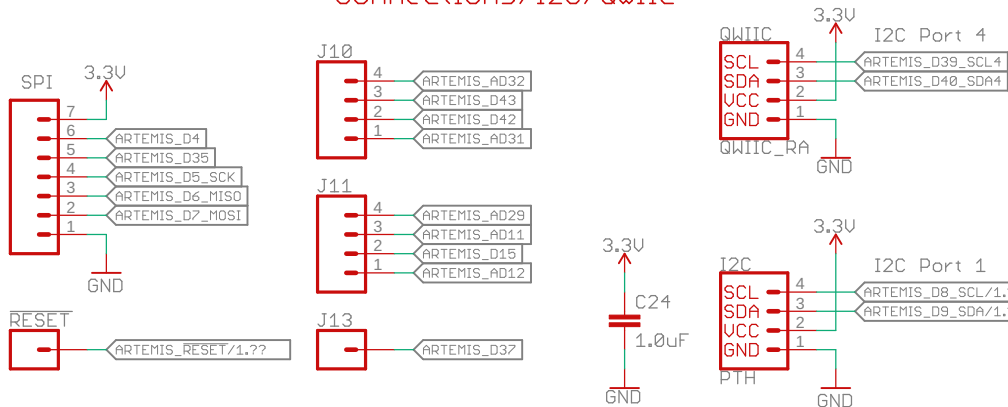
2.4V Reset Supervisor (Ensures a clean start on solar power)



SWD Program/Debug Interface



Connections/I2C/Qwiic



sparkfun

Released under the Creative Commons
Attribution Share-Alike 4.0 License
<https://creativecommons.org/licenses/by-sa/4.0/>

TITLE: SparkFun_Artemis_Global_Tracker

Design by: Paul Clark (Based on the SparkFun Artemis and Qwiic ZOE-M80)
Revised by: Pete Lewis

REV:
v10

Date: 11/29/2021 5:32 PM

Sheet: 2/2