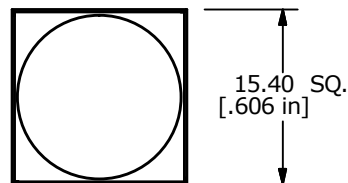
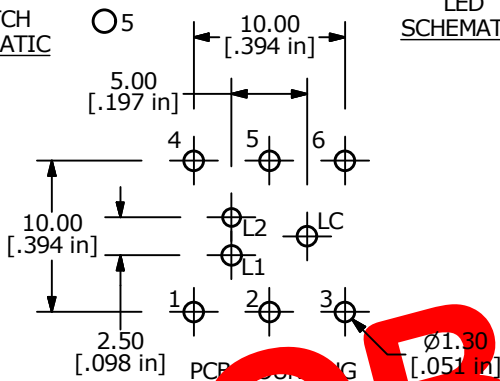


SWITCH SCHEMATIC

LED SCHEMATIC



ISOMETRIC

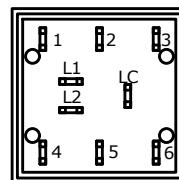
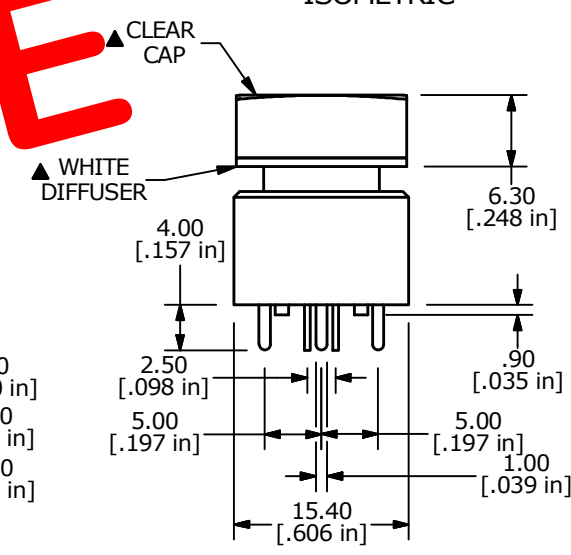
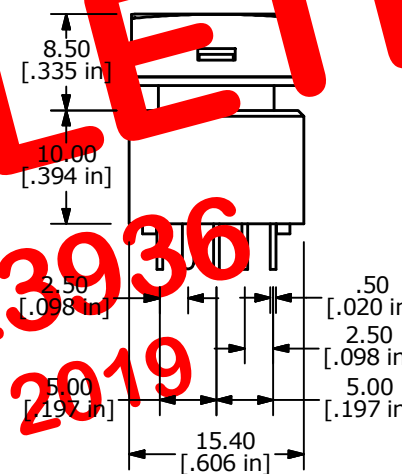
NOTES:

1. ALL DIMENSIONS IN MM
2. GENERAL TOLERANCE: X.X=±0.4
X.XX=±0.25
3. TERM. NOS. FOR REFERENCE ONLY.
- ▲ 4. CONTACT RATING: 0.5A @ 100 VAC OR 25 VDC
0.2A @ 250 VAC
5. CONTACT MATERIAL: SILVER
6. ELECTRICAL LIFE: 200,000 Typical
7. MECHANICAL LIFE:
1,000,000 CYCLES TYP.
8. OPERATING TEMP: -20°C TO +70°C
9. OPERATING FORCE: 300 ± 150 gf
10. CONTACT RESISTANCE:
50 MILLI-OHM INITIAL TYP. MAX.
11. INSULATION RESISTANCE:
500VDC, 100 MΩ MIN.
12. DIELECTRIC STRENGTH:
1000 VAC FOR 1 MINUTE
13. TRAVEL TO MAKE: 2.20mm ± 0.2
14. 2002/95/EC (ROHS) COMPLIANT
15. ▲ DENOTES CRITICAL PARAMETER
- ▲ 16. LED COLOR: YEL: 3 CHIP; 2.1VDC, @20mA TYP.
YEL: 3 CHIPS; 2.1VDC, @20mA TYP.

OBSOLETE

PCR 23936

JULY 2019



REV	PCR NO	DESCRIPTION	DATE	BY
C	19737	CORRECT TERMINALS	03/07/11	BMA
B	19724	UPDATE DRAWING	03/01/11	BMA

TITLE ULP22OAP1QSSCL1YELYEL				
SCALE	DATE	DR	DWG	REV
1.5:1	4/22/2009	BLR	B800024	C

THE INFORMATION CONTAINED IN THIS DOCUMENT IS PROPRIETARY TO E-SWITCH AND IS NOT TO BE COPIED OR TRANSFERRED