

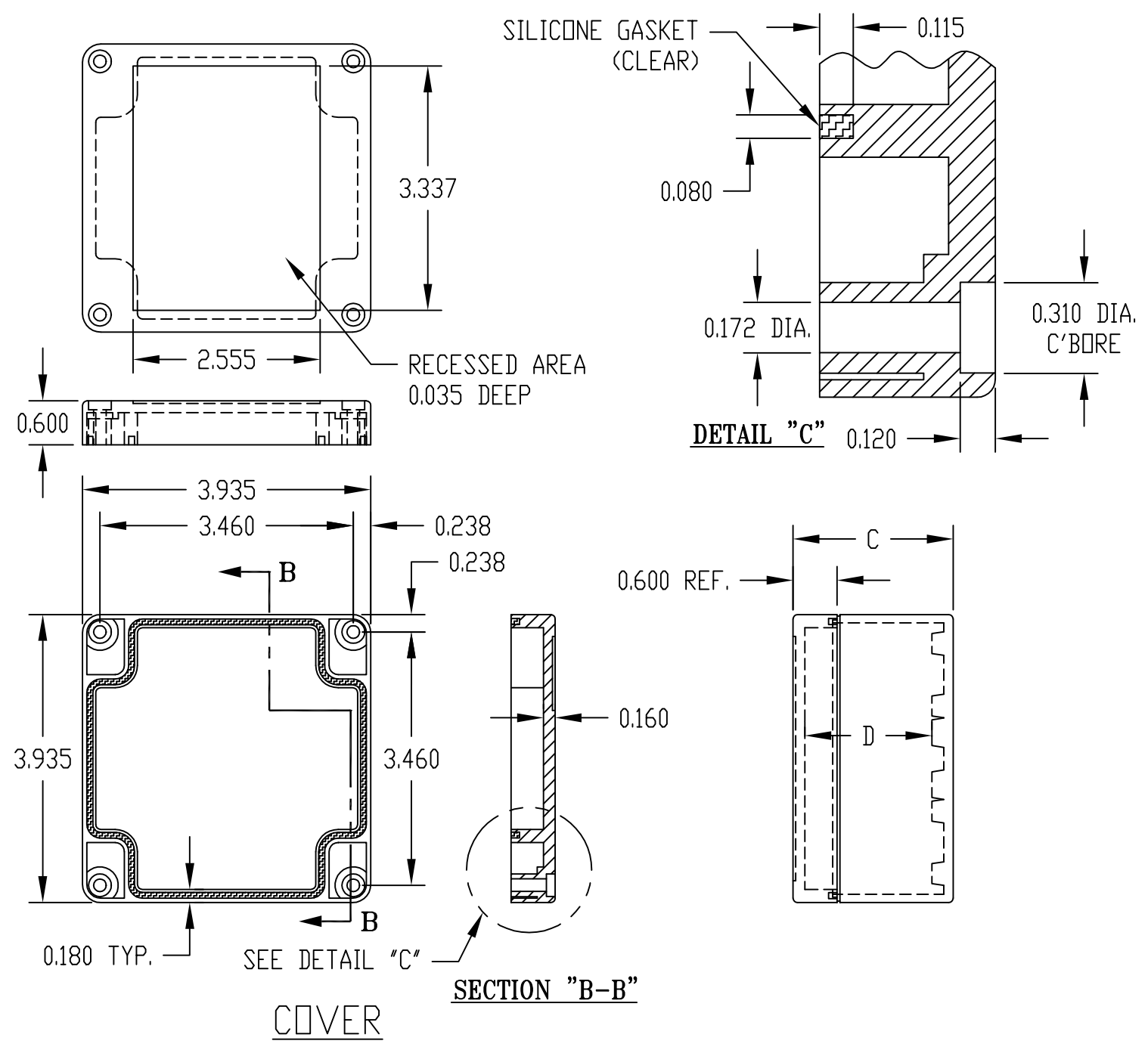
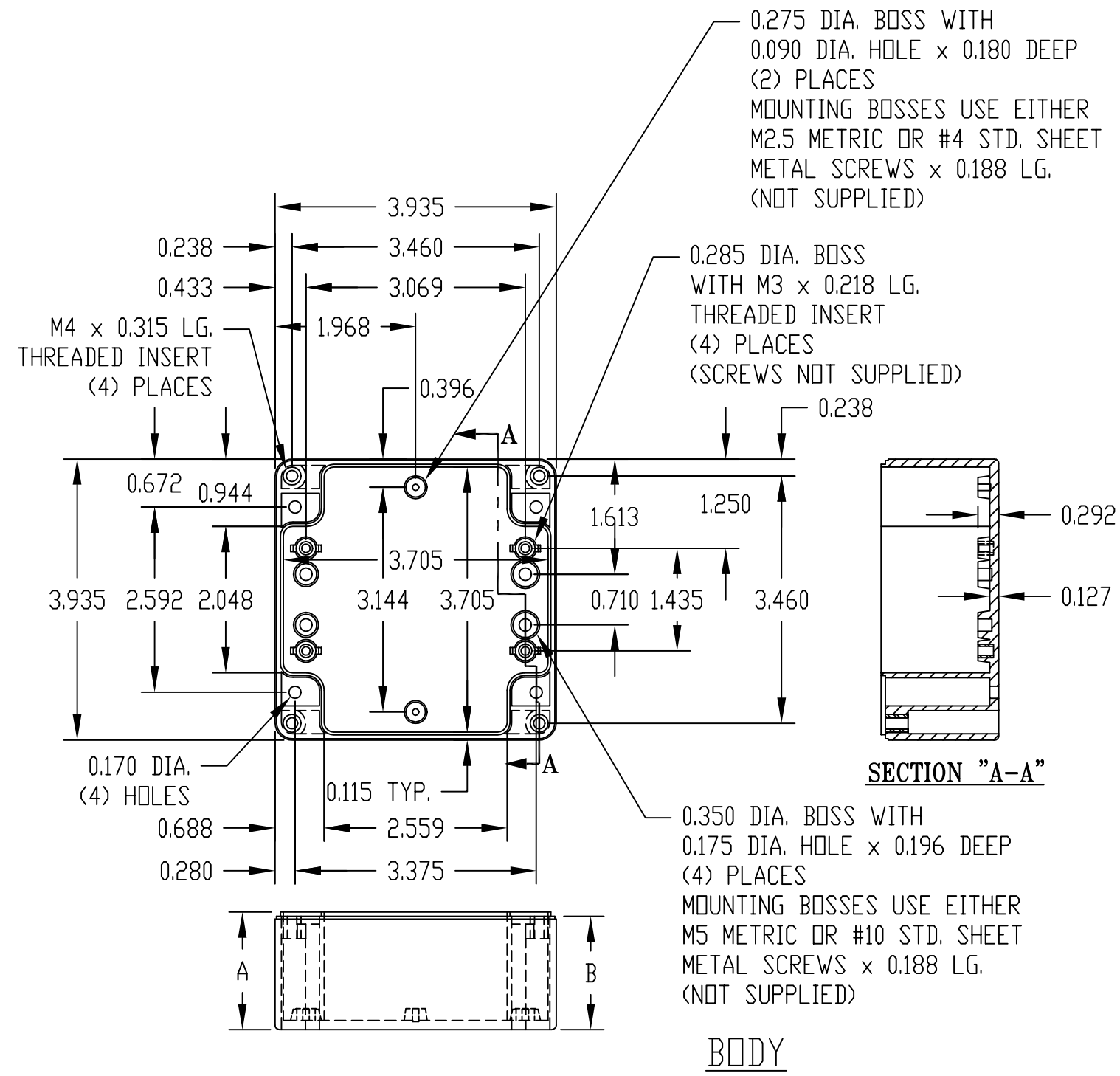
PART NAME NEMA 4X ENCLOSURE

PART No. PNR-2600, PNR-2600-C AND PNR-2600-DG
PNR-2601, PNR-2601-C AND PNR-2601-DG

REV. DATE 11-17-08

INDUSTRY STANDARDS:
 POLYCARBONATE (LIGHT GRAY AND CLEAR)
 UL94-HB FLAMMABILITY RATING (UL FILE #E41613)
 UV STABILIZED
 SERVICE TEMPERATURE RANGE: -40°C TO +120°C
 ABS (DARK GRAY)
 UL94-HB FLAMMABILITY RATING (UL FILE #E56070)
 SERVICE TEMPERATURE RANGE: -40°C TO +80°C

| PART NUMBER | DIMENSION | | | |
|--------------------------------------|-----------|-------|-------|-------|
| | A | B | C | D |
| PNR-2600, PNR-2600-C AND PNR-2600-DG | 1.645 | 1.586 | 2.186 | 1.734 |
| PNR-2601, PNR-2601-C AND PNR-2601-DG | 3.016 | 2.955 | 3.555 | 3.103 |



NOTE: ALL DIMENSIONS HAVE ±0.015 TOLERANCE UNLESS OTHERWISE SPECIFIED.

| PART NUMBER | MATERIAL | | FINISH | | HARDWARE KIT |
|---------------------------|-----------------|-------|------------|-------|---|
| | BODY | COVER | BODY | COVER | |
| PNR-2600 & PNR-2601 | POLYCARBONATE | | LIGHT GRAY | | KIT CONTAINS (4) M4 x 17mm (0.668") LG. SCREWS FOR ASSEMBLY |
| PNR-2600-C & PNR-2601-C | POLYCARBONATE | | LIGHT GRAY | CLEAR | |
| PNR-2600-DG & PNR-2601-DG | HIGH-IMPACT ABS | | DARK GRAY | | |