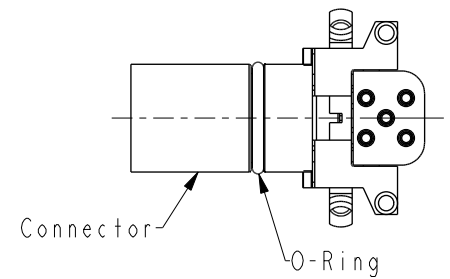
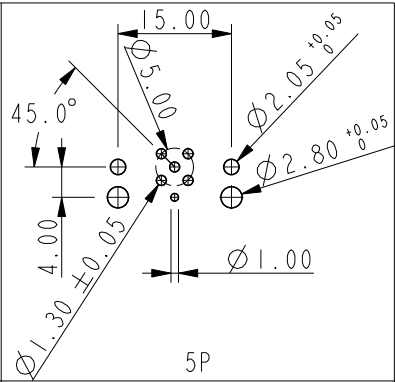
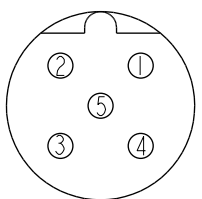
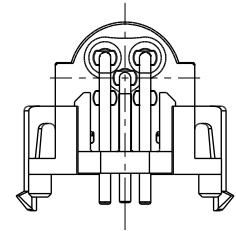
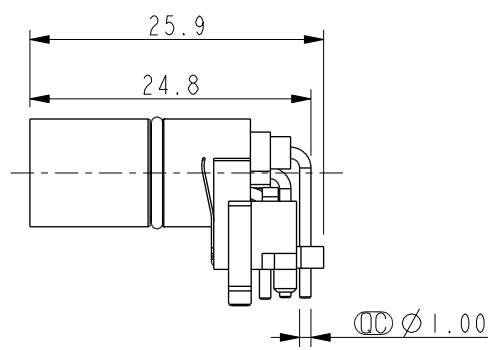
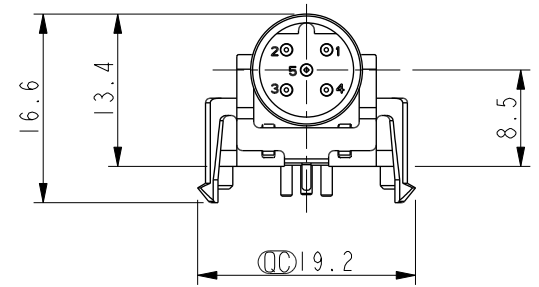
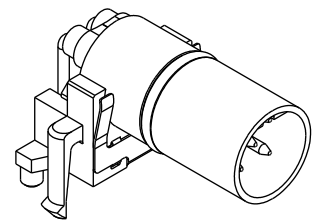
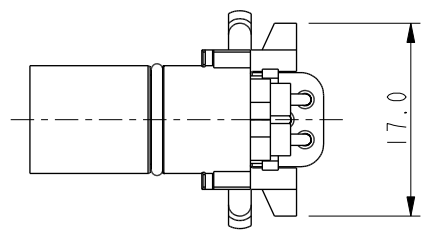


THIS DOCUMENT IS SUBJECT TO CHANGE WITHOUT NOTICE. IT IS CONFIDENTIAL AND A PROPERTY OF Amphenol LTW. DISCLOSURE TO THIRD PARTY HAS TO BE AUTHORIZED BY Amphenol LTW.

REV.	ECN NO.	DATE	SIGN	DESCRIPTION
A		2022-01-20	Jiahe Lin	Rev.01 To Rev.A

MSBS-XXPMMR-EE0001  
 XX: NO. Of Pin



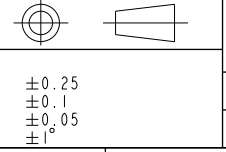
Note:  
 \* RoHS Compliant  
 \*  $\varnothing$  Important dimension  
 \* Waterproof rate: Non-Waterproof  
 \* Connector  
 Housing: Thermoplastic, Black  
 Pin: Copper alloy, Gold plated  
 O-Ring: Rubber, Black  
 \* For pcb thickness max: 1.6mm

5P  
 Pin Assignment  
 Front View

5P  
 PCB Layout

UNIT:mm

TOLERANCE	
.X	±0.25
.XX	±0.1
.XXX	±0.05
ANGLES	±1°



TITLE N SEN, M12 B -SHLD, RECEPTACLE, M, M, PCB R			
SCALE 3:2	SIZE A4	SHEET 1 OF 1	
REV. A	WC-REV. A.1	$\varnothing$ : Inspection item	

**Amphenol LTW**  
 安費諾亮泰企業股份有限公司

ITEM NO.	DRAWN BY Jiahe Lin	DATE 2022-01-20
DWG NO. MSBS-XXPMMR-EE0001	CHECKED BY Allen Pan	DATE 2022-01-20
CUSTOMER ALTW	APPROVED BY Fred Lee	DATE 2022-01-20

DATE 2022-01-20
DATE 2022-01-20
DATE 2022-01-20