



Digital Multi-Range 3Ø Voltage Monitor

DPM

Specifications

Electrical

Line Voltage: 200 to 240VAC, 1Ø

200 to 600VAC, 3Ø

Supply Voltage:

12VDC, 24VDC, 24VAC, 120VAC & 240VAC, 1Ø

Frequency: 50/60Hz

Display:

16 Character, 2 line, LCD back lighting

Adjustments:

Membrane Buttons & Display

Nominal Voltage: Adj. 200 to 600VAC

Over/Under Voltage: Adj. 7% to 15%

Phase Imbalance: 3% to 10%

Phase Rotation: A - B - C

Delays:

Trip Delay: Adj. 2 sec. to 10 sec.

Re-Start Delay: Adj. Manual Reset to 4 min.

Power Consumption: 2.1VA

Output Rating @ 25°C:

10 Amps @ 120VAC

6 Amps @ 277VAC

1/8 HP @ 120/277VAC

5 Amps @ 30VDC

Physical

Mounting: Surface Mounting (2 screws)

Termination:

Line Side: 1/4" Push-On Tabs

Control Side: 0.187" Push-On Tabs

Packaging: Dust Cover & Epoxy Fill

Weight: 1 Pound

Ambient Temperatures

Operating:

T - Tabs -40°C** to 65°C

B - Terminal Blocks -40°C** to 59°C

**Display & membrane may not function below -20°C.

Storage: -40°C to 85°C



Voltage Ranges:

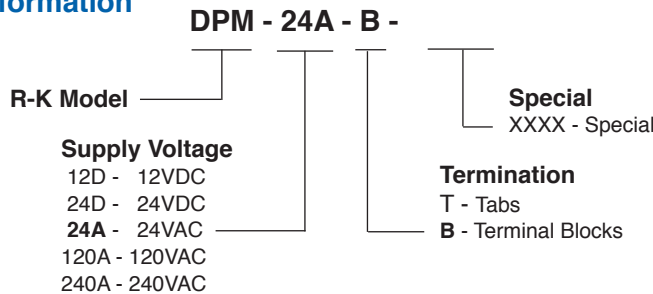
- 200 to 240VAC, 1Ø
- 200 to 600VAC, 3Ø

Digital Display:

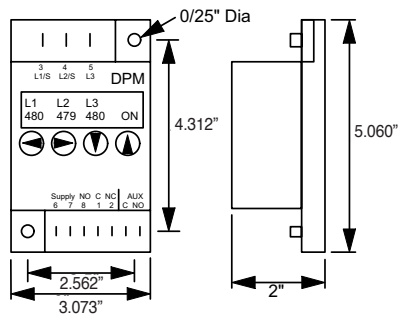
- Line Voltages
- Frequency
- Imbalance %
- Output Relay Status
- Last 4 Faults
- Set-Up Menus

SPDT & 1NO Contacts

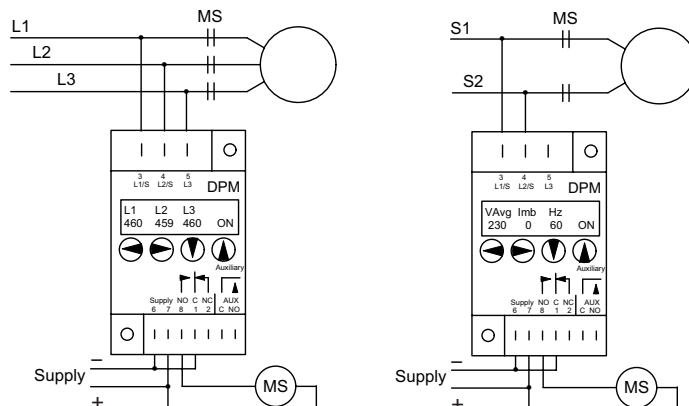
Ordering Information



Dimensions



Connections



Operation

The DPM is a Digital Phase Monitor that will monitor line voltages from 200VAC up to 600VAC. Actual line voltages and set-up parameters are set via the digital display. The supply voltage must be available during operation.

With the supply voltage active, you can set-up all of the DPM's settings without the line voltage connected.

When the DPM is connected to the line voltage, it will monitor the line and if everything is within the set-up parameters, the output contacts will be activated. If the line voltages fall outside the set-up parameters, the output relay will be de-energized after the trip delay.

Once the line voltages recover, the DPM will re-energize the output relay after the re-start time delay (manual to 4 minutes).

All settings and the last 4 faults are retained, even if there is a complete loss of power.