

Type APR-AF

Automotive Blade Fuse

Standard – Access-A-Fuse



www.optifuse.com (619) 593-5050

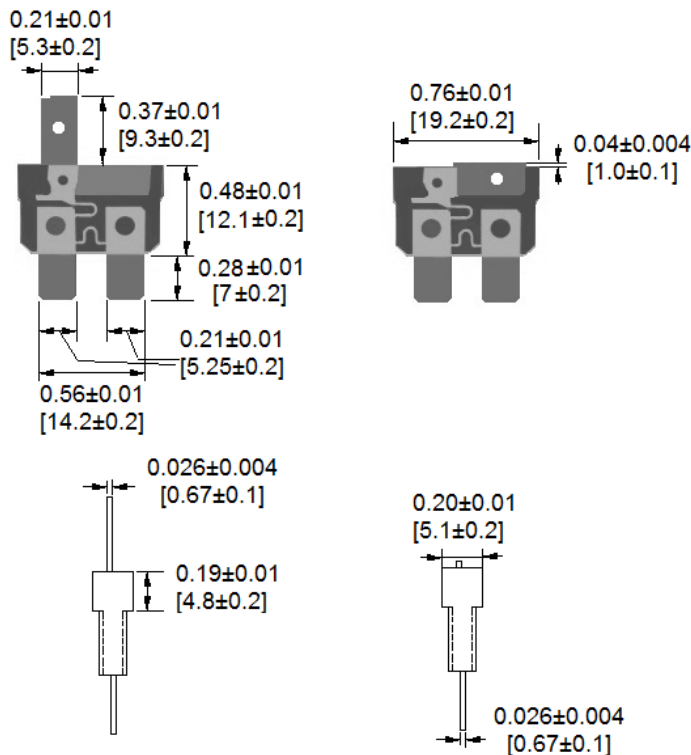
Specifications:

- Voltage: 32V DC
- Amperage: 20A
- 20 amp primary circuit plus a 7.5 amp hinged fused auxiliary connection
- Aux. Tab: 1/4" (0.250")

Part Number	Primary Fuse Amperage	Auxiliary Fuse Amperage	Body Color
APR-AF-20A	20A	7.5A	Yellow

Time Characteristics:		
% of Rated Current	Min Hold Time	Max Hold Time
110%	100h	
135%	750ms	1800s
200%	150ms	5s
350%	40ms	500ms
600%	20ms	200ms

Mechanical Dimensions: Inches [mm]



Warning:



- Operation beyond the specified maximum ratings or improper use may result in damage and possible electrical arcing and/or flame.
- Avoid contact of device with chemical solvent. Prolonged contact will damage the device performance.