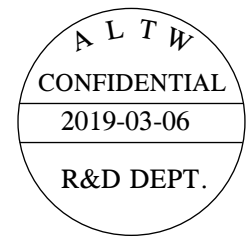
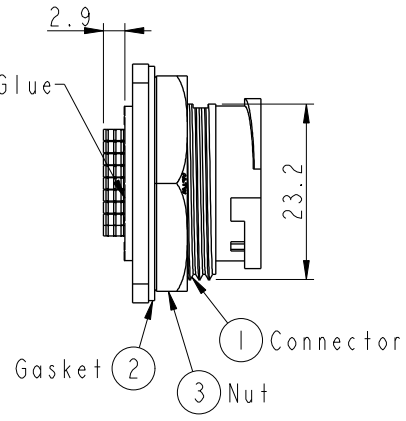
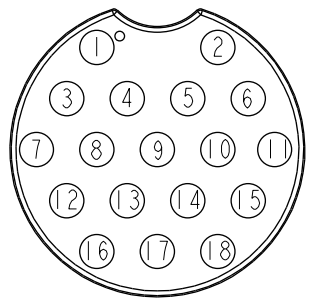
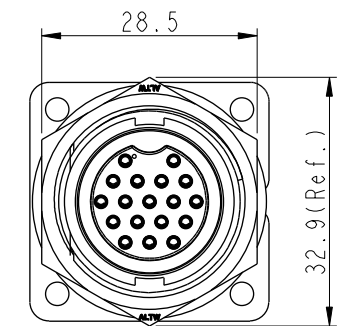
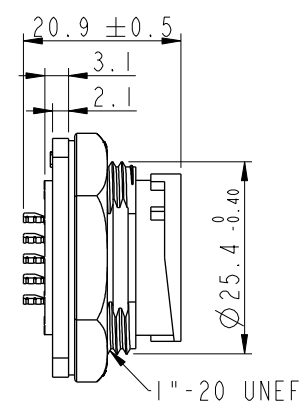
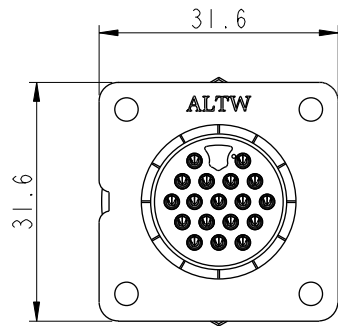
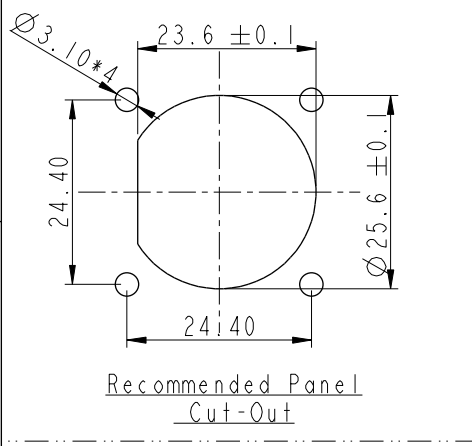


THIS DOCUMENT IS SUBJECT TO CHANGE WITHOUT NOTICE. IT IS CONFIDENTIAL AND A PROPERTY OF AMPHENOL LTW. DISCLOSURE TO THIRD PARTY HAS TO BE AUTHORIZED BY AMPHENOL LTW.

REV.	ECN NO.	DATE	SIGN	DESCRIPTION
B	C190347	2019/03/06	Vicky	Change Note



- Note:**
- * **CC** Important Dimension To Check.
 - * Waterproof Rate: IP67, Unmated.
 - * Housing: Thermoplastic, Black.
 - * Pin: Copper Alloy, Gold Plated.
 - * Gasket: Rubber, Gray.
 - * Nut: Thermoplastic, Black
 - * Use with waterproof cap or dust cap
Maximum Panel Thickness: 1.8mm
 - * Use without waterproof cap or dust cap
Maximum Panel Thickness: 3.0mm
 - * Gasket and Nut are packed separately in PE bags. (Gasket/Nut不組裝·散裝出貨)

UNIT: mm		
TOLERANCE	.X ±0.25	.XX ±0.1
.XXX	±0.05	
ANGLES	±1°	

TITLE LARGE PANEL LOCK 18P M CONN F PIN			
SCALE 1:1	SIZE A4	SHEET 1 OF 1	
REV. B	WC-REV. A.1	CC : Inspection item	

Amphenol LTW
安費諾亮泰企業股份有限公司

ITEM NO. ADD-18PMFS-LS7001	DRAWN BY Vicky	DATE 2019-03-06
DWG NO. ADD-18PMFS-LS7001	CHECKED BY Rita	DATE 2019-03-06
CUSTOMER ALTW	APPROVED BY Max	DATE 2019-03-06