



LAYOUT SHOWN AS EXAMPLE

Keying Shown as example

**CHARACTERISTICS**

- Standard : Based on MIL-DTL-38999 Series III
- Shell Material : Composite
- Shell Plating : Nickel
- Insulator : Thermoplastic
- Contacts : Copper Alloy
- Seals & Grommet : Silicon Elastomer
- Contact Plating : Gold over copper Alloy 0.8µm minimum
- Durability : 500 Mating cycles
- Delivered with Souriau contacts and Accessories
- Temperature Range : -65°C to +200°C
- Salt Spray : 2000 hours
- Mass : 17.5 g ± 10%

Connector dimension	
Dim	Nominal
P	3.25±0.2
PP	4.93±0.2
R1	23.01
R2	20.62
S	28.6±0.3
V'	19.5+1.4/-0
W'	2.1/3.65
Z'	32 Max
VV THREAD	M18x1-6g

SOURIAU shall not be liable for any non-conformity or damage due to a use of the Products which does not comply with the Specifications issued by either of the Parties or by a third party (professional recommendation, technical notice.)

Country	Jurisdiction & Control List
FR	Not Listed

**PN: 8D013M04SN**

A	15-10-2016	First Release	
ISS	DATE	Latest modification - by	MOD N°
Designed By:		Date:	<b>CUSTOMER DRAWING</b>

**TITLE** Composite Receptacle 8D series

SCALE		General linear Tolerances:	NPRDS / PROJECT
NA		±--	<b>859</b>

**SOURIAU** [WWW.SOURIAU.COM](http://WWW.SOURIAU.COM)

This document is the property of SOURIAU it must not be reproduced or communicated without permission

FORMAT	<b>SOURIAU DRG N° 8D013M04SN-C</b>		SHEET
<b>A3</b>			<b>1/2</b>

BASIC SERIES: 8D 0 - 13 M 04 S N

SHELL TYPE : Square Flange Receptacle

CONTACT TYPE : Standard Crimp Contact

SHELL SIZE : 13

PLATING : M = Nickel

ORIENTATION : N

CONTACT TYPE : SOCKET(500 Matings)

CONTACT LAYOUT : 13-04

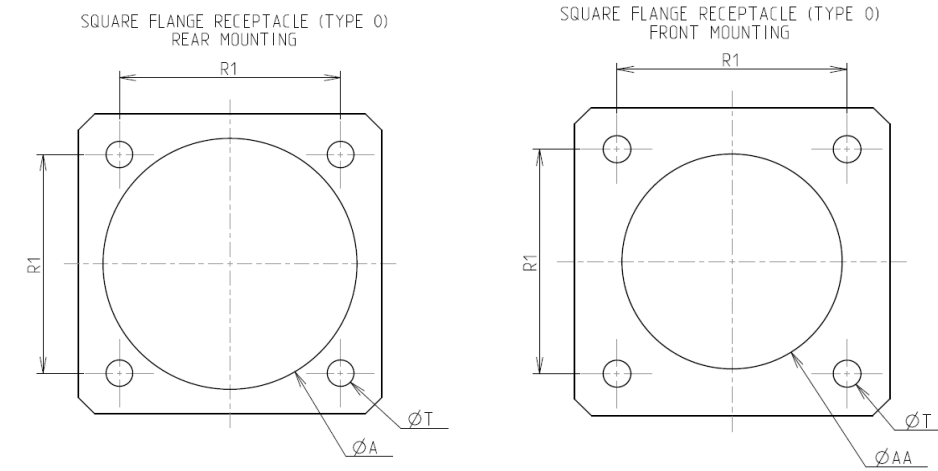
Contact Layout



Contacts (Insert arrangement 13-4)		
Contact position ID	Location	
	X-axis (mm)	Y-axis (mm)
A	+000 (0.00)	+150 (3.81)
B	+146 (3.71)	+035 (0.89)
C	+000 (0.00)	-083 (2.11)
D	-146 (3.71)	+035 (0.89)

Shell size	Arrangement no.	Number of contacts	Size contacts	Service rating	Contact location	Supersedes
13	-4	4	16	I	All	MS20051-4

Panel Cutout



Dim	Nominal
ØA	23.42 min
ØAA	19.05 min
R1	23.01
ØT	3.25 ±0.13

SOURIAU shall not be liable for any non-conformity or damage due to a use of the Products which does not comply with the Specifications issued by either of the Parties or by a third party (professional recommendation, technical notice.)

Country	Jurisdiction & Control List
FR	Not Listed

PN: 8D013M04SN

A	15-10-2016	First Release	
ISS	DATE	Latest modification - by	MOD N°
Designed By:		Date:	<b>CUSTOMER DRAWING</b>
<b>TITLE</b>	<b>Composite Receptacle 8D series</b>		
SCALE		General linear Tolerances:	NPRDS / PROJECT
NA		±--	<b>859</b>
<b>SOURIAU</b>	<b>WWW.SOURIAU.COM</b>		This document is the property of SOURIAU it must not be reproduced or communicated without permission
FORMAT	<b>SOURIAU DRG N° 8D013M04SN-C</b>		SHEET 2/2