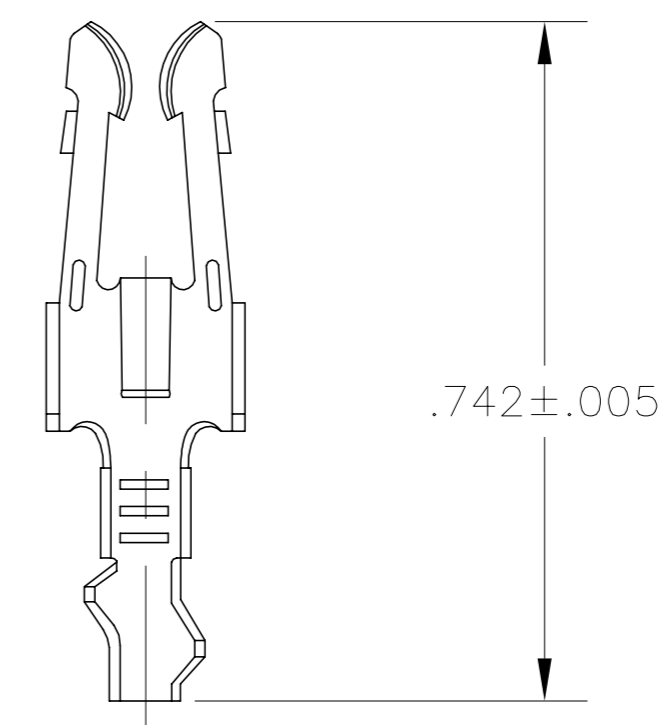
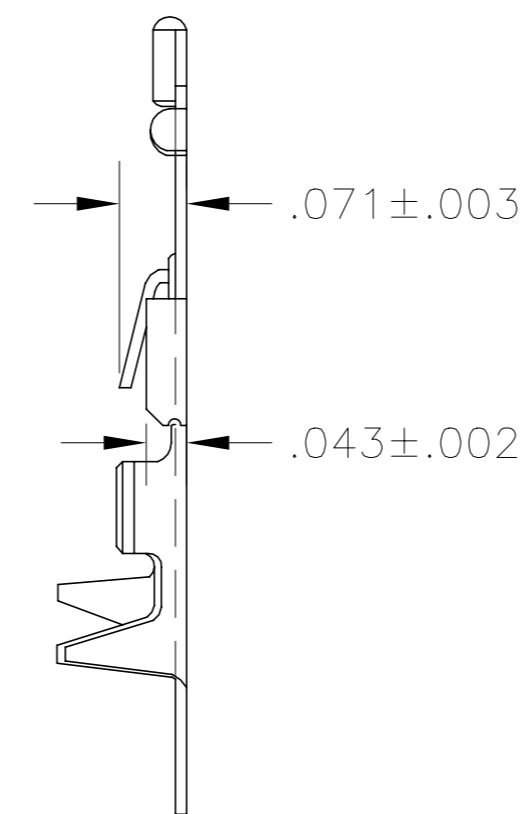
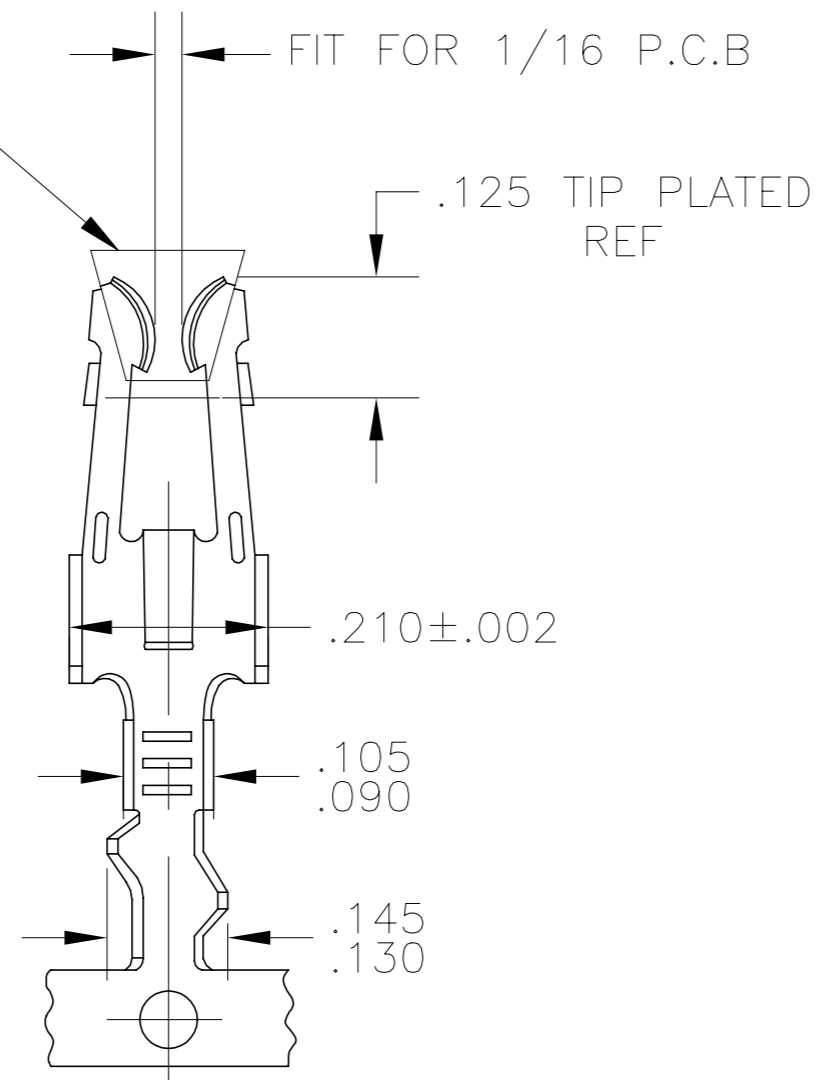


REVISIONS					
P	LTR	DESCRIPTION	DATE	DWN	APVD
	B2	ECO-20-014947	23OCT2020	RK	JO

MINIMUM CONTACT AREA GOLD PLATED



LOOSE PIECE

1. WIRE SIZE: #20-#18 AWG, INSULATION RANGE .070-.110 DIA.

2 L-R REELING FOR MINI-APPLICATOR.

3 MATTE TIN PLATE IN CRIMP AREA.

4 OBSOLETE PARTS: OBSOLETE CIS STREAMLINING PER D.RENAUD/D.SINISI

NICKEL PLATE ALL OVER, TIP PLATE .000030 THICK GOLD.	583362-4 L.P(5-583363-3)	583362-7 \triangle_3
NICKEL PLATE ALL OVER, TIP PLATE .000015 THICK GOLD.	583362-3 L.P(5-583363-2)	\triangle_4 583362-6 \triangle_3
TIN.	583362-2 L.P(5-583363-1)	\triangle_4 583362-5 \triangle_3
NICKEL PLATE ALL OVER, TIP PLATE .000030 THICK GOLD, TIN-LEAD	583362-4 L.P(583363-3)	583362-4 \triangle_2
NICKEL PLATE ALL OVER, TIP PLATE .000015 THICK GOLD, TIN-LEAD	583362-3 L.P(583363-2)	583362-3 \triangle_2
TIN-LEAD	583362-2 L.P(583363-1)	583362-2 \triangle_2
FINISH	LOOSE PIECE COMBINATION NO.	PART NO.

THIS DRAWING IS A CONTROLLED DOCUMENT.		DWN 16SEP67	TE TE Connectivity		
DIMENSIONS: INCHES		CHK -			
TOLERANCES UNLESS OTHERWISE SPECIFIED:		APVD -	PRODUCT SPEC		
0 PLC ± -		APPLICATION SPEC			
1 PLC ± -		WEIGHT -			
2 PLC ± -		SIZE A2		CAGE CODE 00779	DRAWING NO. C=583362
3 PLC ± -		CUSTOMER DRAWING		SCALE 4:1	SHEET 1 of 1
4 PLC ± -		REV B2			
ANGLES ± -					
MATERIAL PHOS. BRONZE	FINISH SEE TABLE				

583362