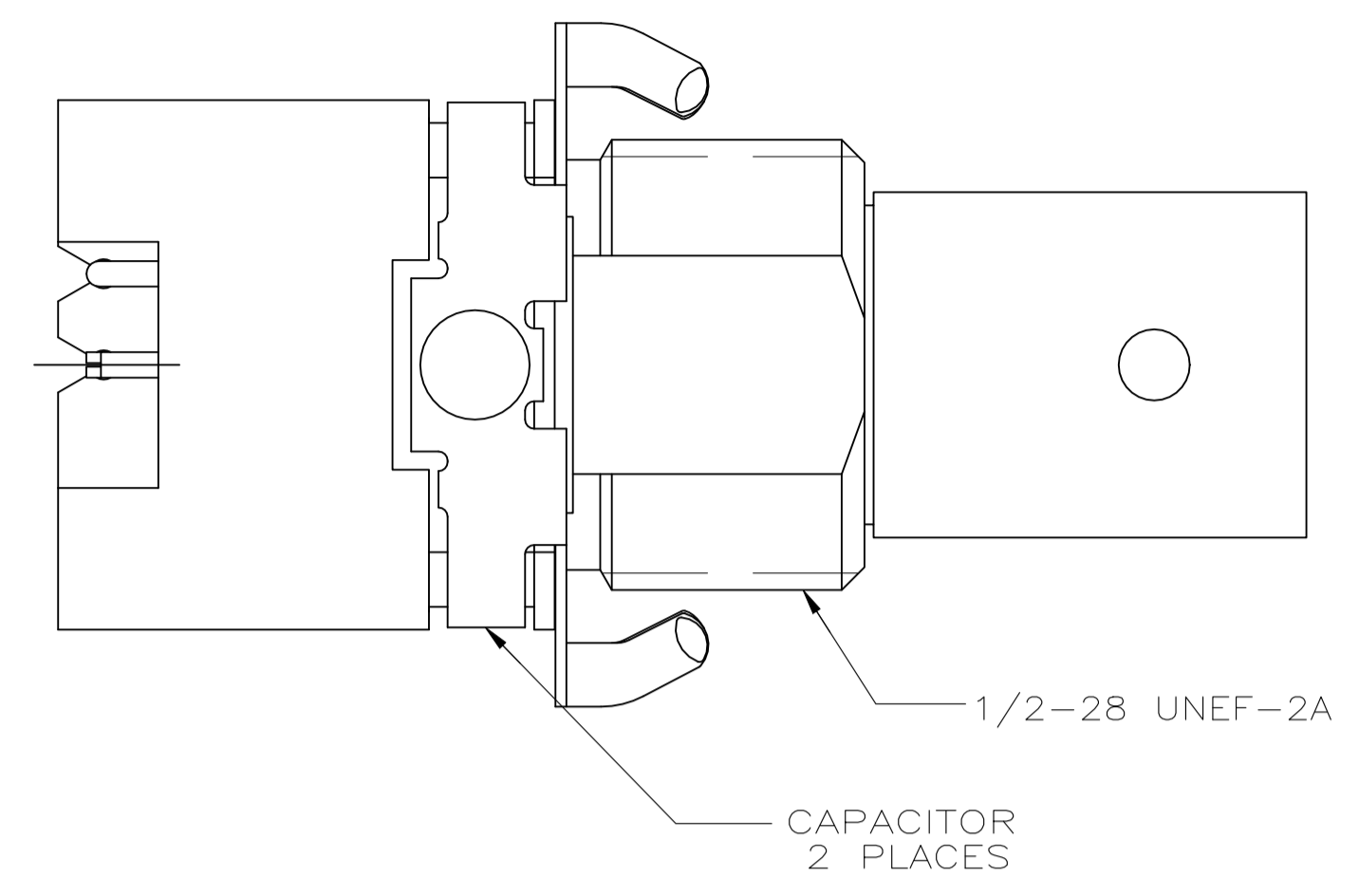
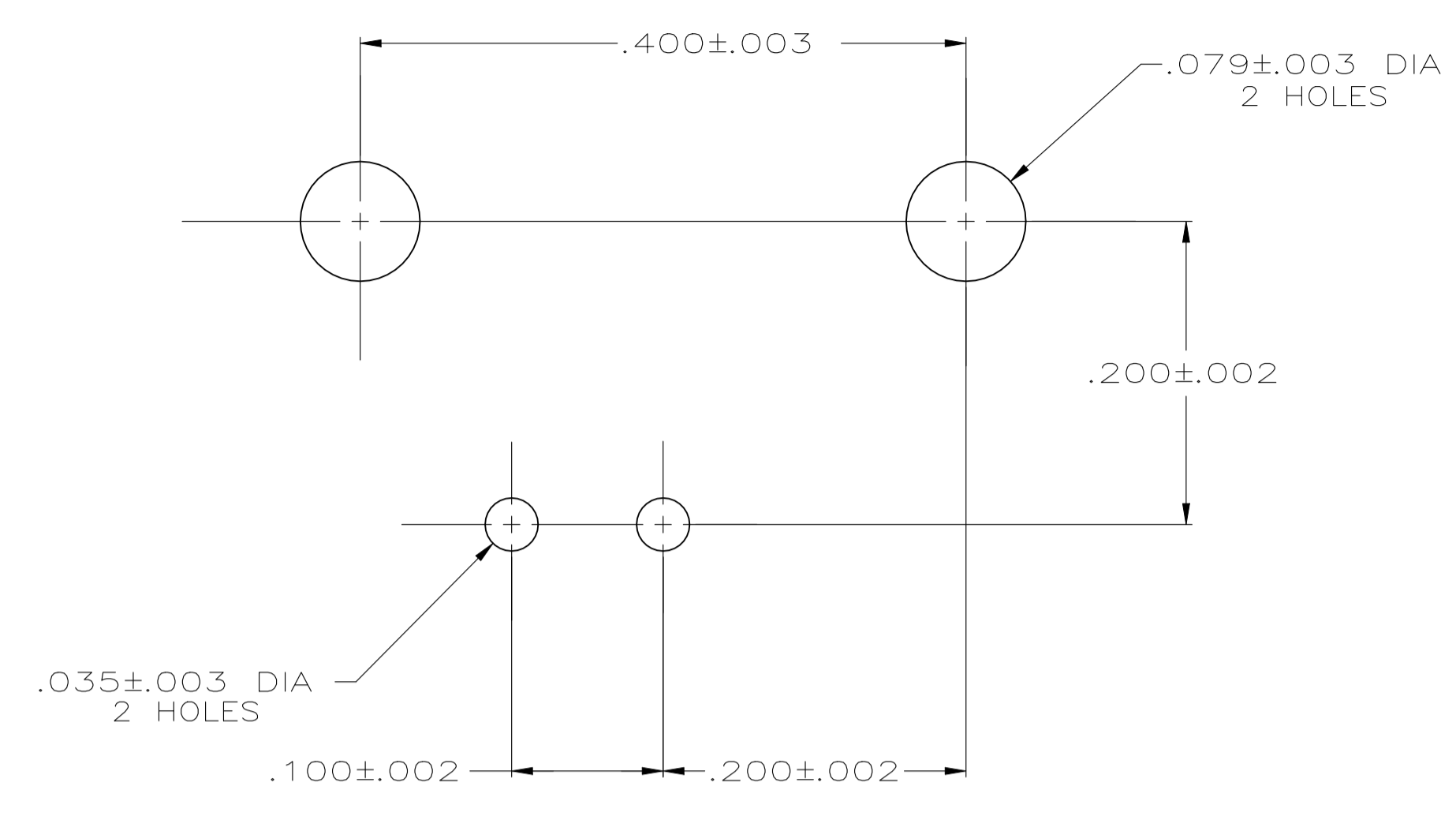
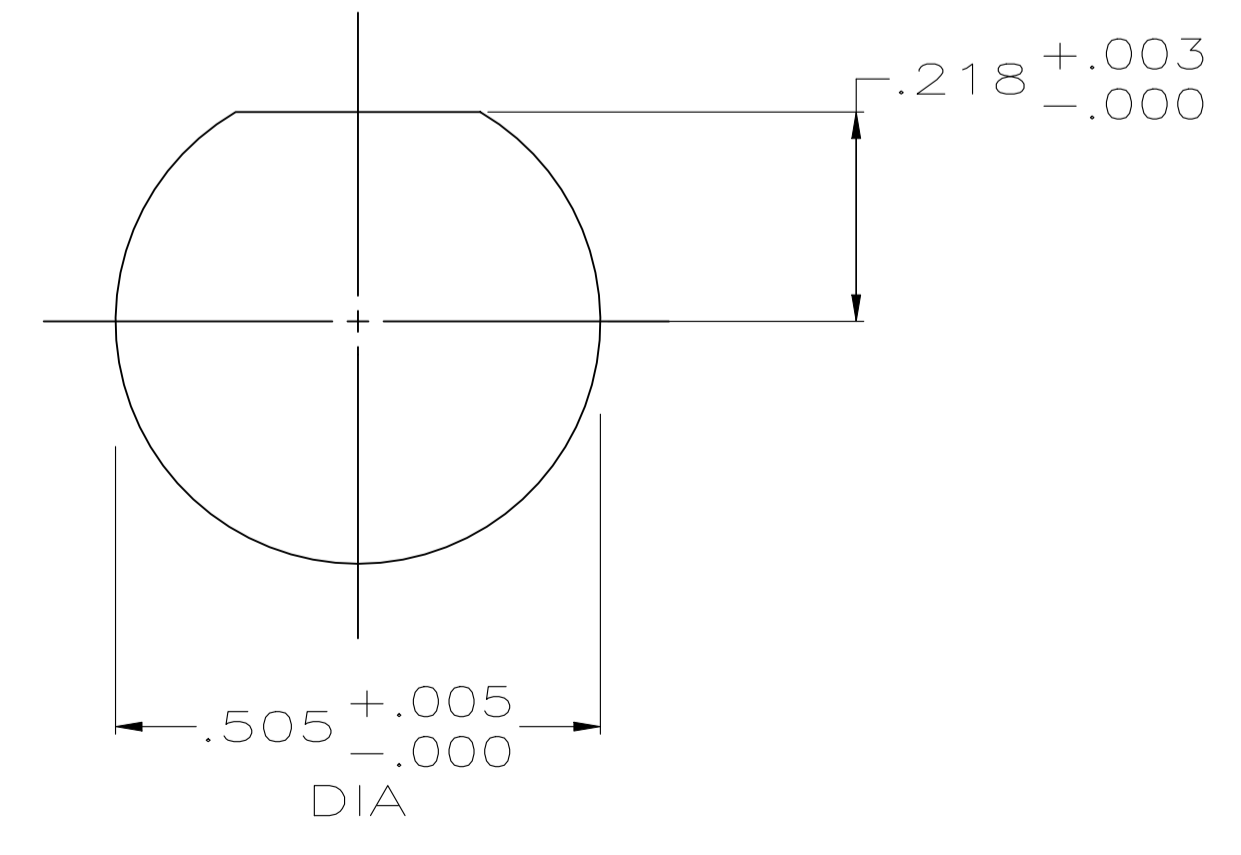
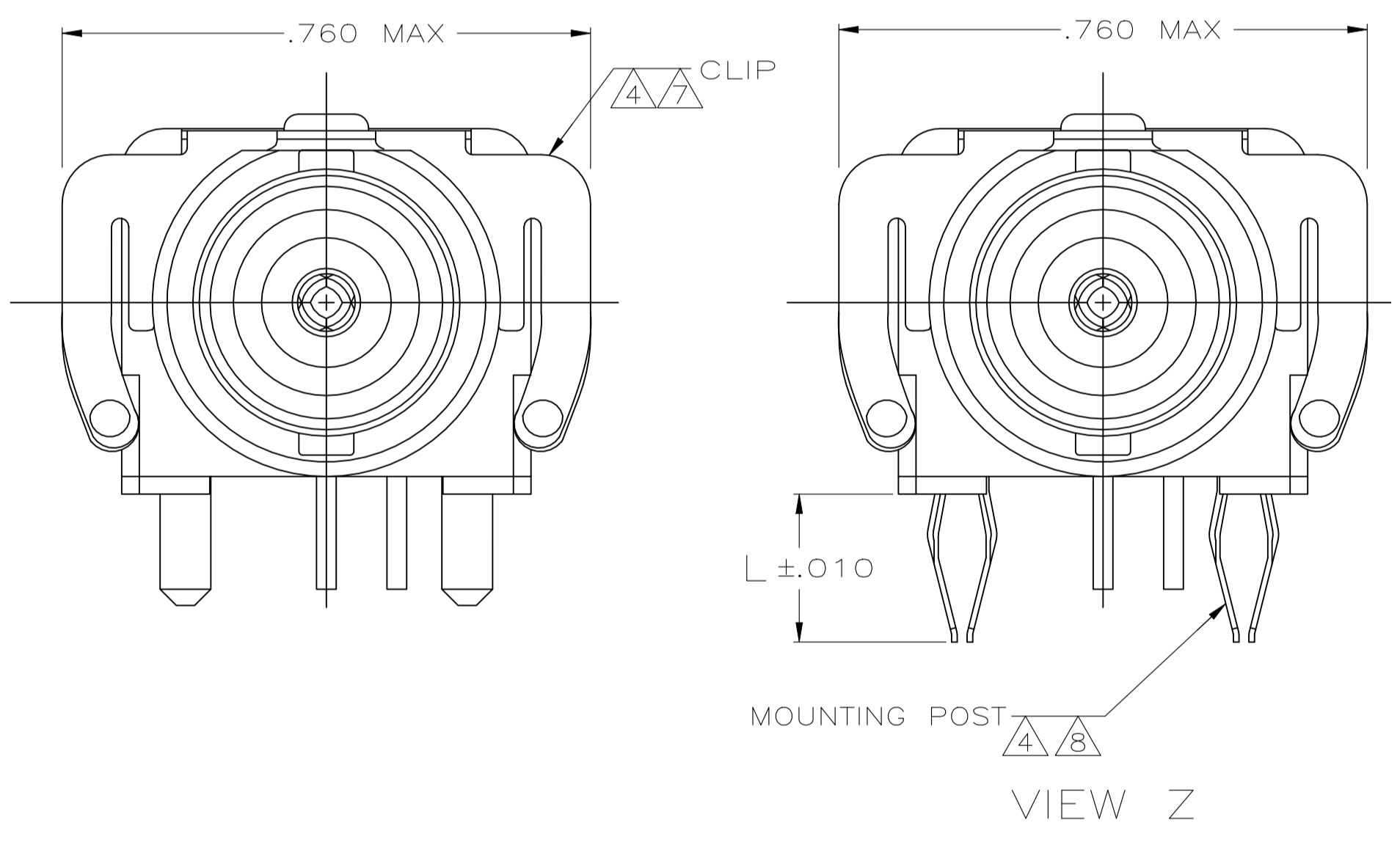
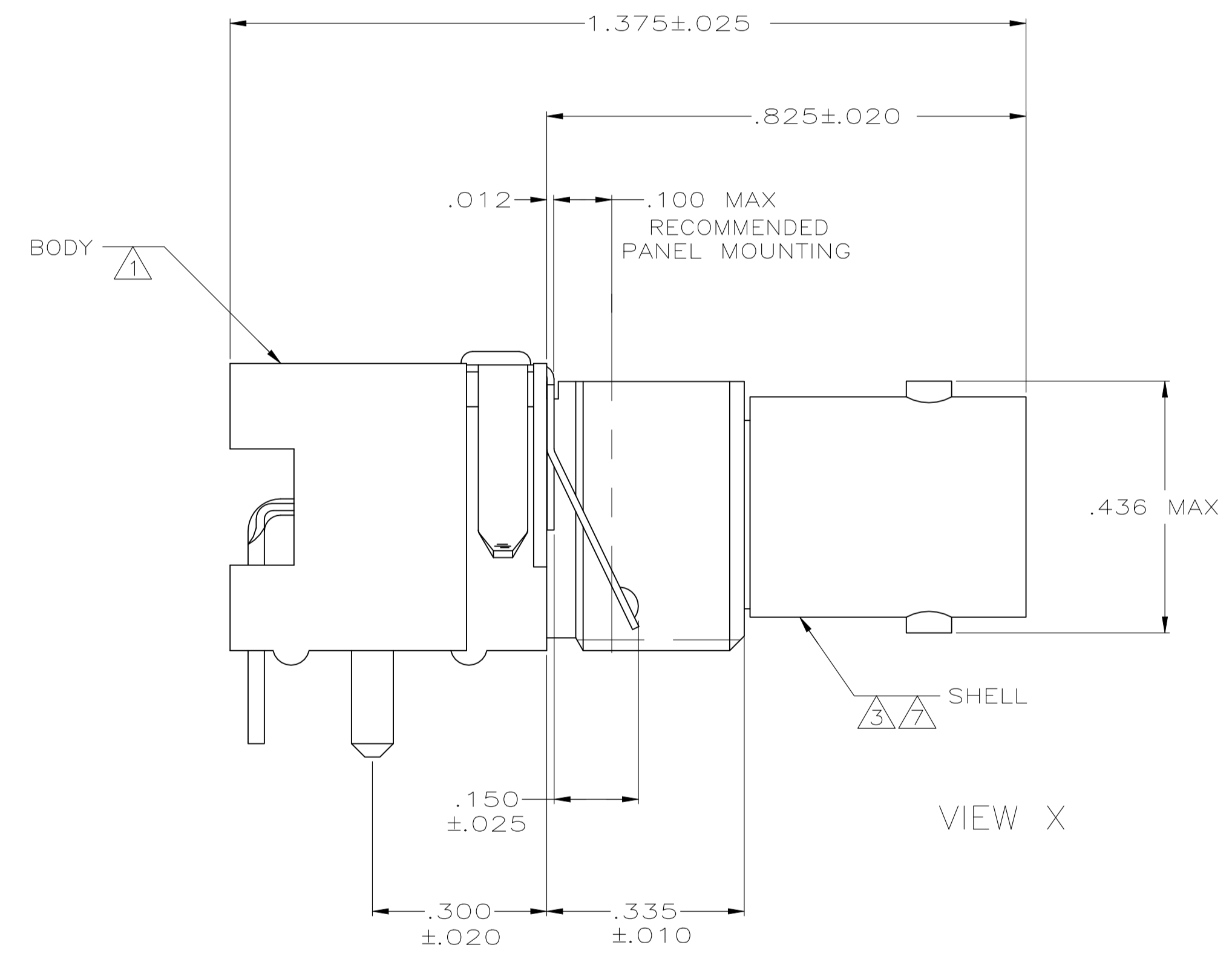
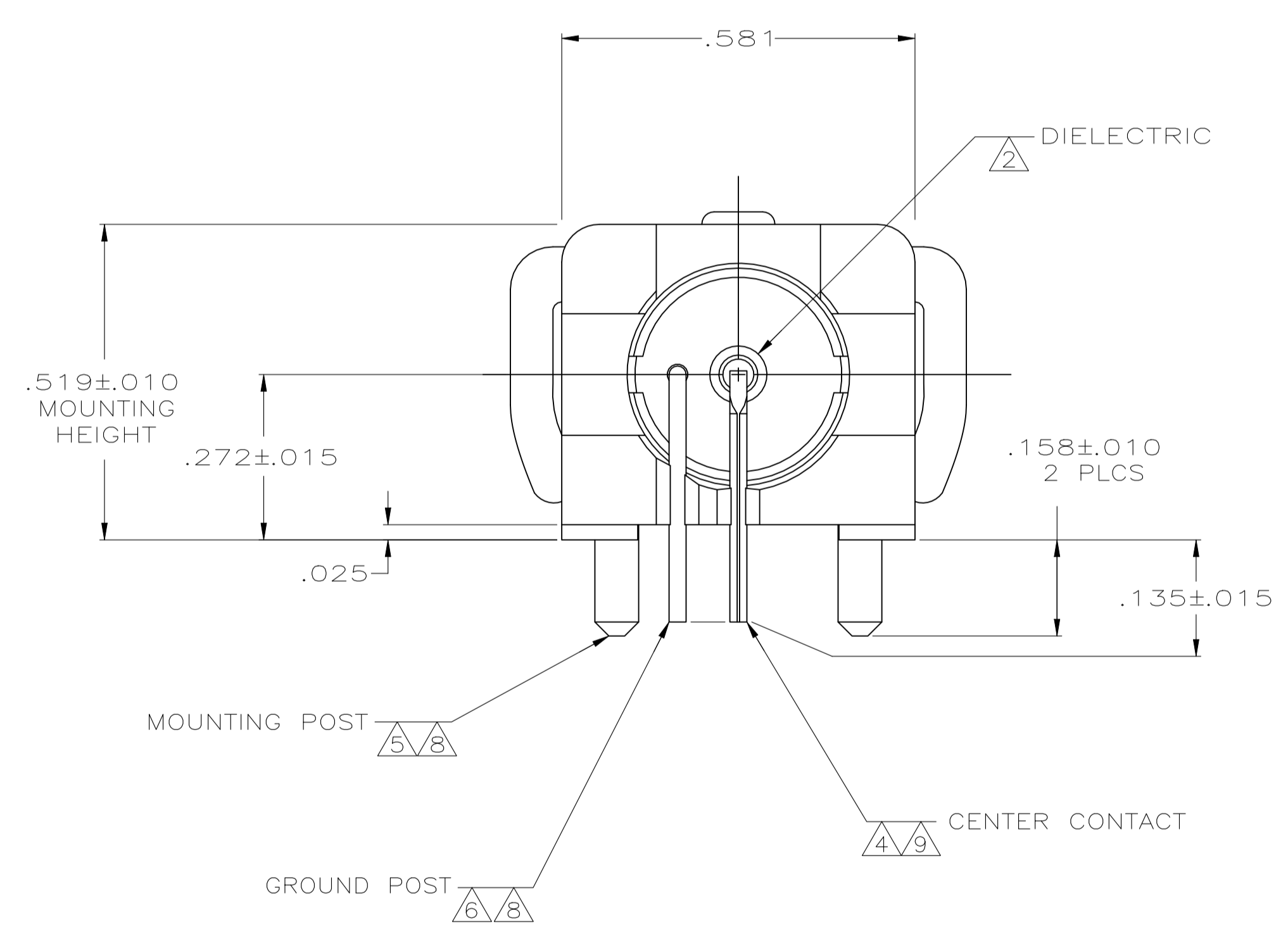


REVISIONS					
P	LTR	DESCRIPTION	DATE	DN	APVD
C5		REVISED PER ECN-22-158363	13JUN2022	RZ	WK



- 1 POLYESTER, PBT, BLACK, PER MIL-M-24519.
- 2 POLYMETHYLPENTENE GENERAL PURPOSE.
- 3 ZINC PER QQ-Z-363.
- 4 PHOSPHOR BRONZE PER QQ-B-750.
- 5 BRASS PER QQ-B-626.
- 6 BRASS PER ASTM-B-453.
- 7 NICKEL PL PER QQ-N-290.
- 8 TIN PLATE PER ASTM-B-545.
- 9 SELECTIVELY GOLD PLATED ON INTERFACE AREA PER MIL-G-45204, .000030 THK, TIN PLATED ON SOLDER TAIL PER ASTM-B-545, ALL OVER NICKEL PL PER QQ-N-290.
- 10 TRAY PACKAGING.
- 11 OBSOLETE PARTS: OBSOLETE CIS STREAMLINING PER D.RENAUD/D.SINISI



11	10	OBSOLETE	-	VIEW X	9400 pf, 1500 VDC	-1-5413515-2
		OBSOLETE	.110	VIEW Z	9400 pf, 1500 VDC	5413515-9
		OBSOLETE	.185	VIEW Z	9400 pf, 1500 VDC	-5413515-8-
		OBSOLETE	.110	VIEW Z	7900 pf, 1600 VDC	-5413515-7-
11		OBSOLETE	-	VIEW X	20000 pf, 500 VDC	-5413515-3-
		OBSOLETE	-	VIEW X	9400 pf, 1500 VDC	5413515-2

L		MOUNTING POST		CAPACITANCE & VOLTAGE		PART NO	
THIS DRAWING IS A CONTROLLED DOCUMENT.							
DIMENSIONS: INCHES		TOLERANCES UNLESS OTHERWISE SPECIFIED:		DIN L. VARELA - DOCKS 22APR2005		TE Connectivity	
0 PLC ± -		1 PLC ± -		APVD J. HAVENER 22APR2005		NAME	
2 PLC ± -		3 PLC ± .008		APVD J. LIPPERT 22APR2005		PRODUCT SPEC	
4 PLC ± -		ANGLES ± -		NAME		JACK, DECOUPLER, RIGHT ANGLE, LOW PROFILE, SERIES BNC	
MATERIAL THRU FINISH		WEIGHT		SIZE		CAGE CODE	
1 6 7 8 9		0.000000		A1		DRAWING NO	
		CUSTOMER DRAWING		00779		5413515	
				SCALE		SHEET	
				4:1		1 of 1	
						REV	
						C5	