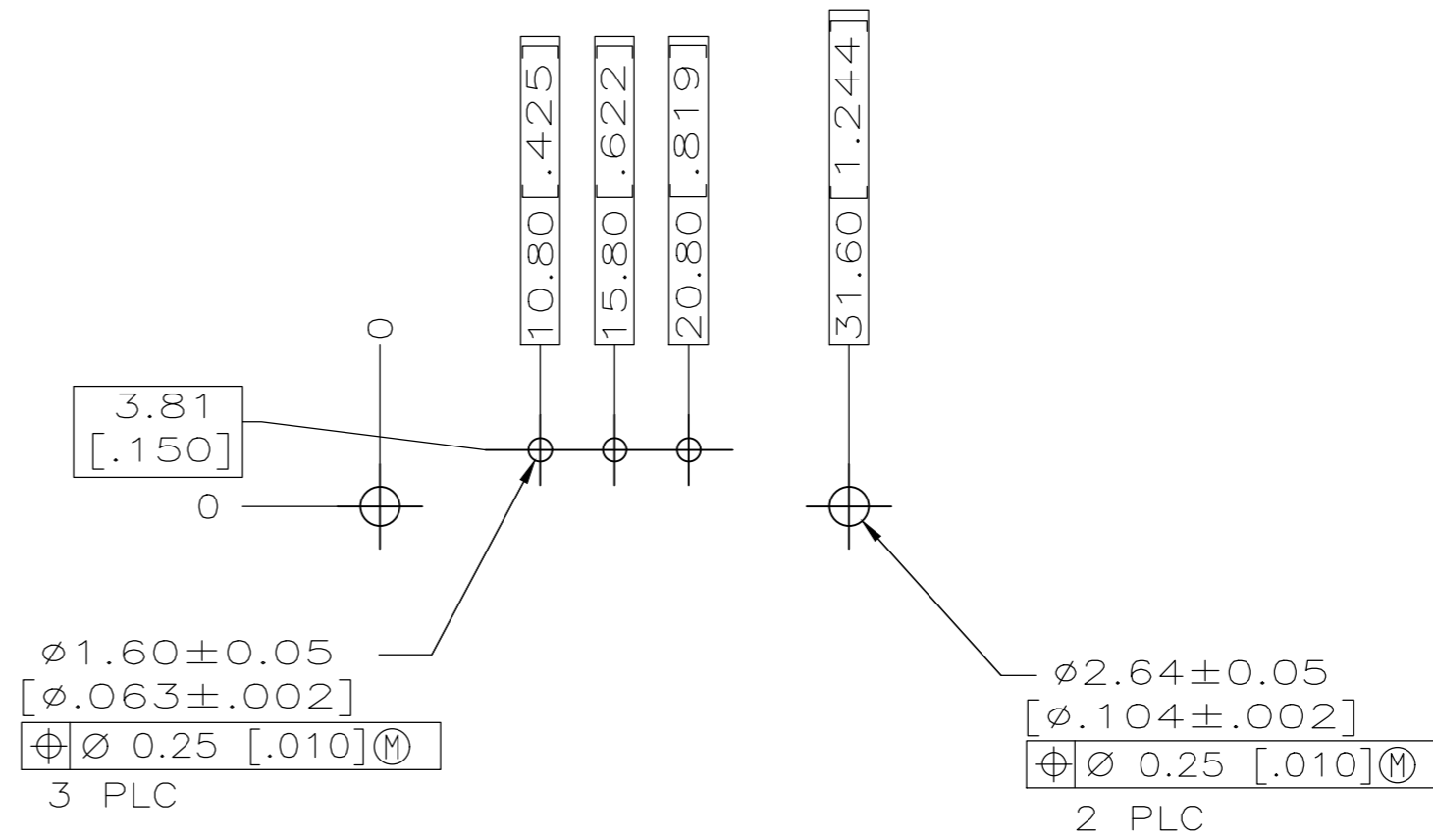
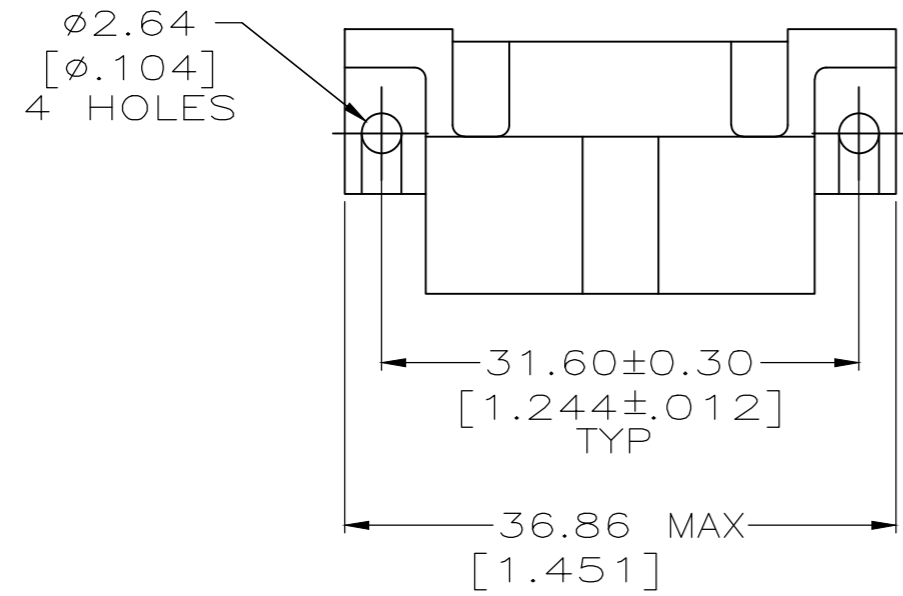
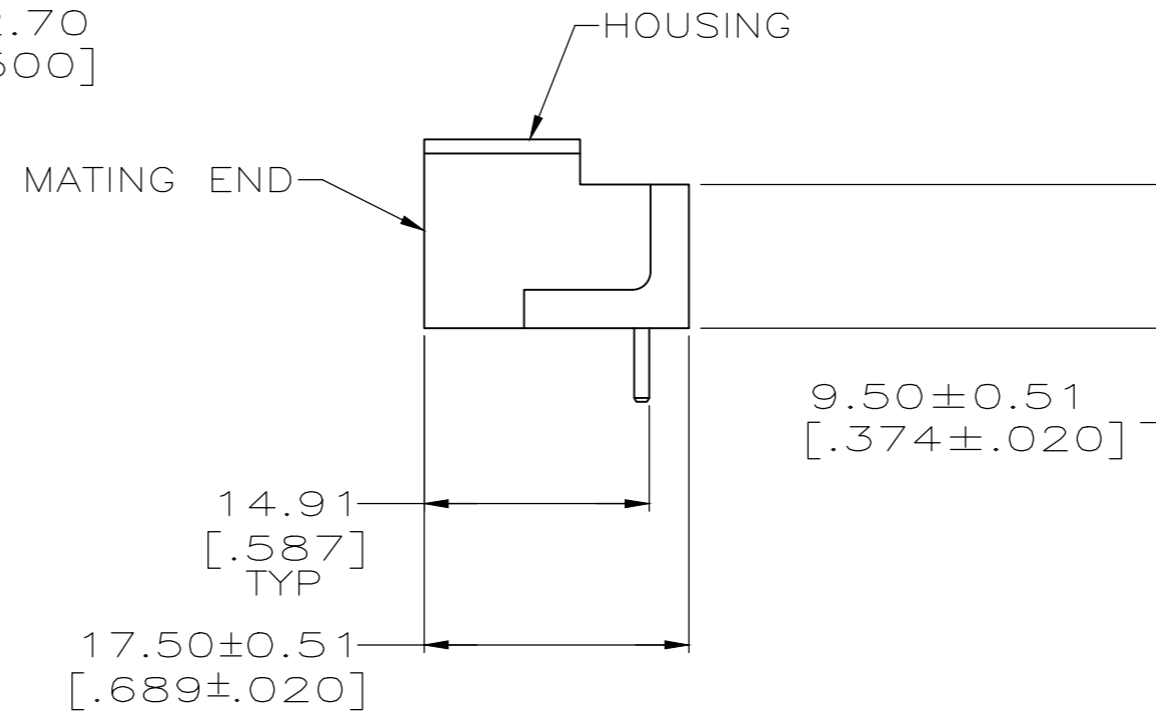
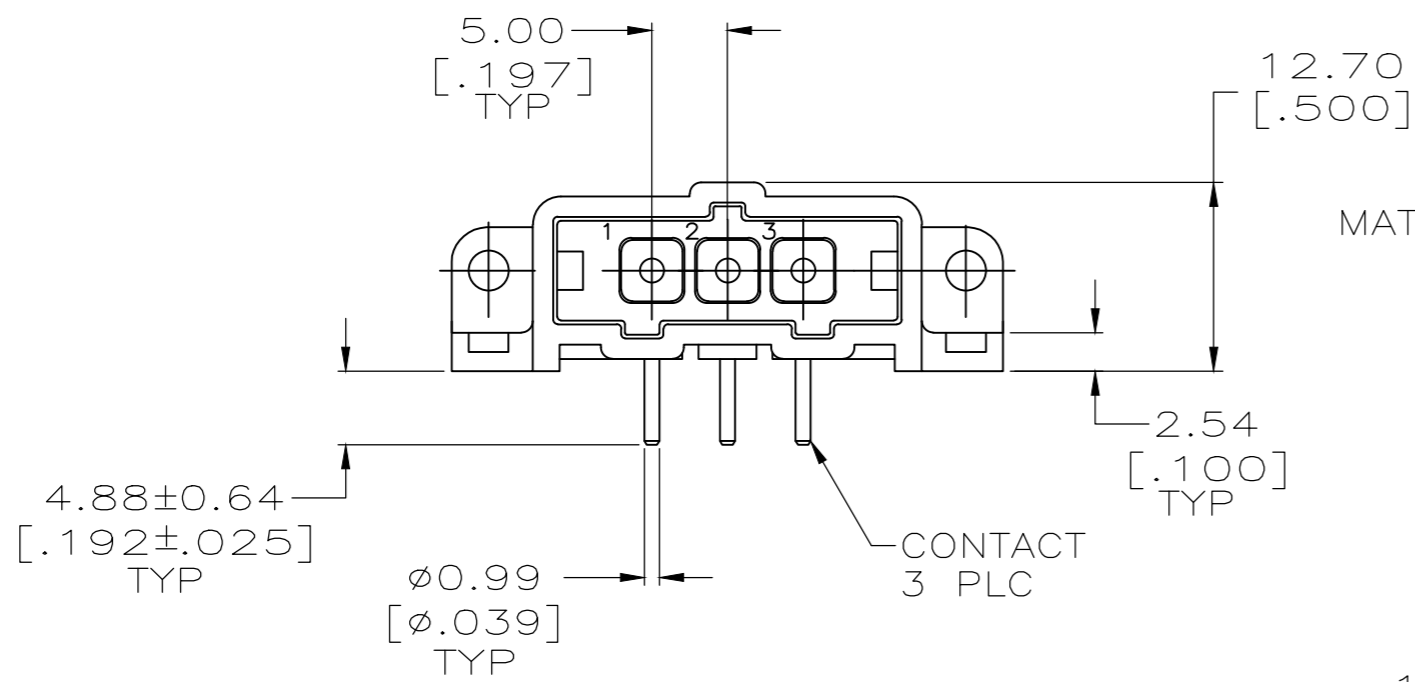


THIS DRAWING IS UNPUBLISHED. RELEASED FOR PUBLICATION  
 © COPYRIGHT - TE Connectivity Ltd. ALL RIGHTS RESERVED.

| REVISIONS |     |                           |           |     |      |
|-----------|-----|---------------------------|-----------|-----|------|
| P         | LTR | DESCRIPTION               | DATE      | DWN | APVD |
| L         |     | REVISED PER ECO-18-000443 | 19JAN2018 | RS  | MZ   |
| M         |     | REVISED PER ECO-20-001562 | 04FEB2020 | SG  | MZ   |



RECOMMENDED PC BOARD LAYOUT



- ① HOUSING MATERIAL: PA66, BLACK, UL 94 V-0 RATED.
- ② BRASS PER ASTM B36.
- ③ 3.81um [.000150] MIN TIN-LEAD OVER 2.54um [.000100] MIN COPPER OF 1.27um [.000050] MIN NICKEL.
- ④ 0.76um [.000030] MIN GOLD FOR A LENGTH OF 5.08 [.200] MIN FROM MATING END, 3.81um [.000150] MIN TIN-LEAD FOR A LENGTH OF 5.51 [.217] MIN FROM OPPOSITE END, BOTH OVER 1.27um [.000050] MIN NICKEL.
- ⑤ 3.81um [.000150] MIN TIN OVER 2.54um [.000100] MIN COPPER OF 1.27um [.000050] MIN NICKEL.
- ⑥ 0.76um [.000030] MIN GOLD FOR A LENGTH OF 5.08 [.200] MIN FROM MATING END, 3.81um [.000150] MIN TIN FOR A LENGTH OF 5.51 [.217] MIN FROM OPPOSITE END, BOTH OVER 1.27um [.000050] MIN NICKEL.

| FINISH | PART NUMBER |
|--------|-------------|
| ⑥      | 207541-7    |
| ⑤      | 207541-6    |
| ④      | 207541-3    |
| ③      | 207541-1    |

|   |  |                     |  |                 |                     |
|---|--|---------------------|--|-----------------|---------------------|
| THIS DRAWING IS A CONTROLLED DOCUMENT.  |  | DWN L.SIPE 07/07/92 | TE Connectivity Ltd.   |                 |                     |
| DIMENSIONS: mm [INCHES]   |  | CHK R.STONE 7-24-92 |  |                 |                     |
| TOLERANCES UNLESS OTHERWISE SPECIFIED:  |  | APVD -              | NAME   |                 |                     |
| 0 PLC ± -<br>1 PLC ± -<br>2 PLC ± 0.25 [.010]<br>3 PLC ± -<br>4 PLC ± -<br>ANGLES ± - |  | PRODUCT SPEC -      | PIN HEADER ASSY, 3 POSN, IN-LINE, RIGHT ANGLE, SMALL METRIC CONNECTOR, METRIMATE |                 |                     |
| MATERIAL HOUSING: ① CONTACTS: ②   |  | APPLICATION SPEC -  | SIZE A2  | CAGE CODE 00779 | DRAWING NO C=207541 |
| FINISH CONTACTS: SEE TABLE  |  | WEIGHT -            | SCALE 2:1  | SHEET 1 of 1    | REV M               |
| CUSTOMER DRAWING  |  |                     | RESTRICTED TO -  |                 |                     |