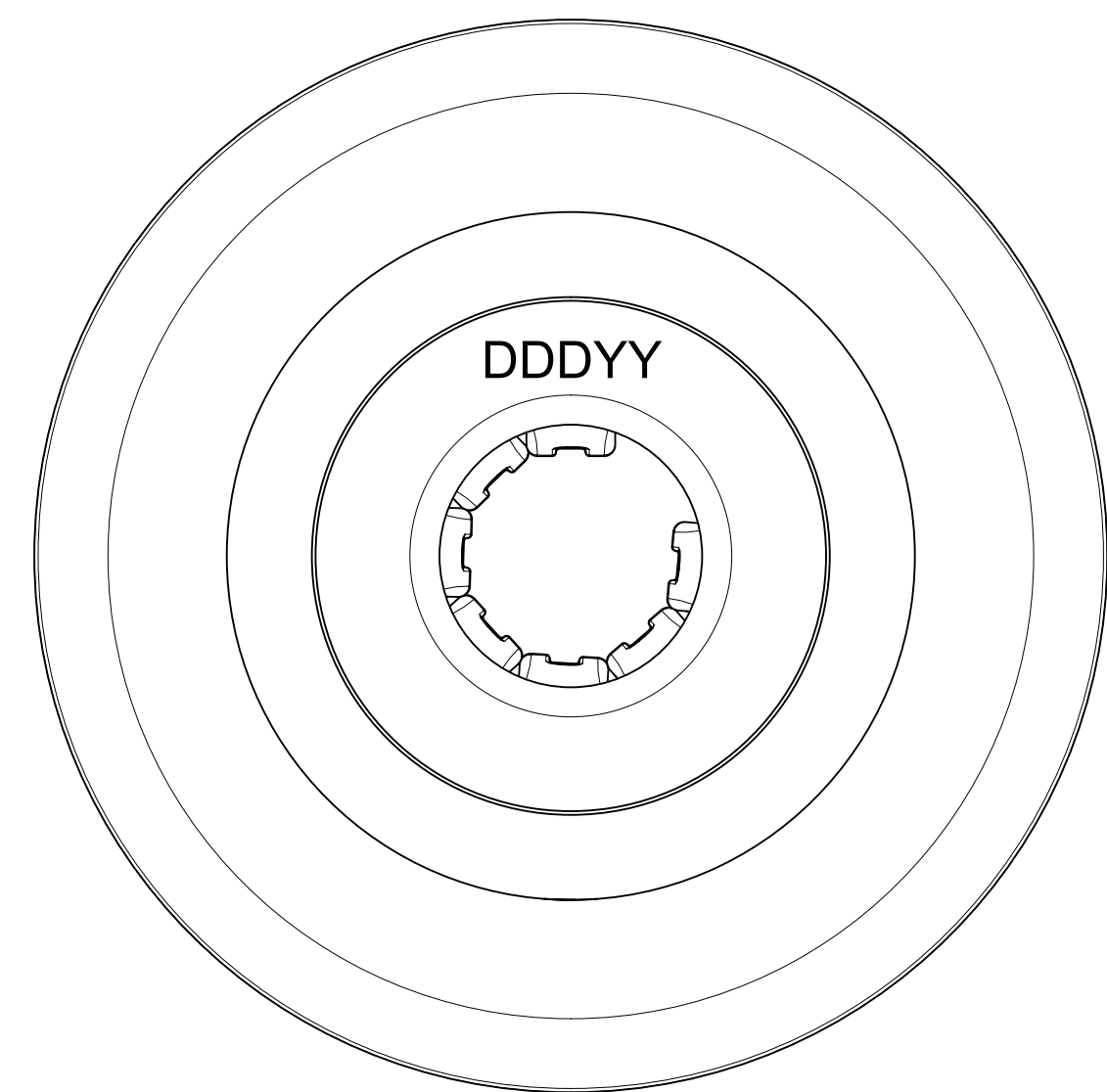
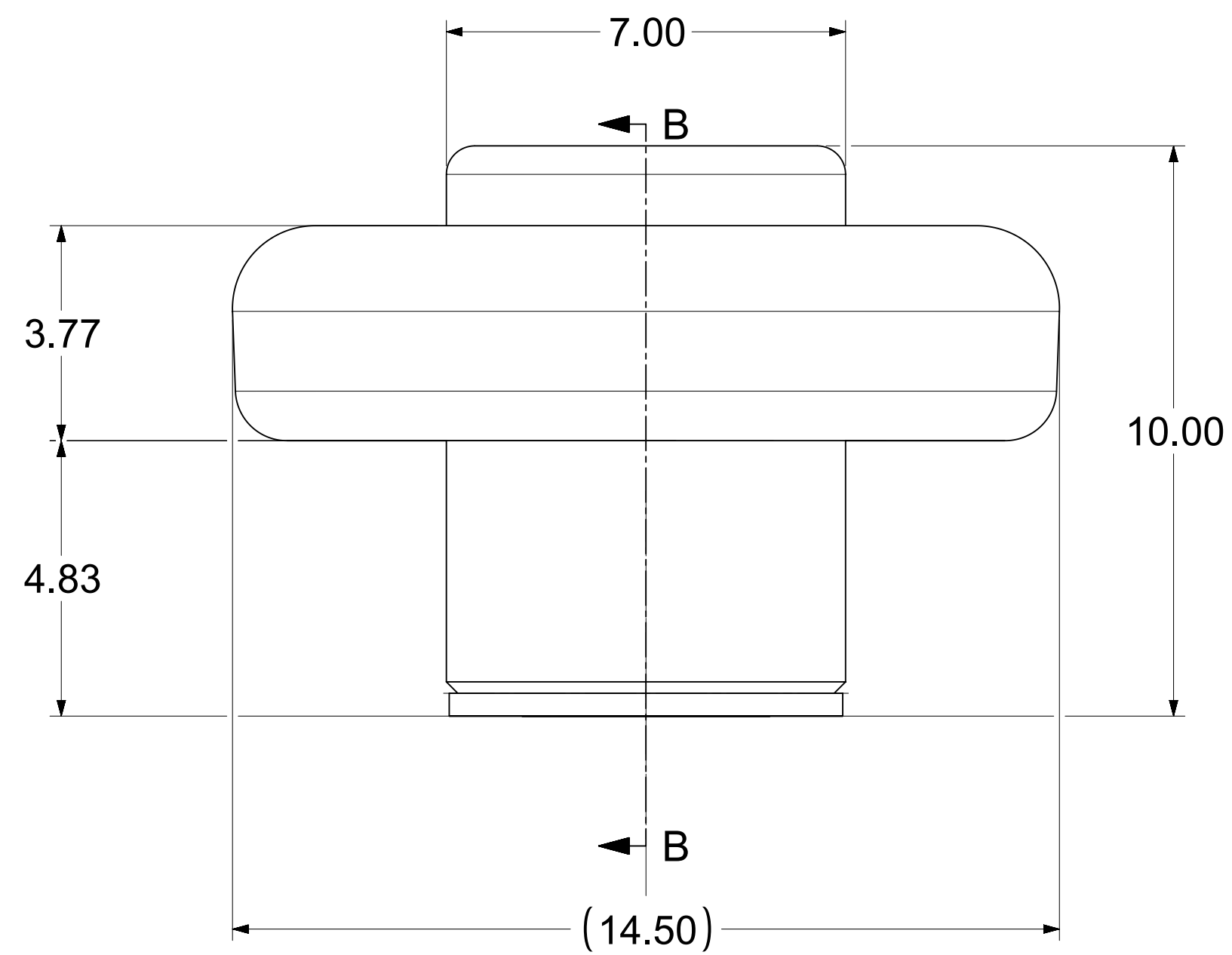
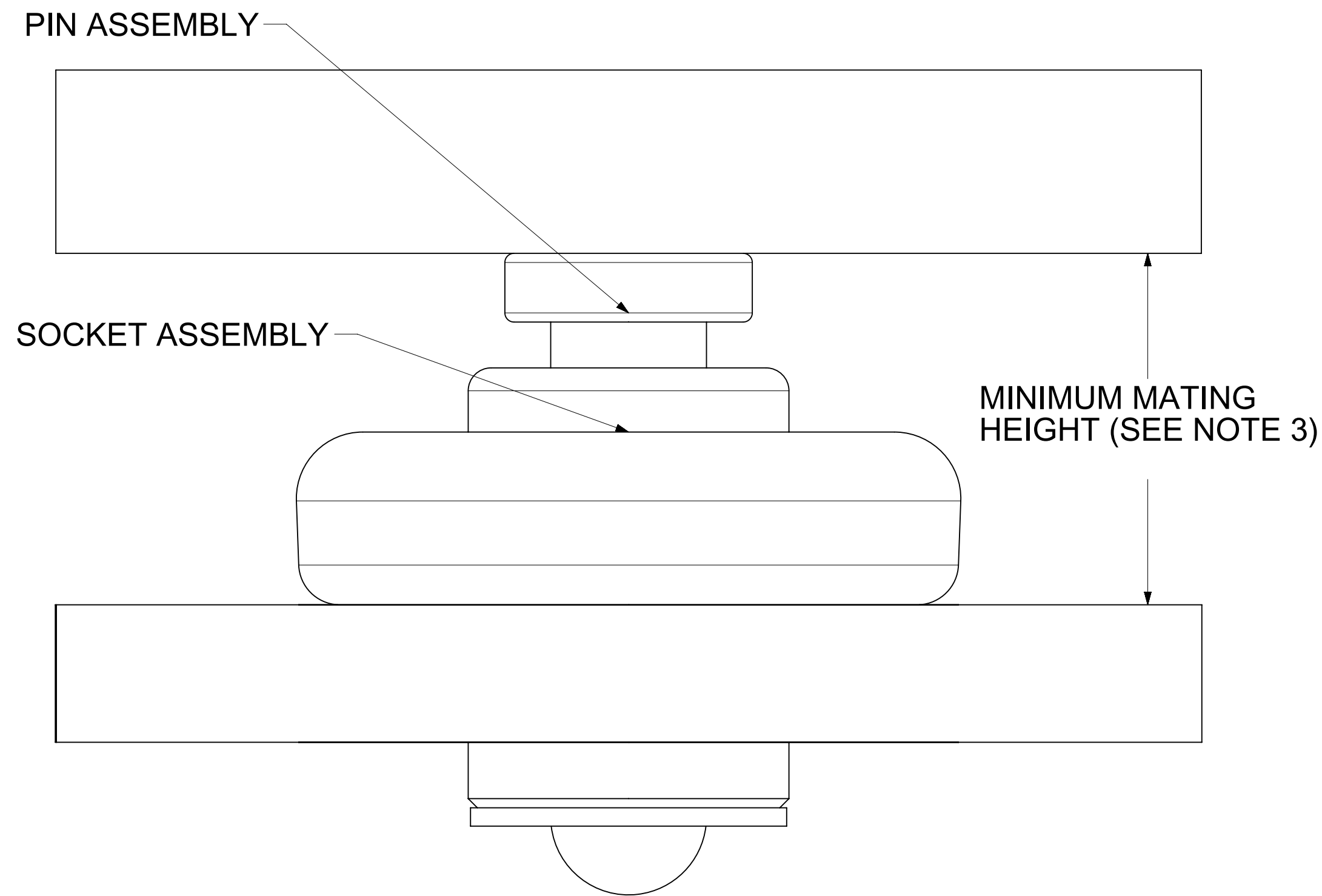
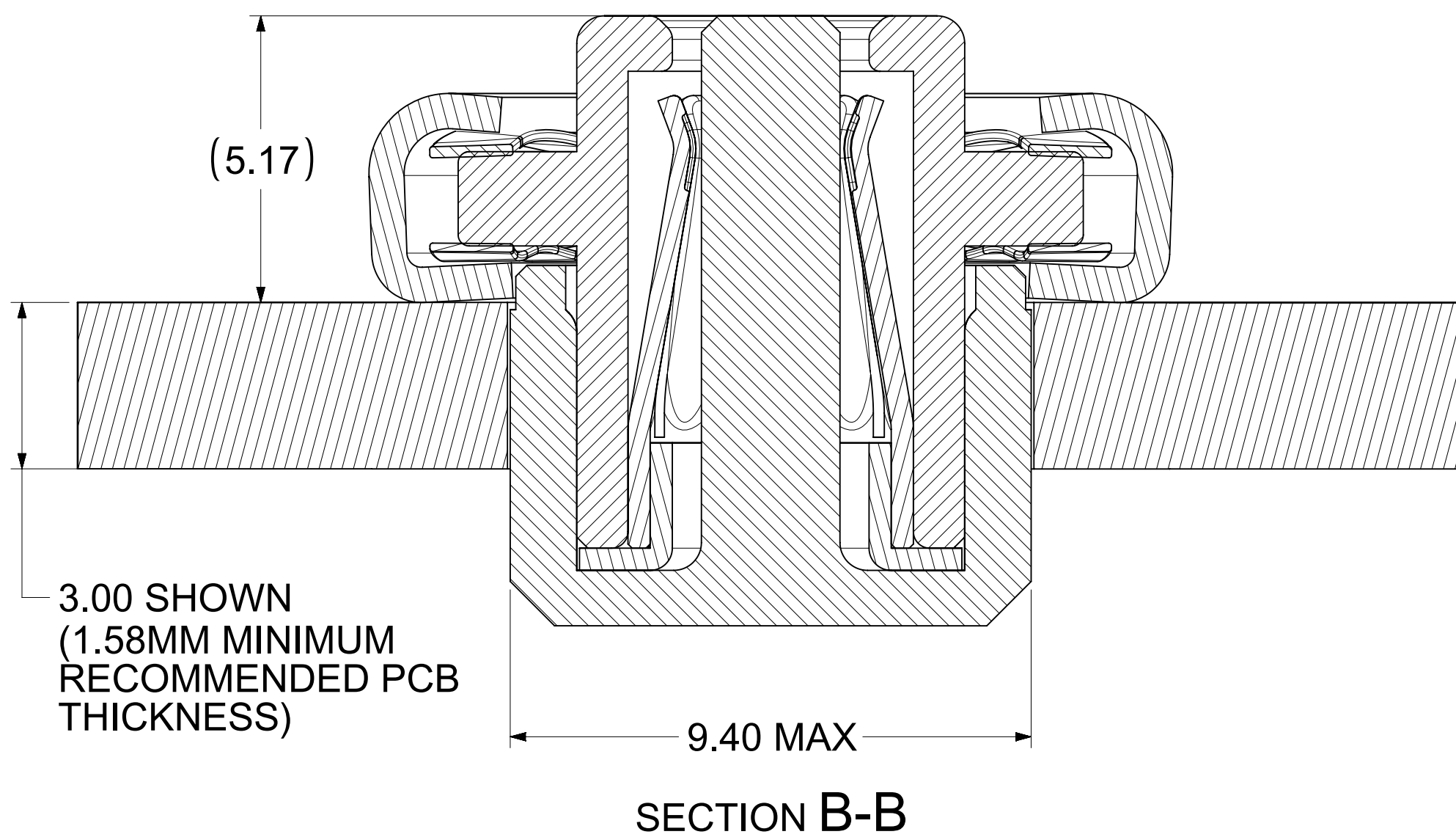
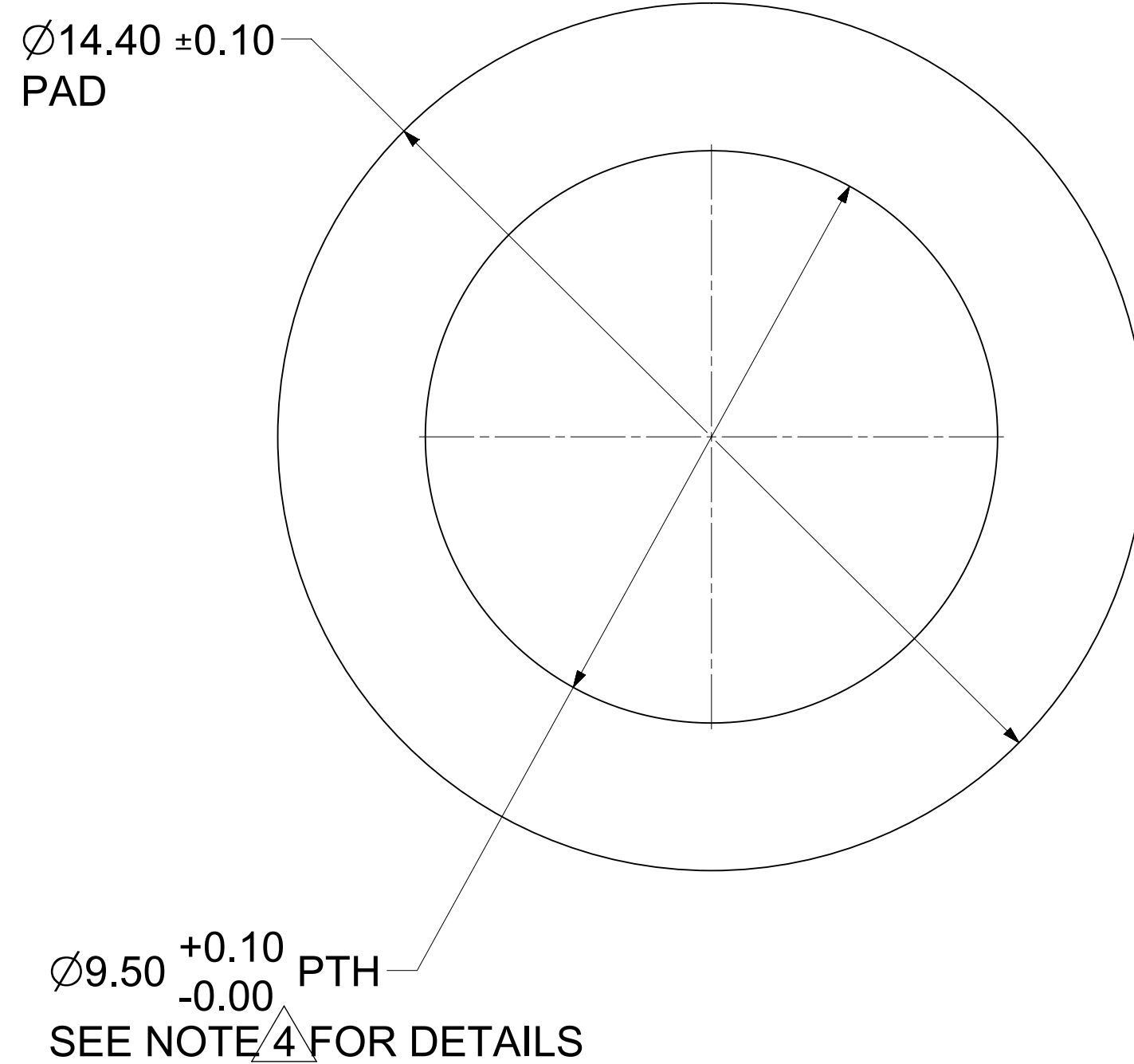


REMOVABLE  
PICK AND PLACE  
CAP SHOWN



### RECOMMENDED PCB LAYOUT



### MATING PROFILE

#### NOTES:

1. MATERIALS:  
RETENTION CAP: STAINLESS STEEL  
PICK AND PLACE CAP: LCP UL94, V-0 COLOR BLACK  
BASE METAL: HIGH CONDUCTIVE COPPER ALLOY  
PLATING ON CONTACTS: 0.75 MICRON MIN GOLD OVER 1.27 MICRON MIN NICKEL  
PLATING ON BODY: 3.18 MICRON MIN SILVER OVER 1.27 MICRON MIN NICKEL
2. MATES WITH THE STANDARD PIN DRAWINGS:  
i. 3.4MM SMT DRAWING 2032631134-SD, MIN. MATE DISTANCE 7.92  
ii. 3.4MM PRESS FIT DRAWING 2032630034-SD, MIN. MATE DISTANCE 7.67MM
3. PRODUCT SPECIFICATION: 2043130018-PS
4. APPLICATION SPECIFICATION: 2043130018-AS
5. PACKAGING SPECIFICATION: 2043130018-PK
6. SILVER COMPONENTS WILL BE SUPPLIED TARNISH FREE BUT MAY TARNISH OVER TIME.
7. PICK AND PLACE CAP TO BE REMOVED AFTER SOLDERING. CAP TO BE PUSHED OUT OF BOTTOM FROM THE TOP.
8. DATE CODE TO BE LASER MARKED APPROXIMATELY WHERE SHOWN USING DDDYY FORMAT

THIS DRAWING CONTAINS INFORMATION THAT IS PROPRIETARY TO MOLEX ELECTRONIC TECHNOLOGIES, LLC AND SHOULD NOT BE USED WITHOUT WRITTEN PERMISSION									
DIMENSION UNITS <b>mm</b>		SCALE <b>NTS</b>		CURRENT REV DESC:					
GENERAL TOLERANCES (UNLESS SPECIFIED)				<div style="text-align: center;"><b>molex</b></div> <p>3.4MM COEUR SMT OMNIGLIDE</p> <p>PRODUCT CUSTOMER DRAWING</p>					
ANGULAR TOL		± 0.5°							
4 PLACES		±							
3 PLACES		±							
2 PLACES		± 0.15							
1 PLACE		± 0.25		EC NO: 663471		DRWN: RLOW		2021/04/27	
0 PLACES		±		CHK'D: JJONIAK		APPR: JJONIAK		2021/05/11	
DRAFT WHERE APPLICABLE MUST REMAIN WITHIN DIMENSIONS				THIRD ANGLE PROJECTION		DRAWING		SERIES	
D-DRAWING		D-SIZE		204365		MATERIAL NUMBER		CUSTOMER	
P1		RELEASE DATE		2021/05/11		2043650018-SD		GENERAL MARKET	
16:48:49		PSD		000		B1		SHEET NUMBER	
								1 OF 1	