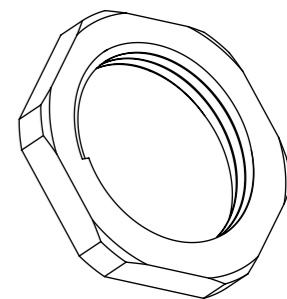
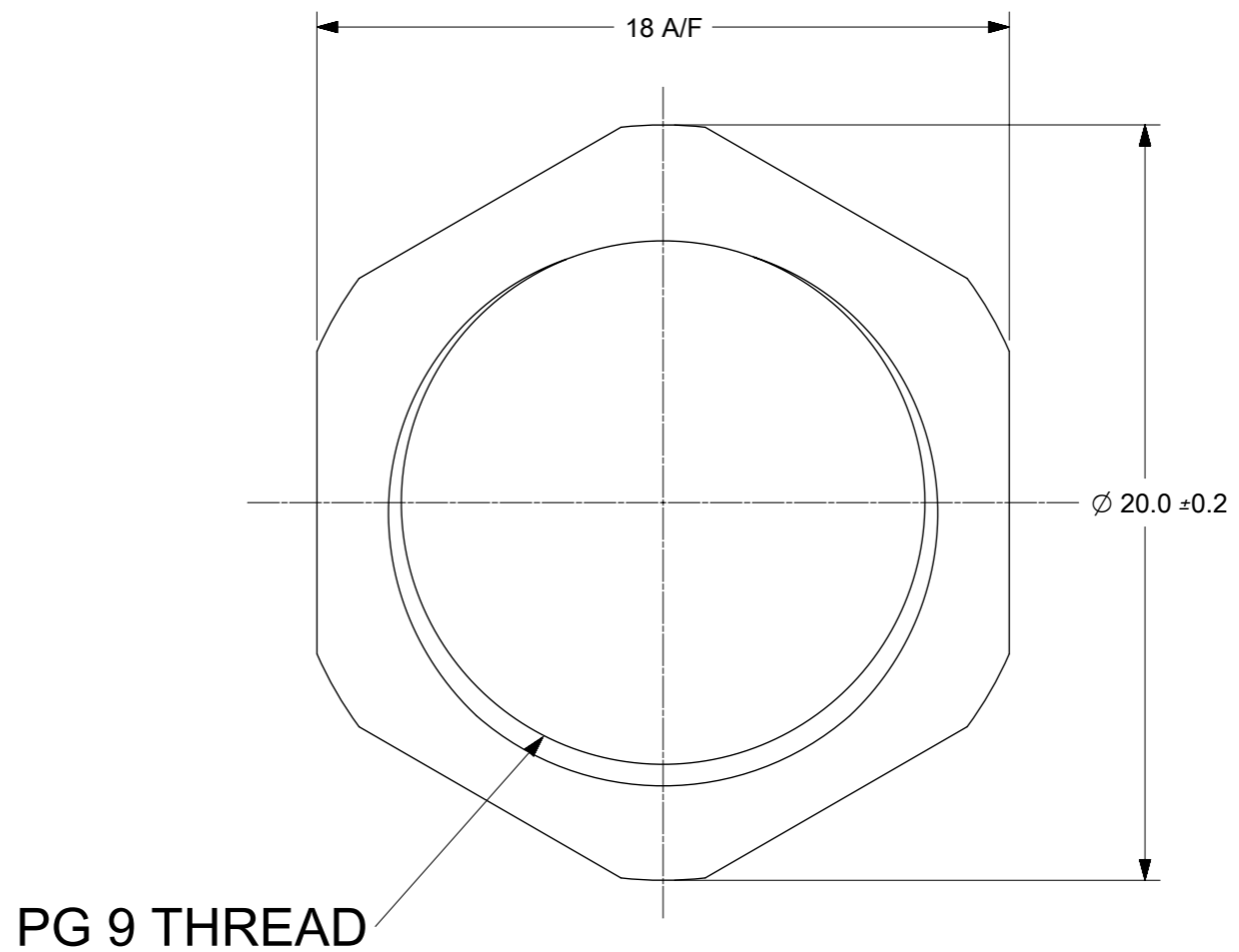
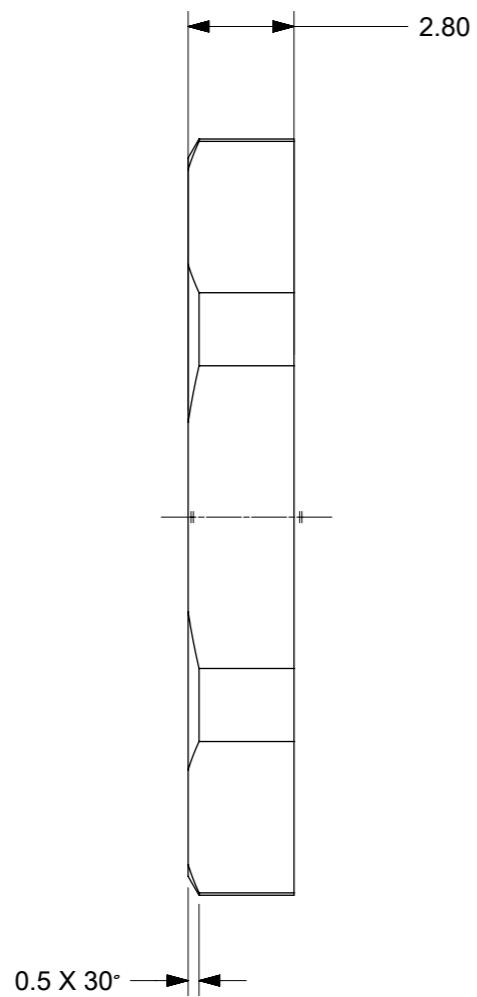


MATERIAL: BRASS, NICKEL PLATED



SCALE 2:1

THIS DRAWING CONTAINS INFORMATION THAT IS PROPRIETARY TO MOLEX INCORPORATED AND SHOULD NOT BE USED WITHOUT WRITTEN PERMISSION											
EC DESCRIPTION EC NO: 104940 DRWN: BBRAUCH CHK'D: CBRUNS APPR: CBRUNS	2016/05/12 2016/05/12 2016/05/12	QUALITY SYMBOLS	GENERAL TOLERANCES (UNLESS SPECIFIED)		DIMENSION UNITS	SCALE					
		▽ = 0	ANGULAR TOL ± 1.0 °		mm	5:1					
		▽ = 0	4 PLACES ±	DRWN BY	DATE	NUT PG9 BRASS NI HEX					
		▽ = 0	3 PLACES ±	BBRAUCH	2016/05/12						
		▼ = 0	2 PLACES ± 0.1	CHK'D BY	DATE	PRODUCT CUSTOMER DRAWING					
▽ = 0	1 PLACE ± 0.25	CBRUNS	2016/05/12								
□ = 0	0 PLACES ± 0.5	APPR BY	DATE	SERIES	MATERIAL NUMBER	CUSTOMER					
■ = 0	DRAFT WHERE APPLICABLE MUST REMAIN WITHIN DIMENSIONS	CBRUNS	2016/05/12	120329	1203290012						
▽ = 0		DRAWING SIZE	THIRD ANGLE PROJECTION	DOCUMENT NUMBER		DOC TYPE	DOC PART	SHEET NUMBER			
A	REV	A3		1203290012		PSD	000	1 OF 1			